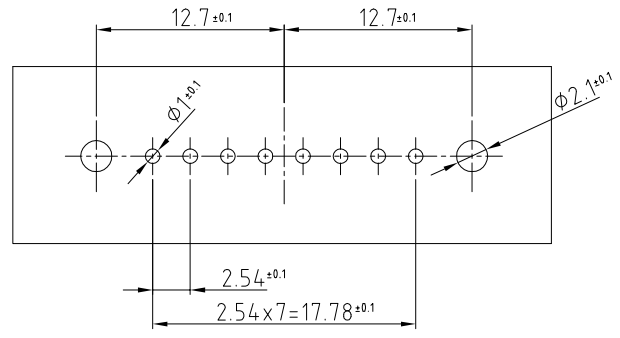
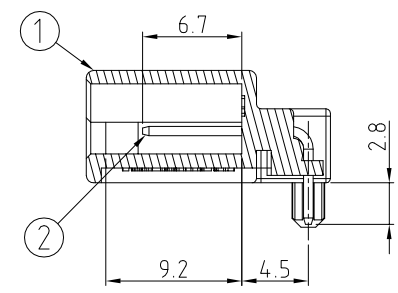
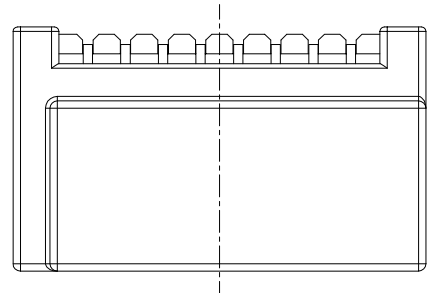
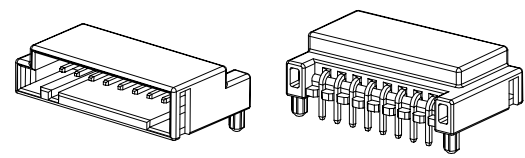
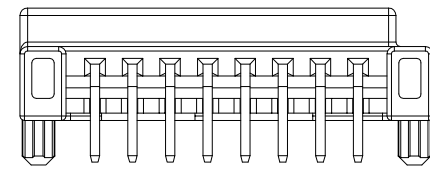
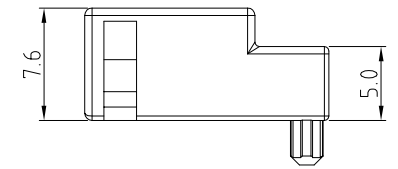
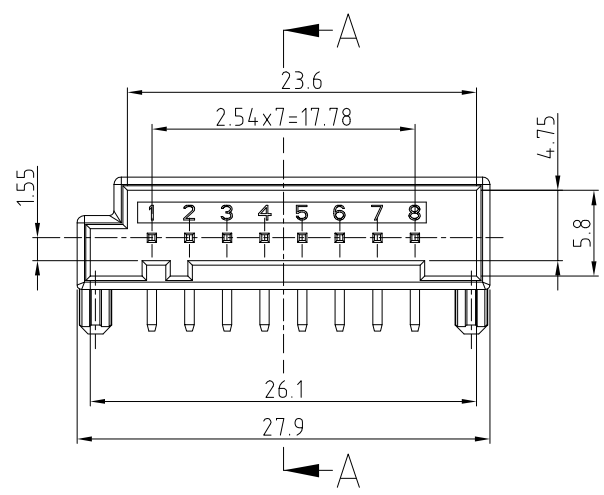


THIS DRAWING IS UNPUBLISHED. RELEASED FOR PUBLICATION
 © COPYRIGHT BY TYCO ELECTRONICS CORPORATION, ALL RIGHTS RESERVED.

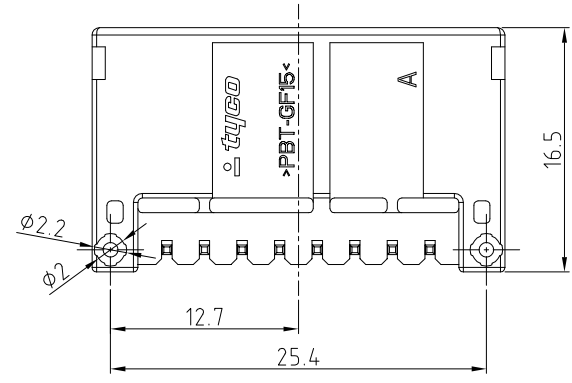
REVISIONS					
P	LTR	DESCRIPTION	DATE	DWN	APVD
	A	RELEASED	01/JUN/'05	SB	CS
	B	REVIIESE (ECR-05-005668)	22/DEC/'05	SB	JK
	B1	REVISED (ECR-15-006375)	05.NOV.'14	JM	HG
	B2	REVISED (ECR-16-004470)	17.FEB.'16	EW	KT



KEY CODINGS (TABLE 1.)	
TYPE A	TYPE B



3D VIEW
SCALE 1/1



NOTES.

1. APPLIED MATING CONNECTOR P/N ; X-1743282-X

NO.	DESCRIPTION	CODE	MATERIAL	COLOR/FINISH	Q'TY					
					ASS'Y P/N	0-1743284-1	2-1743284-2	1-1743284-2	1-1743284-3	1-1743284-6
2	0.63 CONTACT	-	BRASS	SELECTIVE GOLD	-	-	-	-	-	8
	0.63 CONTACT	-	COPPER ALLOY	POST TIN	-	8	-	-	-	-
	0.63 CONTACT	-	COPPER ALLOY	POST TIN	8	-	8	8	8	-
1	HDR HSG	B	PBT-GF15	RED	-	-	-	-	1	-
	HDR HSG	B	PBT-GF15	LIGHT GRAY	-	-	-	1	-	-
	HDR HSG	B	PBT-GF15	BLACK	-	-	1	-	-	-
	HDR HSG	A	PBT-GF15	BLACK	-	1	-	-	-	-
	HDR HSG	A	PBT-GF15	NATURAL	1	-	-	-	-	1

DIMENSIONS: mm	TOLERANCES UNLESS OTHERWISE SPECIFIED:
	DECIMALS : ± 0.3 ANGLES : ± 3°
MATERIAL SEE TABLE	FINISH SEE TABLE

DWN : EW CHUN
 CHK : YD. LEE
 APVD : KT LIM
 PRODUCT SPEC -
 APPLICATION SPEC -
 WEIGHT -

TE TE Connectivity

NAME
MQS PIN HEADER ASS'Y, 8 POS

SIZE CAGE CODE DRAWING NO RESTRICTED TO
 A3 00779 C- 1743284 -

CUSTOMER DRAWING SCALE 2 : 1 SHEET 1 OF 1 REV B2

X-ON Electronics

Largest Supplier of Electrical and Electronic Components

Click to view similar products for [Automotive Connectors](#) category:

Click to view products by [TE Connectivity](#) manufacturer:

Other Similar products are found below :

[003-018-000](#) [60403001](#) [60993906-B](#) [M902-2131](#) [M902-2161](#) [72.330.1035.1](#) [73.353.4028.0](#) [F119300-B](#) [F166900](#) [F258300-B](#) [F358300-B](#)
[F407400](#) [F444110](#) [F487000](#) [F509500B-B](#) [827153-1](#) [8N1515-32-24P](#) [9-1326729-8](#) [925474-1](#) [928905-1](#) [964562-4](#) [968782-1](#) [GT17SA-8DS-](#)
[HU](#) [98891-1012](#) [98947-1016](#) [12004147](#) [12004475-L](#) [12010290](#) [12010309-B](#) [12015454](#) [12020219-B](#) [12020308](#) [12041318-B](#) [12052225-L](#)
[12052466](#) [12059125](#) [12064869](#) [12004327-B](#) [12010503-B](#) [12015308](#) [12015384](#) [12015909](#) [1-21030-1](#) [12041254](#) [12041318](#) [12047946-B](#)
[12047957](#) [12047957-L](#) [12059473](#) [12066261](#)