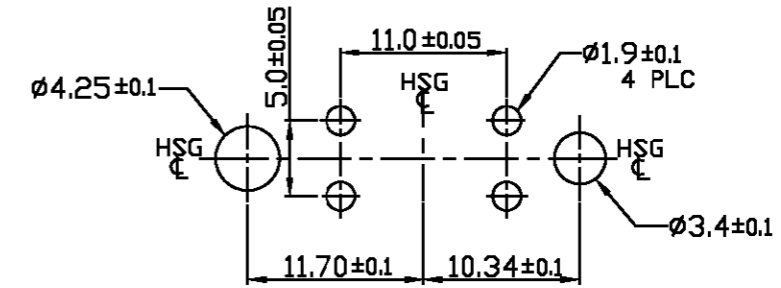
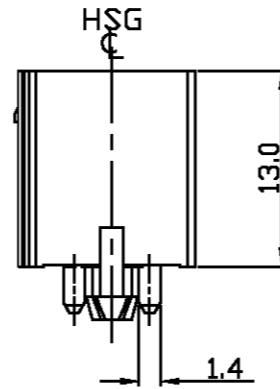
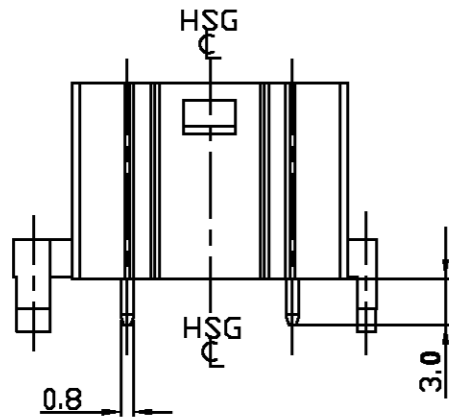
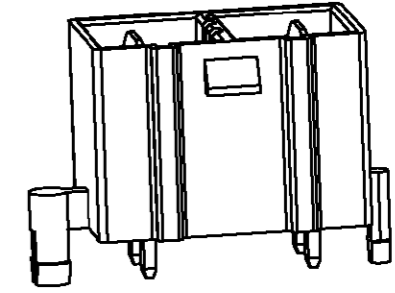
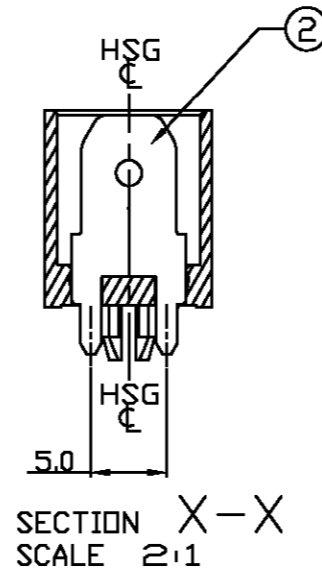
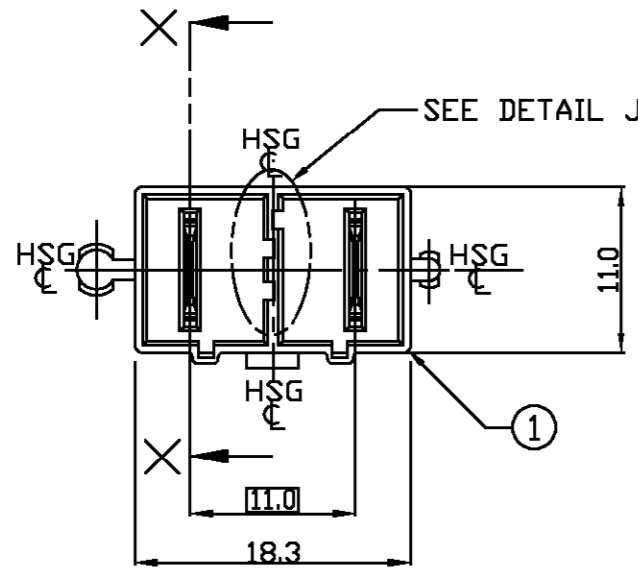


LOC	DIST	REVISIONS					
		P	LTR	DESCRIPTION	DATE	DWN	APVD
DS		A		RELEASED	19.JUL'05	SC	JK



RECOMMENDED P.C.B LAYOUT

NOTES

- GENERAL TOLERANCES: ±0.25, ±2°
- KEYING TYPE: SEE TABLE 1
- MATING PLUG HSG P/N: 1743419-□

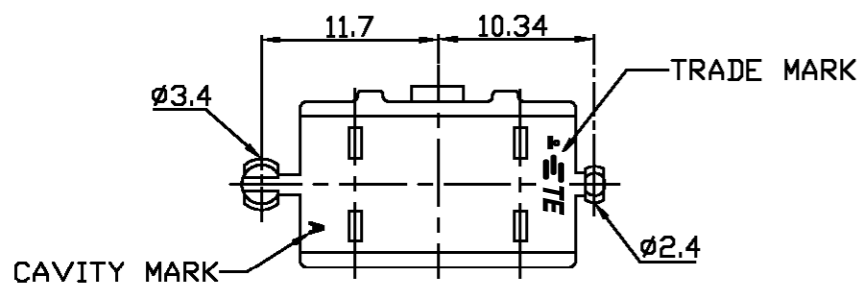


TABLE 1 (SEE DETAIL J)

TYPE	A	B	C	D
KEYING LOCATION				

TABLE 2

ITEM	DESCRIPTION	MATERIAL
①	250 2P HDR HSG(11mm Pitch)	6/6 NYLON
②	TERMINAL FOR 250 2P HSG	BRASS

D	BLUE	1743330-6
C	YELLOW	1743330-4
B	RED	1743330-2
A	NATURAL	1743330-1
△TYPE	COLOR	ASS'Y P/N

<small>THIS DRAWING IS A CONTROLLED DOCUMENT FOR TYCO ELECTRONICS CORPORATION. IT IS SUBJECT TO CHANGE AND THE CONTROLLING ENGINEERING ORGANIZATION SHOULD BE CONTACTED FOR THE LATEST REVISION.</small>		DWN: SC KIM CHK: BW KANG APVD: JK SONG PRODUCT SPEC: 108-61068 APPLICATION SPEC:		<b>tyco</b> Electronics AMP KOREA, kyungsan, korea	
DIMENSIONS: MM TOLERANCES UNLESS OTHERWISE SPECIFIED: 0 <XX<10 10 <XX<30 30 <XX<		3rd ANGLE PROJECTION		NAME: 250 2P HDR ASS'Y (11mm Pitch)	
MATERIAL: SEE TABLE 2 FINISH:		WEIGHT:		SIZE: A3 CAGE CODE: 00779 DRAWING NO: 1743330 RESTRICTED TO:	
		SCALE: 2/1		SHEET: 1 OF 1	
				REV: A	

## X-ON Electronics

Largest Supplier of Electrical and Electronic Components

*Click to view similar products for [Power to the Board](#) category:*

*Click to view products by [TE Connectivity](#) manufacturer:*

Other Similar products are found below :

[6450171-4](#) [6450552-7](#) [6600323-8](#) [6643429-1](#) [6646040-2](#) [6651939-1](#) [6766604-1](#) [120959-1](#) [1393557-2](#) [1393532-2](#) [1393532-3](#) [1393532-4](#)  
[1393557-1](#) [1600812-5](#) [1-6450861-2](#) [1744132-7](#) [1761122-1](#) [1766250-1](#) [1892109-1](#) [2-6450860-5](#) [2-6450870-0](#) [1-6450161-4](#) [1-6450850-6](#) [1-6450869-6](#) [1645526-2](#) [1-6600130-0](#) [2005243-2](#) [377-0020-11130](#) [TE34-12-16P-F0](#) [5-6450830-6](#) [5646956-4](#) [377-0080-11131A](#) [4-6450830-9](#)  
[4-6600333-3](#) [10125416-4050LF](#) [6600320-3](#) [3-6450860-5](#) [1888123-2](#) [6450166-1](#) [6643978-1](#) [6766605-1](#) [701-15-02109](#) [N11444](#) [6651938-1](#)  
[6450810-7](#) [46437-1112](#) [1-1589677-8](#) [5646956-5](#) [6450813-2](#) [6450129-4](#)