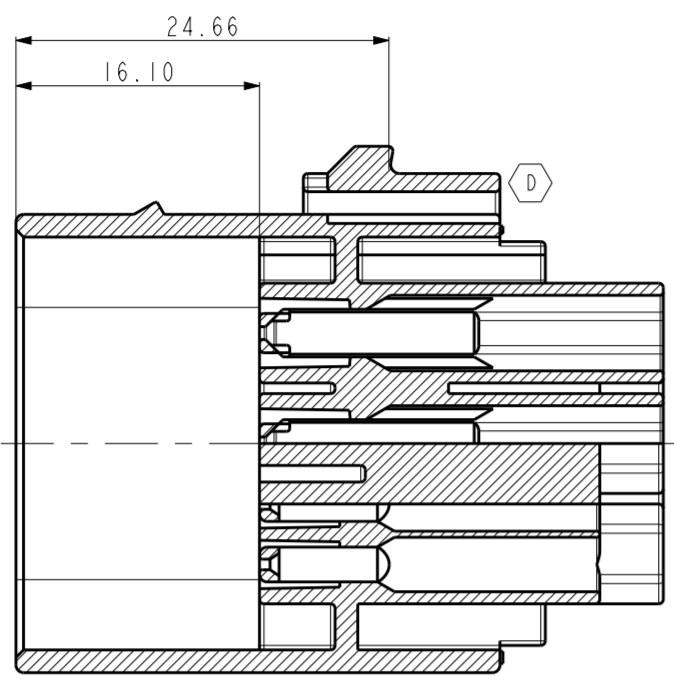
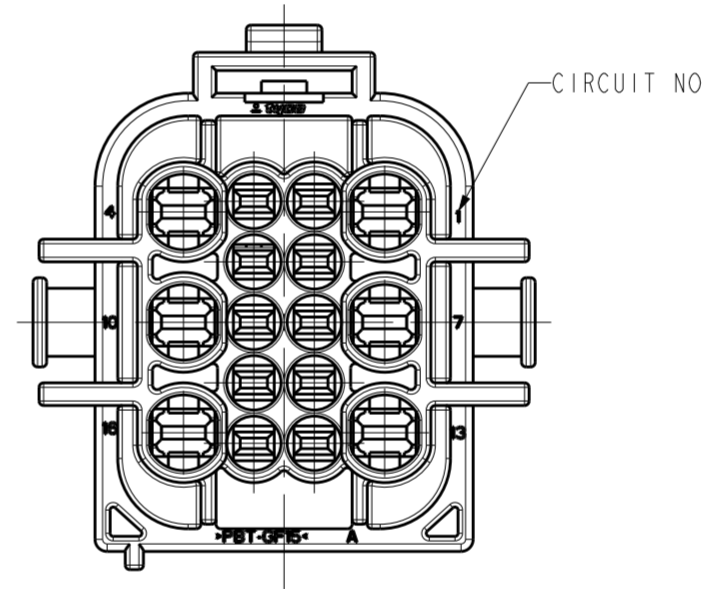
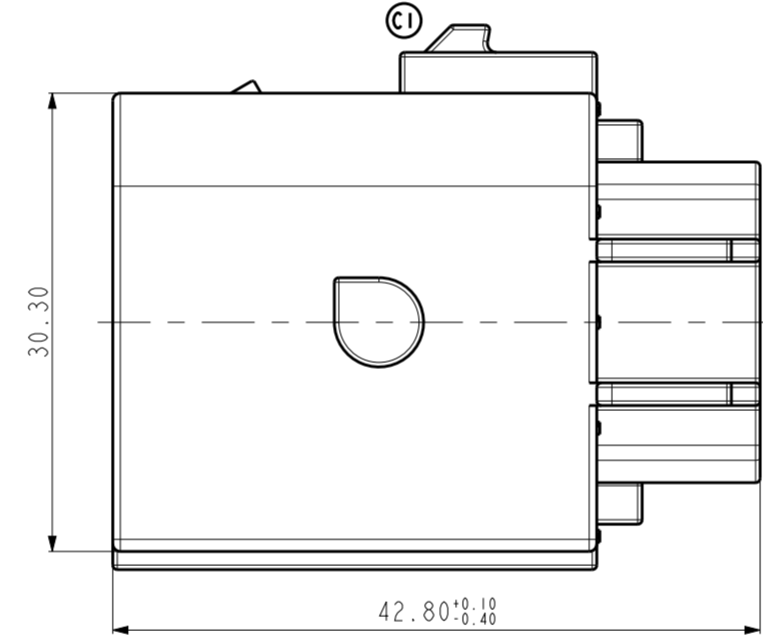
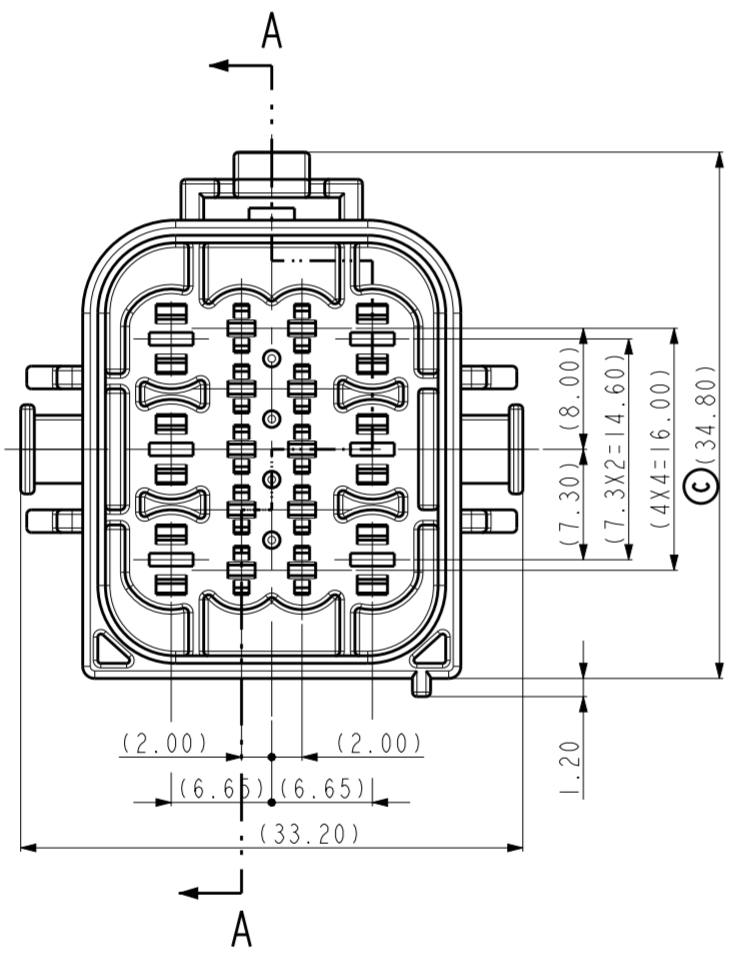
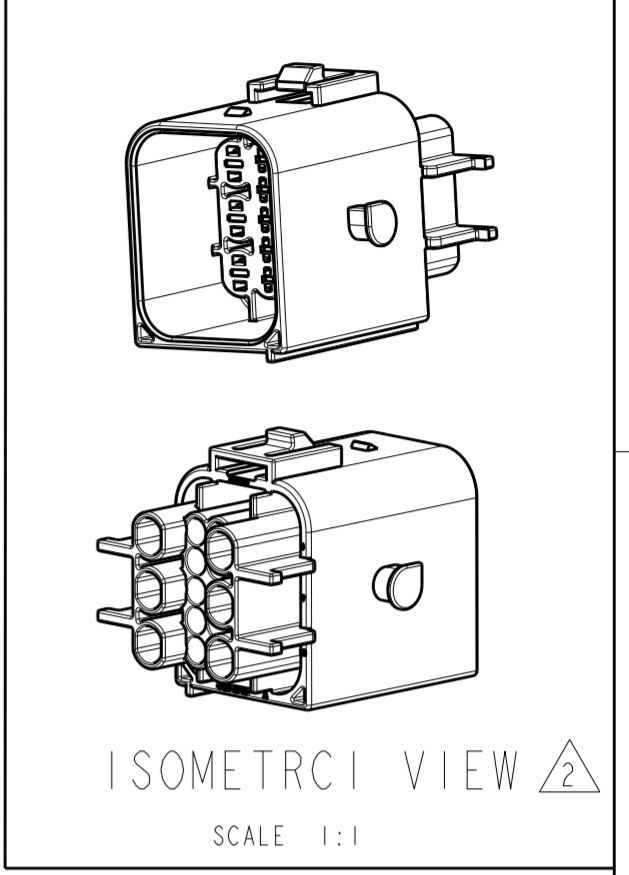
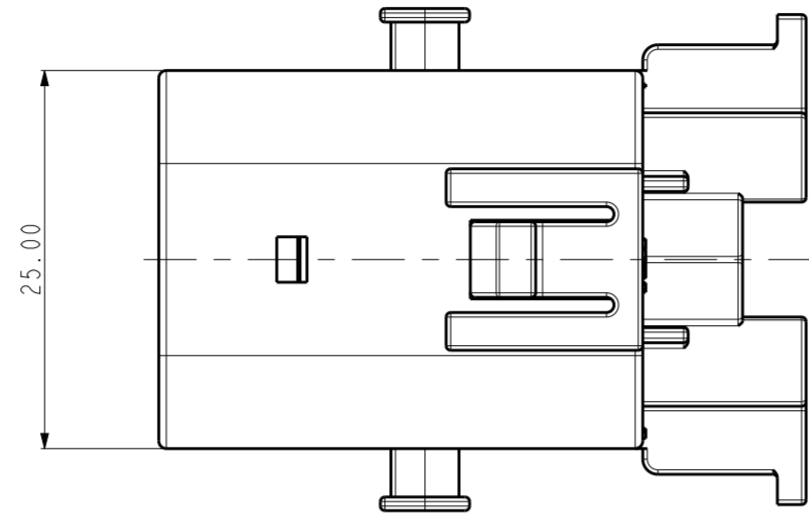


THIS DRAWING IS UNPUBLISHED. RELEASED FOR PUBLICATION 2016
 © COPYRIGHT 2005 BY TE CONNECTIVITY ALL RIGHTS RESERVED.

REVISIONS				
P	LTR	DESCRIPTION	DATE	APVD
C1		REVISED (ECR-11-009078)	02/MAY/11	SJ HG
C2		REVISED (ECR-16-010603)	22JUL2016	JM JW
C3		REVISED (ECR-17-007056)	18MAY2017	JM JW
D		REVISED (ECR-18-009887)	25MAR2019	YH YJ



SECTION A-A



<TABLE 2>

TYPE	PART NO.	WIRE INSULATION DIAMETER (mm)	COLOR
MTII	964971-1	1.2~1.6	RED
	963530-1	1.4~1.9	GRAY
	963531-1	CAVITY PLUG	WHITE
JPT	828904-1	1.2~2.1	BLUE
	828905-1	2.2~3.0	WHITE
	828922-1	CAVITY PLUG	NATURAL

<TABLE 1>

TYPE	PART NO.	WIRE SIZE (mm ²)	FINISH
MTII	0-963902-1	0.25~0.5	CuSn4
	0-963902-3		CuSn4(GOLD)
	0-963904-1	0.5~1.0	CuSn4
	0-963904-3		CuSn4(GOLD)
JPT	1-962915-1	0.5~0.85	CuSn4
	1-962915-3		CuSn(GOLD)
	1-962916-1	1.25~2.0	CuSn4
1-962916-3	CuSn(GOLD)		

- NOTES:
 1. GENERAL TOLERANCE : ±0.3, ±3°
 2. CONDITION OF DELIVERY
 3. APPLICABLE PLUG ASS'Y P/N : X-1743350-X
 APPLICABLE WIRE COVER P/N : X-1743355-X
 4. APPLICABLE RECEPTACLE CONTACT P/N : TABLE 1
 5. APPLICABLE WIRE SEAL P/N : TABLE 2

P/N	DESCRIPTION	MATERIAL	COLOR
1743354-3	CAP HSG	PBT GF15	GRAY
1743354-2	CAP HSG	PBT GF15	BLACK

THIS DRAWING IS A CONTROLLED DOCUMENT.		DWN CH PARK	TE Connectivity	
DIMENSIONS: mm		CHK BM JANG		
TOLERANCES UNLESS OTHERWISE SPECIFIED		APVD JK SONG	NAME CAP HOUSING FOR MTII/JPT HYBRID SEALED 16P CONN'R	
3rd ANGLE PROJECTION		PRODUCT SPEC	SIZE CAGE CODE DRAWING NO RESTRICTED TO	
MATERIAL		APPLICATION SPEC	A2 00779 C-1743354	
		WEIGHT	SCALE 2:1 SHEET 1 OF 1 REV D	
		CUSTOMER DRAWING		

X-ON Electronics

Largest Supplier of Electrical and Electronic Components

Click to view similar products for [Automotive Connectors](#) category:

Click to view products by [TE Connectivity](#) manufacturer:

Other Similar products are found below :

[003-018-000](#) [60993906-B](#) [72.330.1035.1](#) [F358300-B](#) [F407400](#) [776880-1](#) [827153-1](#) [8N1515-32-24P](#) [9-1326729-8](#) [925474-1](#) [928905-1](#)
[964562-4](#) [968782-1](#) [98891-1012](#) [12004475-L](#) [12041318-B](#) [12052466](#) [12015909](#) [1-21030-1](#) [12041318](#) [12047957](#) [12185550](#) [12336-12](#)
[12147304](#) [1-326211-1](#) [13681974](#) [13783086](#) [13832576](#) [13542772](#) [13675513](#) [1428188-1](#) [1437287-3](#) [1428188-2](#) [DS07-19S-5020](#) [1456983-5](#)
[1456987-7](#) [APD-7CP-H](#) [APK-SB25A10L](#) [1452931-2](#) [15336198](#) [15491972](#) [15305306](#) [15396680](#) [15425613](#) [15518544](#) [15522351](#) [1719636-1](#)
[172190-2](#) [172190-5](#) [192900-0402](#)