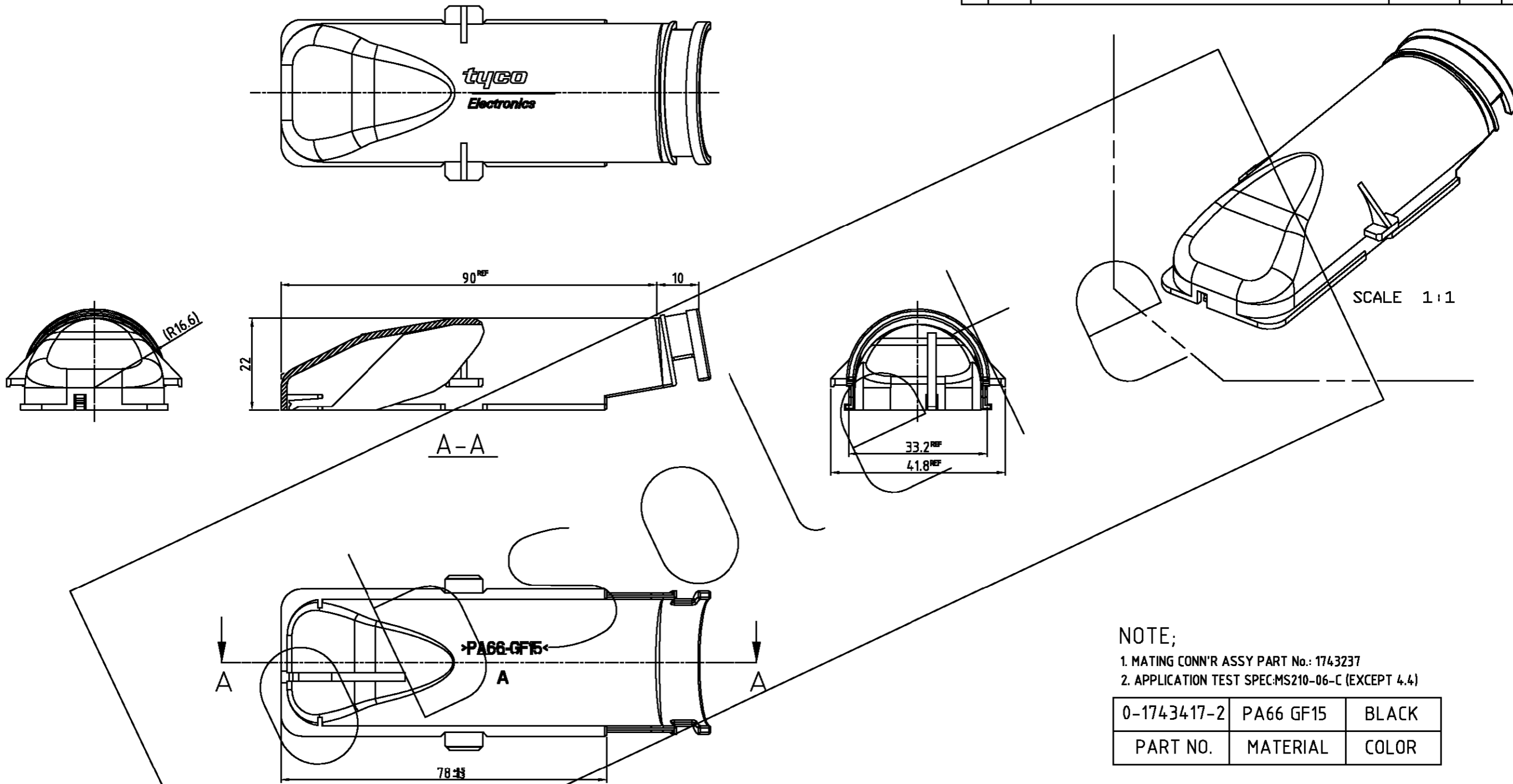


LOC	DIST	REVISIONS			
P	LTR	DESCRIPTION	DATE	DWN	APVD
	A	RELEASED	26/JUL/05	YH	JK
	A1	REVISED(ECR-06-021726)	11/SEP/06	YH	JK



NOTE;
 1. MATING CONN'R ASSY PART No.: 1743237
 2. APPLICATION TEST SPEC:MS210-06-C (EXCEPT 4.4)

0-1743417-2	PA66 GF15	BLACK
PART NO.	MATERIAL	COLOR

<small>THIS DRAWING IS A CONTROLLED DOCUMENT FOR TYCO ELECTRONICS CORPORATION IT IS SUBJECT TO CHANGE AND THE CONTROLLING ENGINEERING ORGANIZATION SHOULD BE CONTACTED FOR THE LATEST REVISION.</small>		DWN :YH MA CHK :YH CHOI				AMP KOREA. kyungsan, korea	
DIMENSIONS: mm		TOLERANCES UNLESS OTHERWISE SPECIFIED: DECIMALS ; ±0.3 ANGLES ; ±3°		APVD :JK SONG PRODUCT SPEC		NAME COVER HSG FOR SHIELD 94POS.(FOR HD, MG, UN)	
		MATERIAL		APPLICATION SPEC		RESTRICTED TO	
FINISH		WEIGHT		SIZE CAGE CODE DRAWING NO A3 00779 C= 1743417		CUSTOMER DRAWING	
				SCALE 1/1		SHEET 1 OF 1	
						REV A1	

X-ON Electronics

Largest Supplier of Electrical and Electronic Components

Click to view similar products for [Headers & Wire Housings](#) category:

Click to view products by [TE Connectivity](#) manufacturer:

Other Similar products are found below :

[57102-F02-18ULF](#) [58102-G61-06LF](#) [582553-1](#) [009176003701906](#) [01.001.5753.1](#) [0050291907](#) [02.125.8002.8](#) [609-3404](#) [61062-3](#)
[CSU011177004](#) [622-0430](#) [622-3653LF](#) [63453-116](#) [636-1030](#) [636-1427](#) [636-3427](#) [636-4007](#) [641938-9](#) [65495-038](#) [65692-001LF](#) [65781-018](#)
[65781-047](#) [65817-010LF](#) [65817-015LF](#) [66207-023LF](#) [67095-007LF](#) [67601157](#) [68631-112](#) [68645-018](#) [699319-000](#) [70.362.1628.0](#) [70-4210](#)
[70-4226B](#) [70-4853B](#) [707-5020](#) [707-5028](#) [71.350.2428.0](#) [71961-016LF](#) [733-134](#) [733-162](#) [754199-000](#) [760-3052](#) [800-90-001-10-001000](#)
[801-43-002-10-013000](#) [801-43-006-10-002000](#) [803-41-018-10-001000](#) [803-43-024-10-001000](#) [803-93-012-10-001000](#) [8-1437020-4](#)
[819-22-004-30-001101](#)