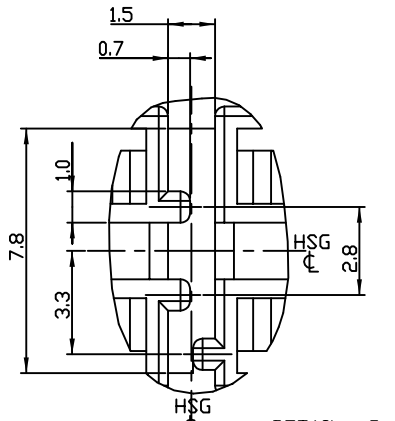
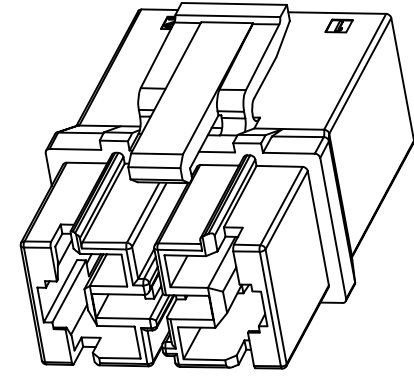
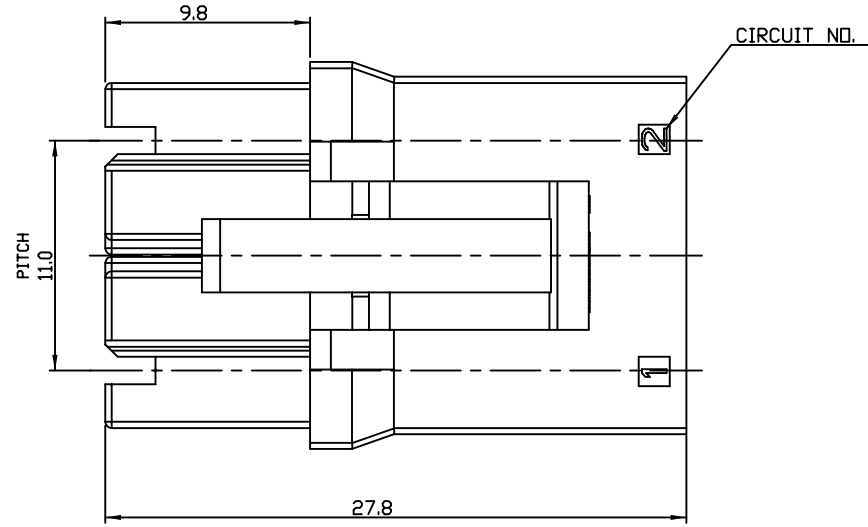


THIS DRAWING IS UNPUBLISHED. RELEASED FOR PUBLICATION. ALL RIGHTS RESERVED.

REVISIONS				
P	LTR	DESCRIPTION	DATE	APVD
B2		REVISED PER ECR-16-001910	22SEP206	SC BW



DETAIL G
SCALE 6:1
KEYING CODE



SCALE 3:1

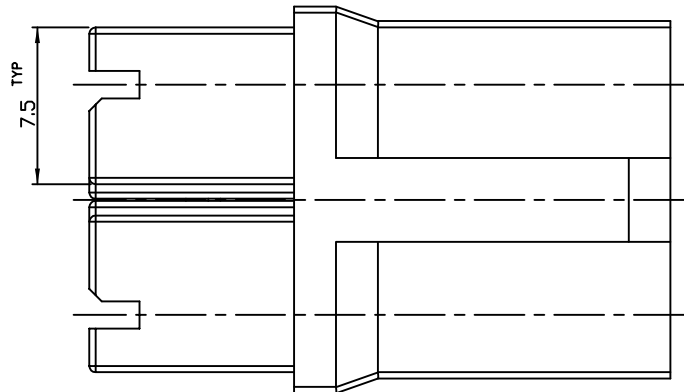
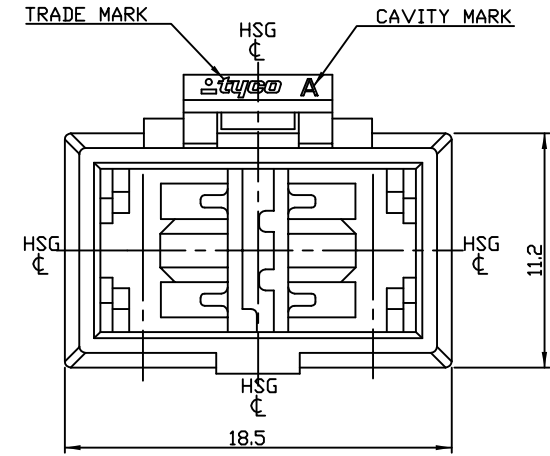
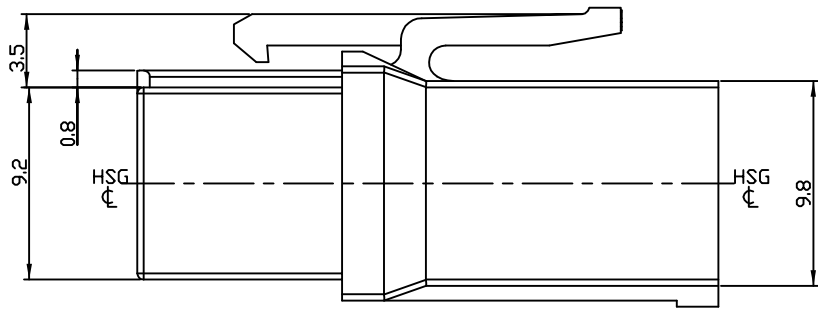
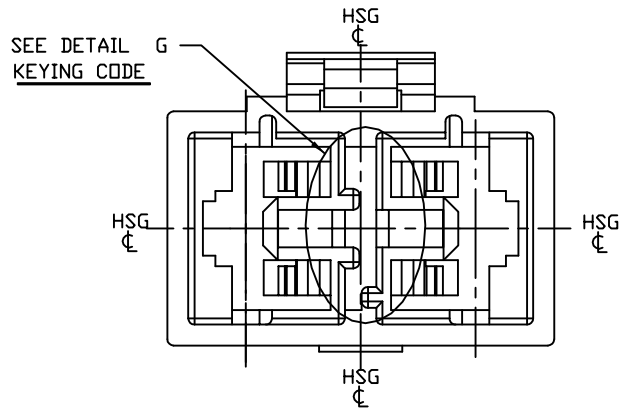


TABLE 1 (SEE DETAIL G)

TYPE	A	B	C	D
KEYING LOCATION				

- NOTES
 1. GENERAL TOLERANCES : ±0.2
 2. MATERIAL : 6/6 NYLON, UL94V-0
 3. MATERIAL : PC/PET, UL94V-0
 PARTS COMPLY WITH GWT 750
 4. MATING HDR ASS'Y P/N : 1743330-□
 5. APPLICABLE CONTACT P/N : 1743457-1
 6. KEYING LOCATION : TABLE 1, DETAIL G

1-1743419-6	D	3	BLUE
1-1743419-4	C		YELLOW
1-1743419-2	B		RED
1-1743419-1	A		NATURAL
OBSOLETE 1-1743419-6	D	2	BLUE
OBSOLETE 1-1743419-4	C		YELLOW
1743419-2	B		RED
1743419-1	A		NATURAL
P/N	TYPE	MATERIAL	COLOR

THIS DRAWING IS A CONTROLLED DOCUMENT.

DIMENSIONS: mm	TOLERANCES UNLESS OTHERWISE SPECIFIED.	DWN SC KIM	TE Connectivity
0 PLC ±	1 PLC ±	CHK BW KANG	NAME
2 PLC ±	3 PLC ±	APVD JK SONG	PRODUCT SPEC
4 PLC ±	ANGLES ±	FINISH	APPLICATION SPEC
MATERIAL SEE NOTE	FINISH	WEIGHT	SIZE A2
			CAGE CODE 00779
			DRAWING NO. 1743419
			RESTRICTED TO
			CUSTOMER DRAWING
			SCALE N/S
			SHEET 1 of 1
			REV B2

X-ON Electronics

Largest Supplier of Electrical and Electronic Components

Click to view similar products for [Power to the Board](#) category:

Click to view products by [TE Connectivity](#) manufacturer:

Other Similar products are found below :

[6450171-4](#) [6450552-7](#) [6600323-8](#) [6643429-1](#) [6646040-2](#) [6651939-1](#) [6766604-1](#) [120959-1](#) [1393557-2](#) [1393532-2](#) [1393532-3](#) [1393532-4](#)
[1393557-1](#) [1600812-5](#) [1-6450861-2](#) [1744132-7](#) [1761122-1](#) [1766250-1](#) [1892109-1](#) [2-6450860-5](#) [2-6450870-0](#) [1-6450161-4](#) [1-6450850-6](#) [1-](#)
[6450869-6](#) [1645526-2](#) [1-6600130-0](#) [2005243-2](#) [377-0020-11130](#) [TE34-12-16P-F0](#) [51700-10201602AALF](#) [5-6450830-6](#) [5646956-4](#) [377-](#)
[0080-11131A](#) [4-6450830-9](#) [4-6600333-3](#) [10125416-4050LF](#) [10130248-005LF](#) [6600320-3](#) [3-6450860-5](#) [1888123-2](#) [6450166-1](#) [6643978-1](#)
[6766605-1](#) [701-15-02109](#) [N11444](#) [6651938-1](#) [6450810-7](#) [46437-1112](#) [1-1589677-8](#) [5646956-5](#)