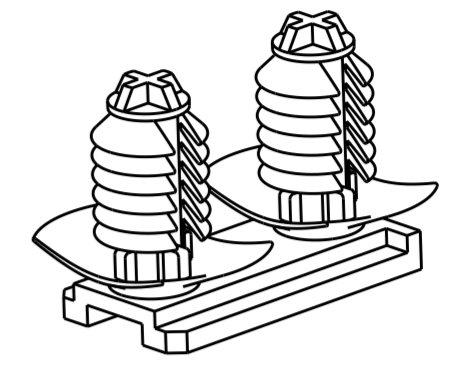
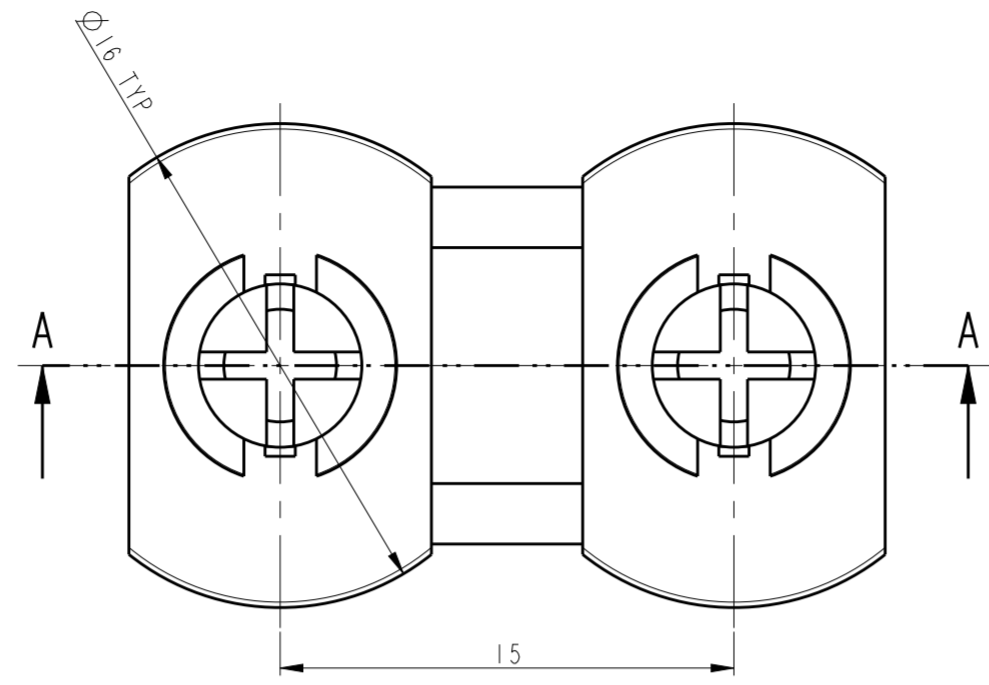
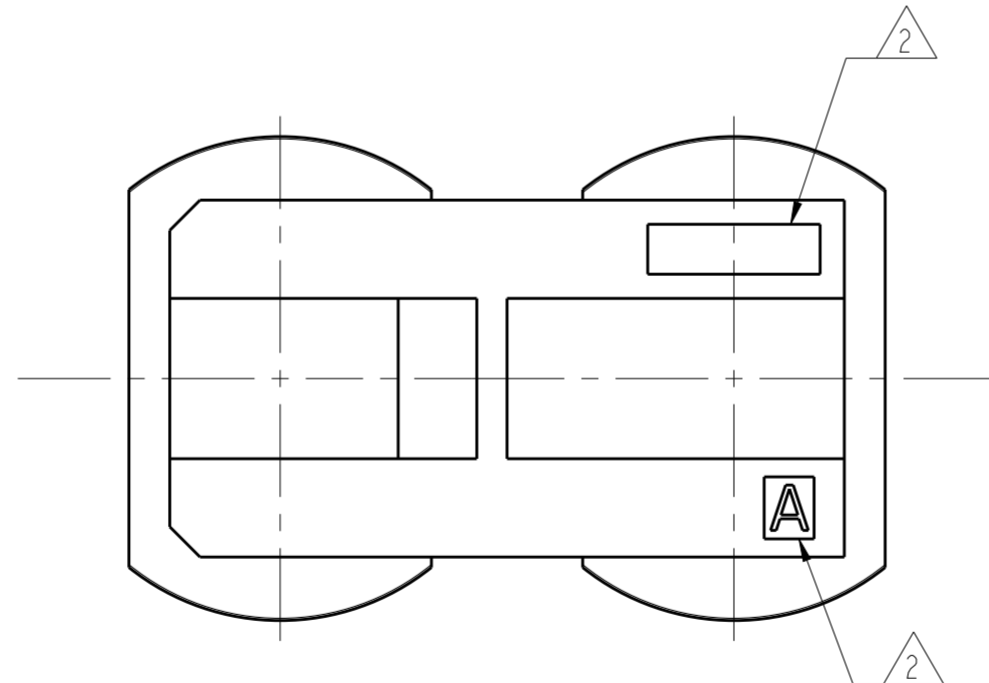
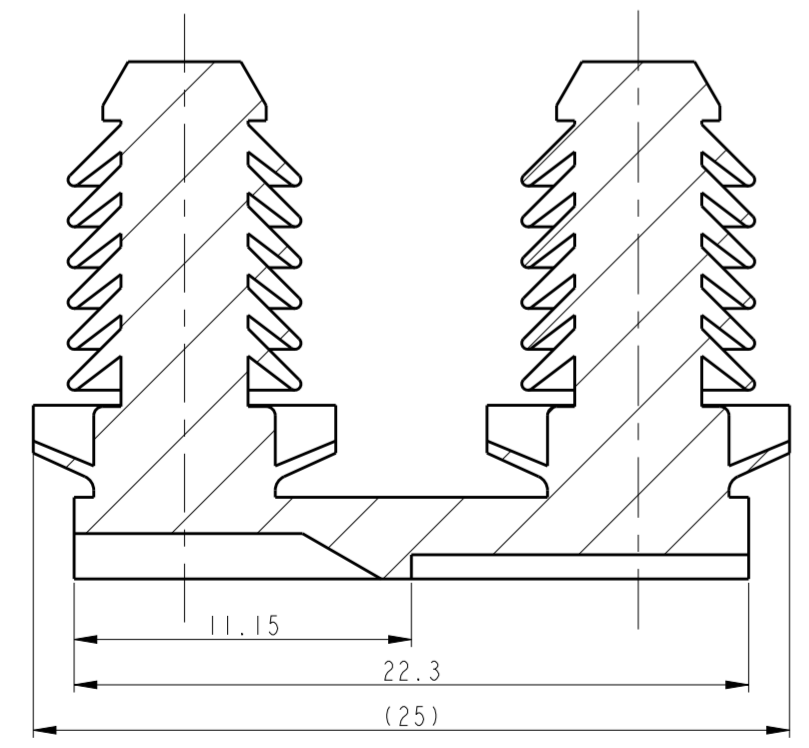
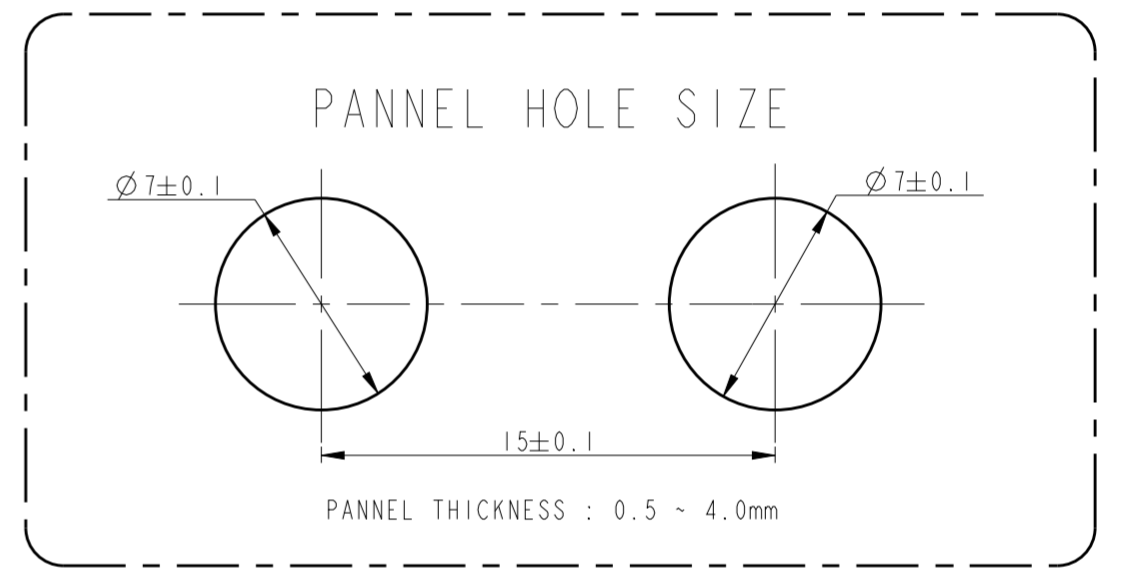
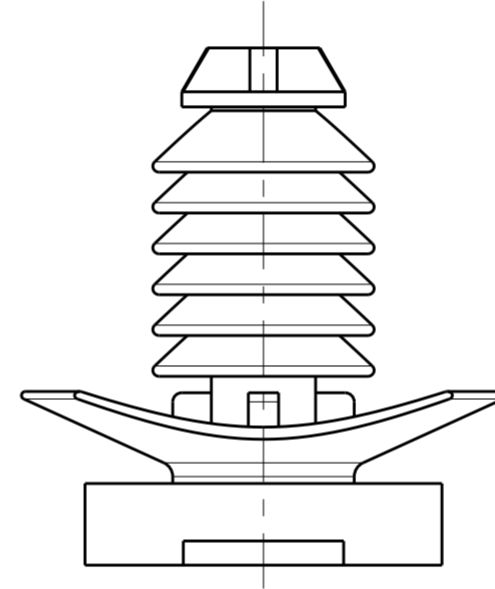
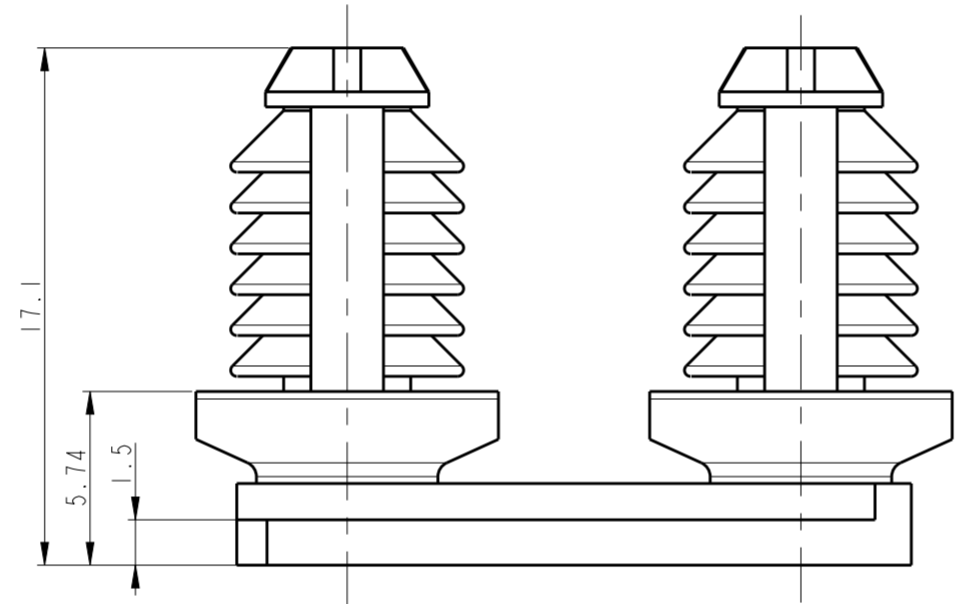
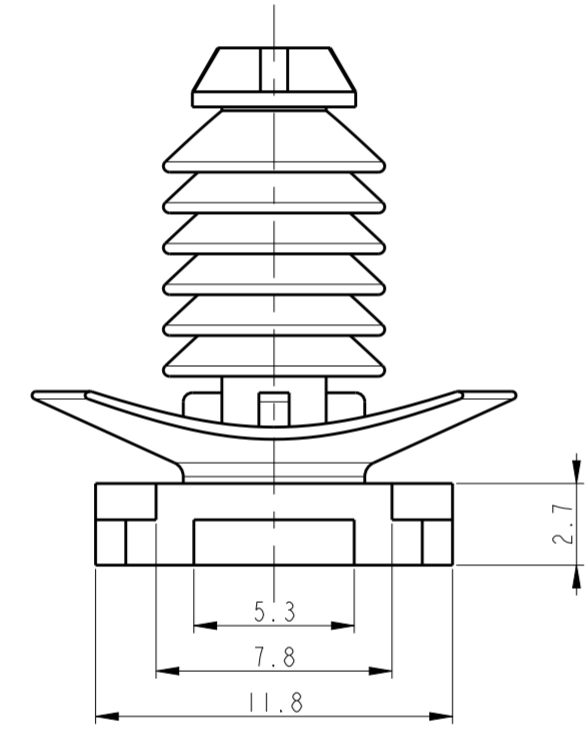


REVISIONS					
P	LTR	DESCRIPTION	DATE	DWN	APVD
	A	RELEASED	16. JUN. '05	SB	CS
	A1	REVISED (ECR-16-016589)	23NOV2016	JM	JW
	A2	REVISED (ECR-19-011712)	25JUL2019	SH	YJ



1743455-X
3D VIEW
SCALE 2/1



NOTES

① 1. GENERAL TOLERANCE:

GENERAL TOLERANCES	
10 MAX	±0.2
10 OVER 30 MAX	±0.25
30 OVER	±0.3
ANGLES	±3°

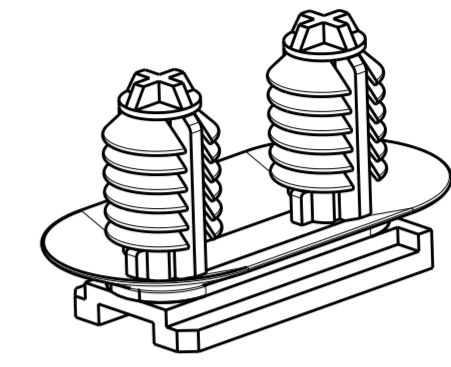
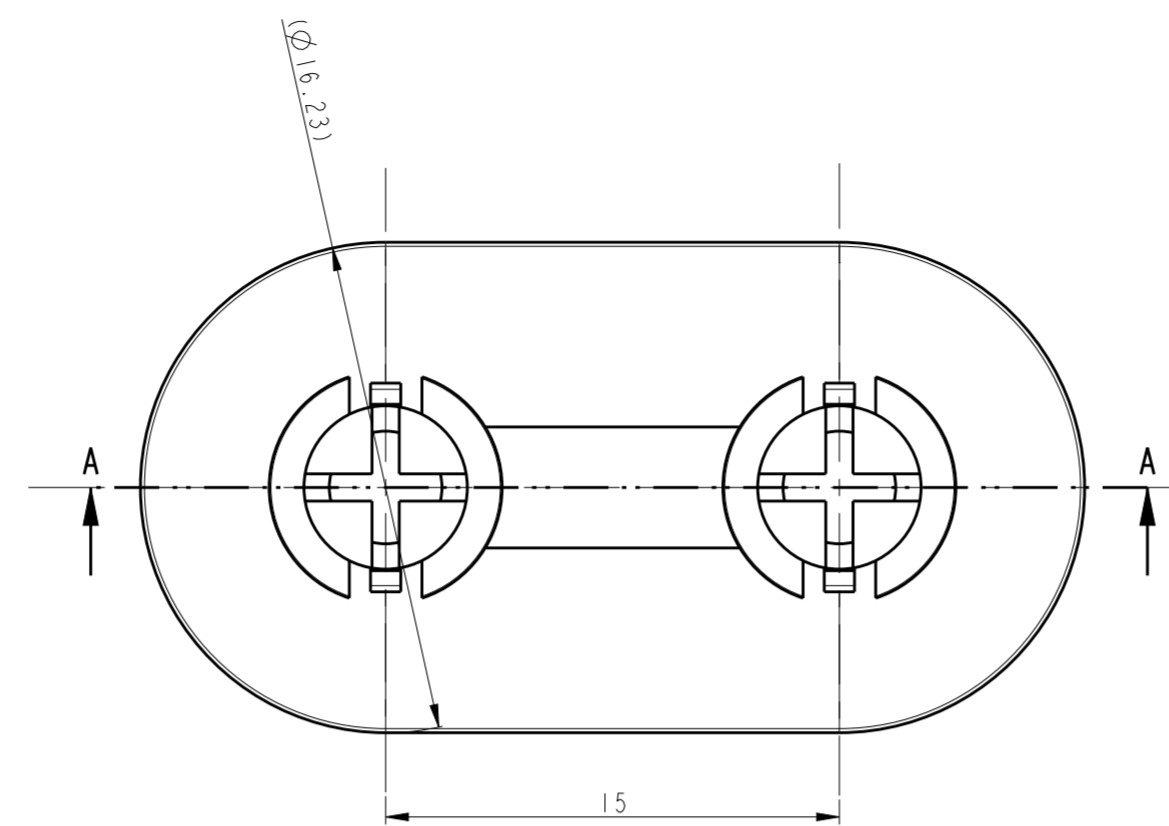
△ TRADE MARK, CAVITY MARK

NO.	COLOR	MATERIAL	DESCRIPTION	P/N
① 2	GRAY	PA66	CLIP HSG	1743455-3
1	BLACK	PA66	CLIP HSG	1743455-2

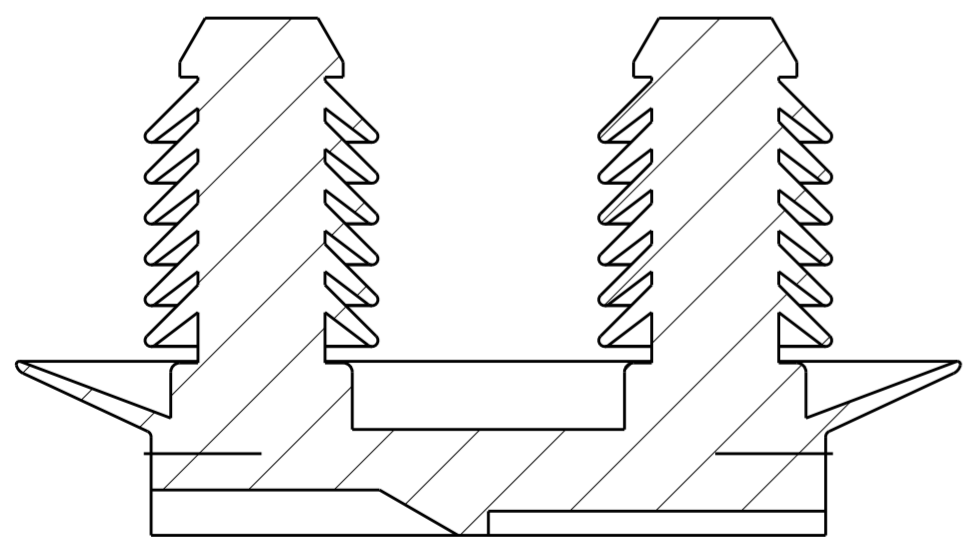
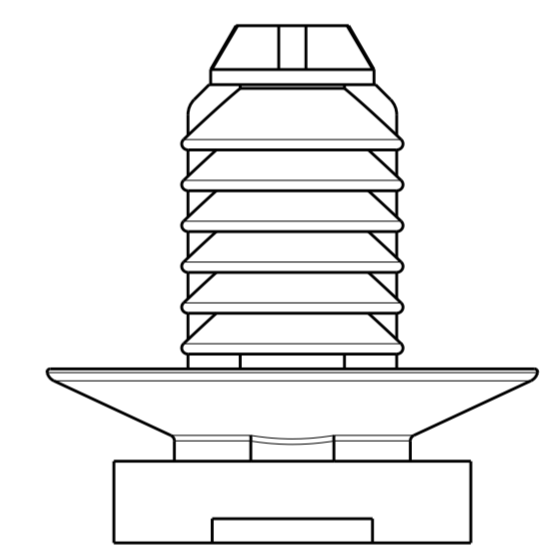
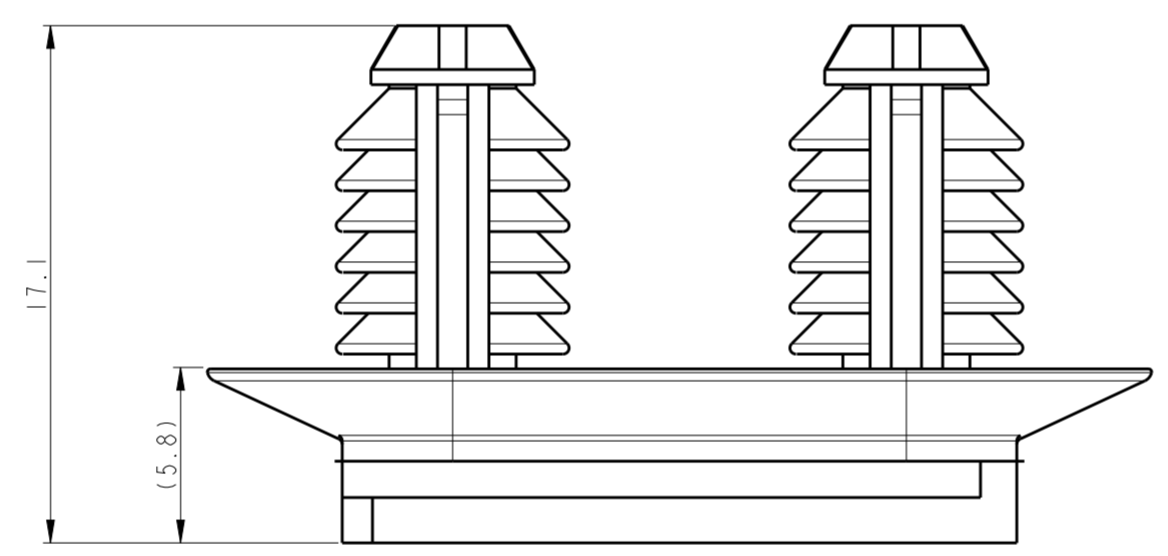
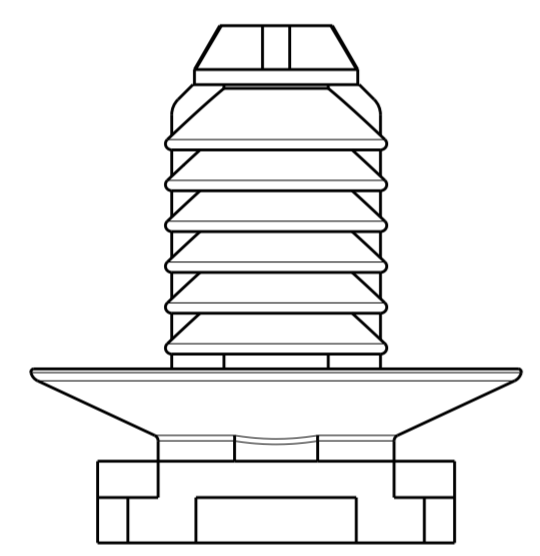
THIS DRAWING IS A CONTROLLED DOCUMENT.		DWN JM JEON	TE Connectivity		
DIMENSIONS: mm		CHK -			
TOLERANCES UNLESS OTHERWISE SPECIFIED		APVD JW JUNG	NAME CLIP HSG FOR 090 MLC (TYPE3)		
0 PLC ±		PRODUCT SPEC -	SIZE CAGE CODE DRAWING NO RESTRICTED TO		
1 PLC ±		APPLICATION SPEC -	A2 00779 C-1743455		
2 PLC ±		WEIGHT -	SCALE 2:1 SHEET 1 OF 2 REV A2		
3 PLC ±		RESTRICTED CUSTOMER			
4 PLC ±					
ANGLES ±					
FINISH					

REVISIONS				
P	LTR	DESCRIPTION	DATE	APVD
SEE SHEET 1 OF 2				

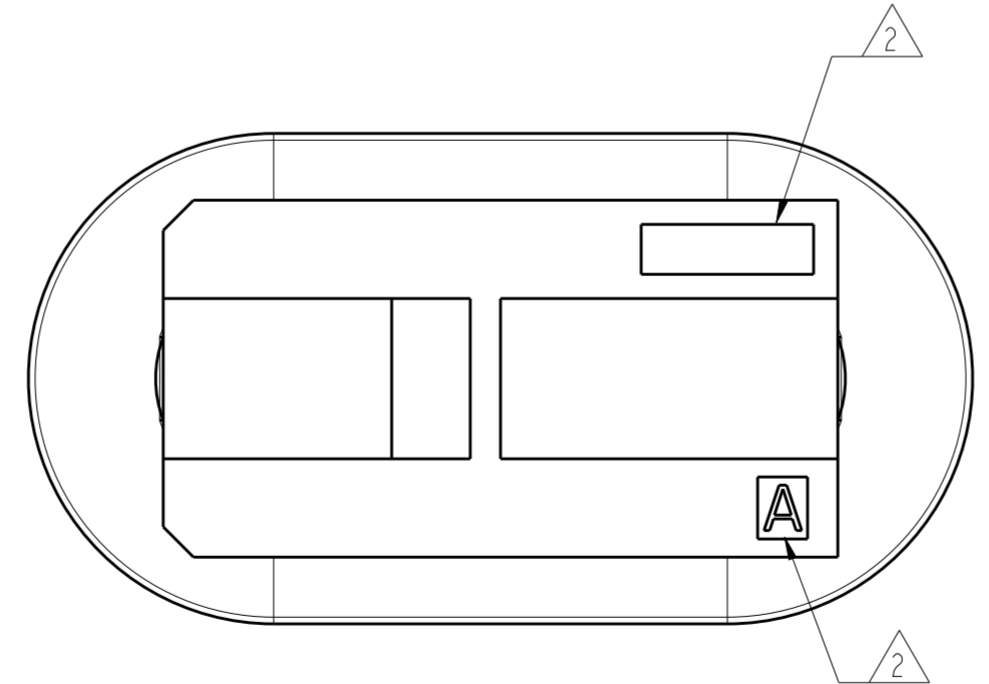
#1-1743455-2
 CONVERSION PART.
 MISSING DIMENSIONS ARE SAME WIHT 1743455-2



1-1743455-X
 3D VIEW



SECTION A-A
 SCALE 4:1



A2	3	BLACK	PA66	CLIP HSG	1-1743455-2
	NO.	COLOR	MATERIAL	DESCRIPTION	P/N

THIS DRAWING IS A CONTROLLED DOCUMENT.		DWN -	TE Connectivity		
DIMENSIONS: mm		CHK -			
TOLERANCES UNLESS OTHERWISE SPECIFIED		APVD -	NAME CLIP HSG FOR 090 MLC (TYPE3)		
0 PLC ±		SEE SHEET 1 OF 2 PRODUCT SPEC - APPLICATION SPEC - WEIGHT -		SIZE A2	
1 PLC ±				CAGE CODE 00779	
2 PLC ±				DRAWING NO. 1743455	
3 PLC ±				RESTRICTED TO	
4 PLC ±		RESTRICTED CUSTOMER		SCALE 2:1	SHEET 2 OF 2
ANGLES ±		REV A2			
FINISH -					

X-ON Electronics

Largest Supplier of Electrical and Electronic Components

Click to view similar products for [Automotive Connectors](#) category:

Click to view products by [TE Connectivity](#) manufacturer:

Other Similar products are found below :

[003-018-000](#) [60403001](#) [60993906-B](#) [M902-2131](#) [M902-2161](#) [M902-2344](#) [72.330.1035.1](#) [73.353.4028.0](#) [F119300-B](#) [F166900](#) [F258300-B](#)
[F358300-B](#) [F407400](#) [F444110](#) [F487000](#) [F509500B-B](#) [827153-1](#) [8N1515-32-24P](#) [9-1326729-8](#) [925474-1](#) [928905-1](#) [964562-4](#) [968782-1](#)
[GT17SA-8DS-HU](#) [98891-1012](#) [98947-1016](#) [12004147](#) [12004475-L](#) [12010290](#) [12015454](#) [12020219-B](#) [12041318-B](#) [12052225-L](#) [12052466](#)
[12064869](#) [12004327-B](#) [12015308](#) [12015384](#) [12015909](#) [1-21030-1](#) [12041254](#) [12041318](#) [12047946-B](#) [12047957](#) [12047957-L](#) [12059473](#)
[12066261](#) [12110546](#) [12110546-B](#) [12131792](#)