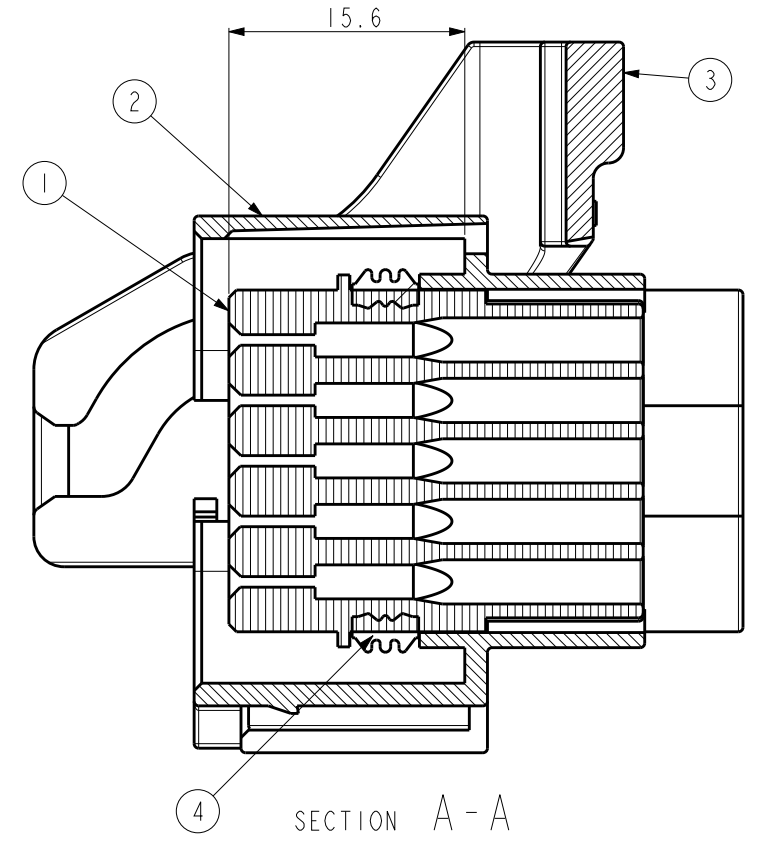
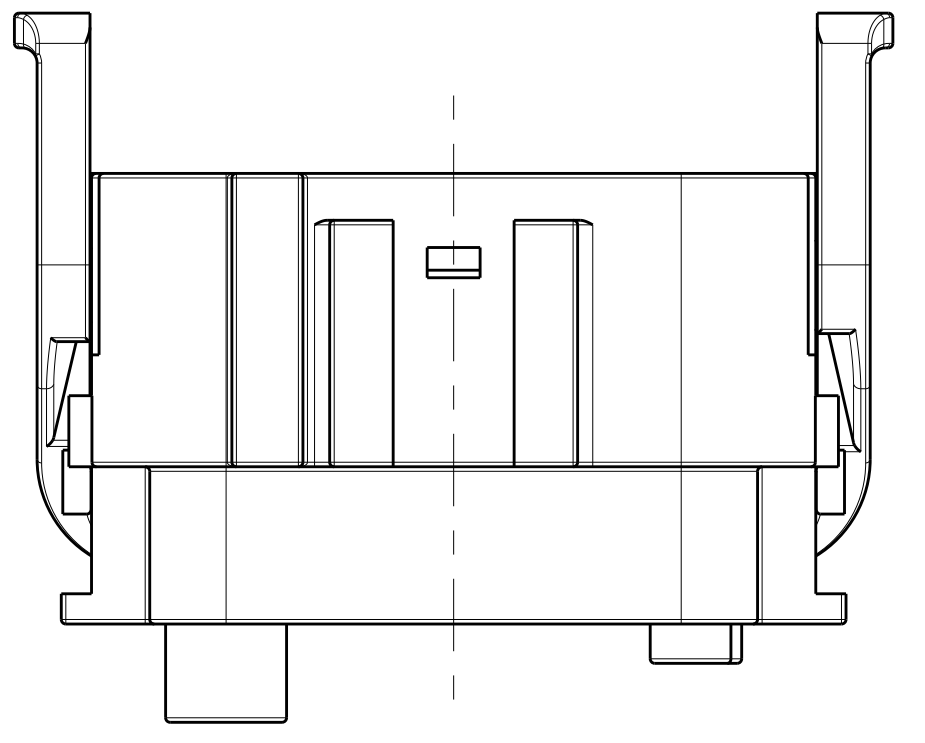
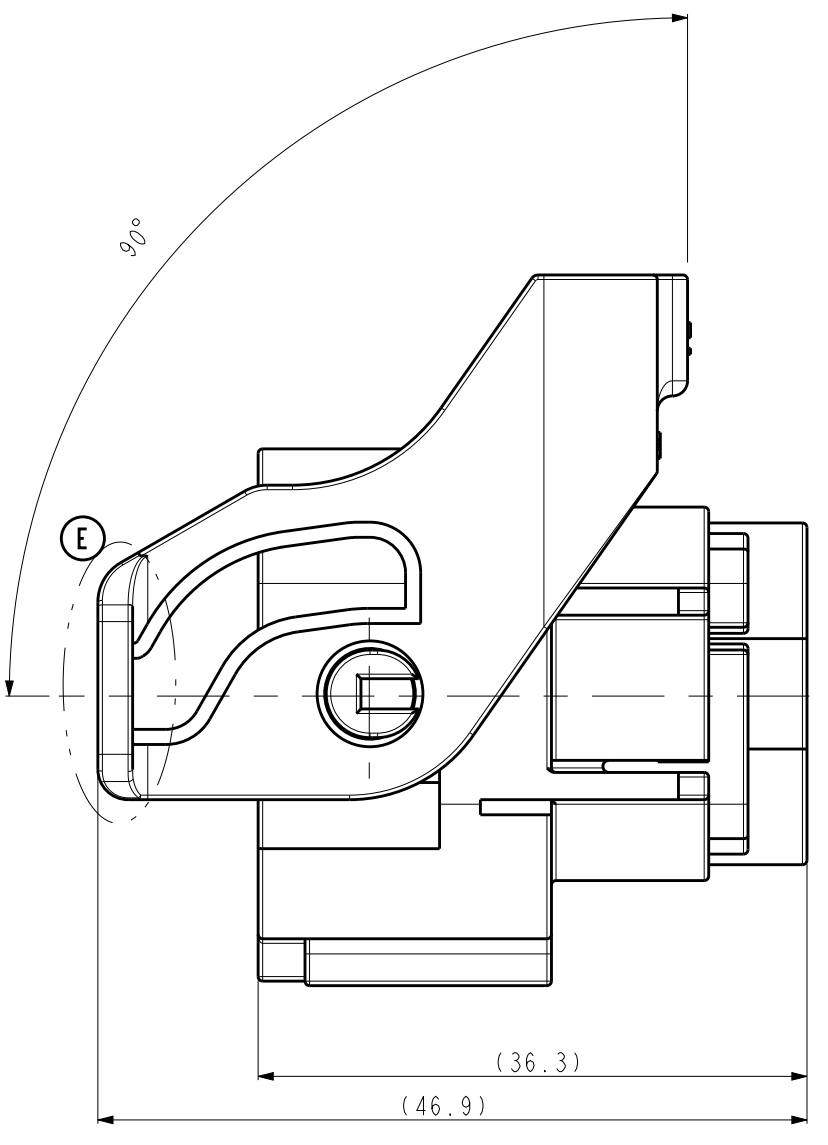
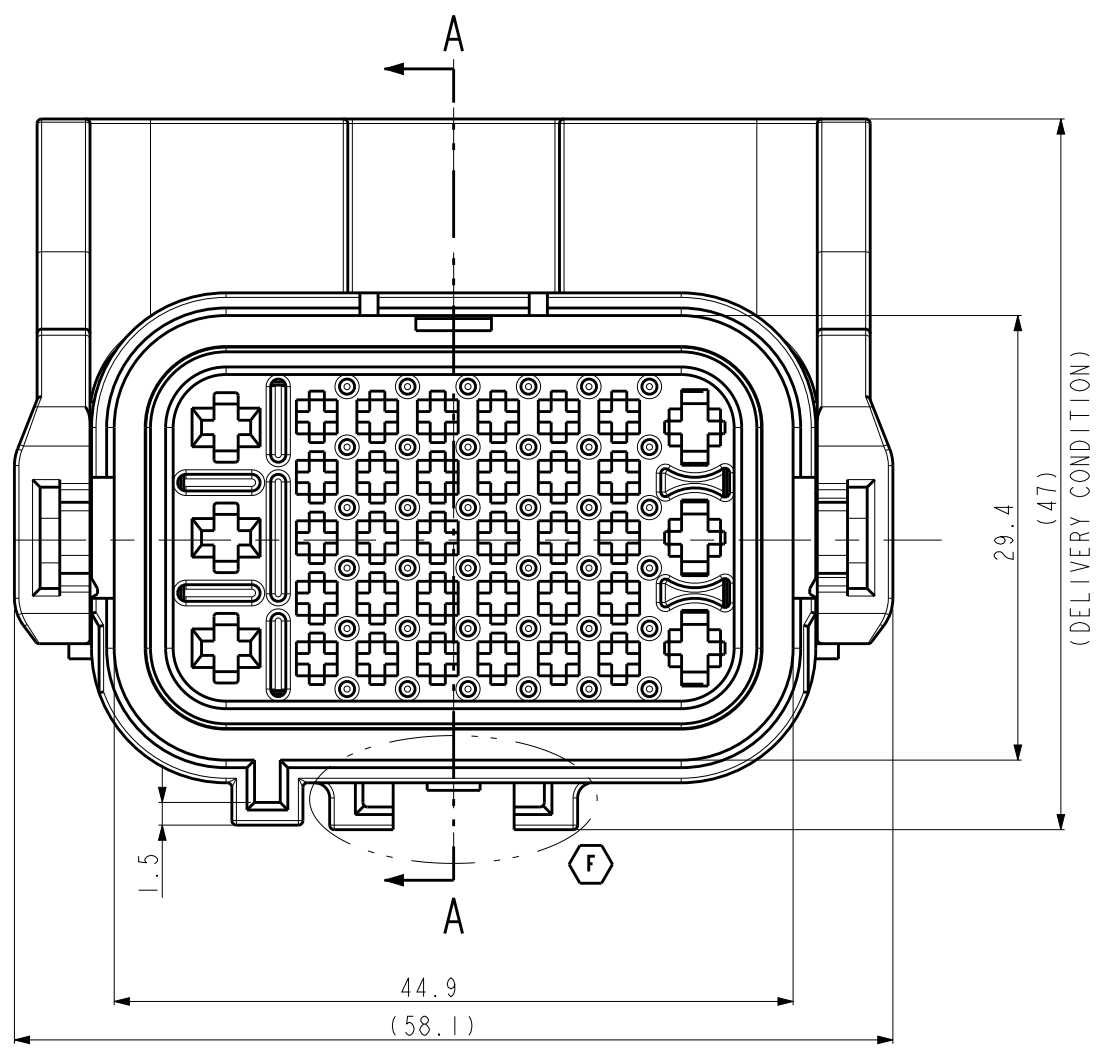
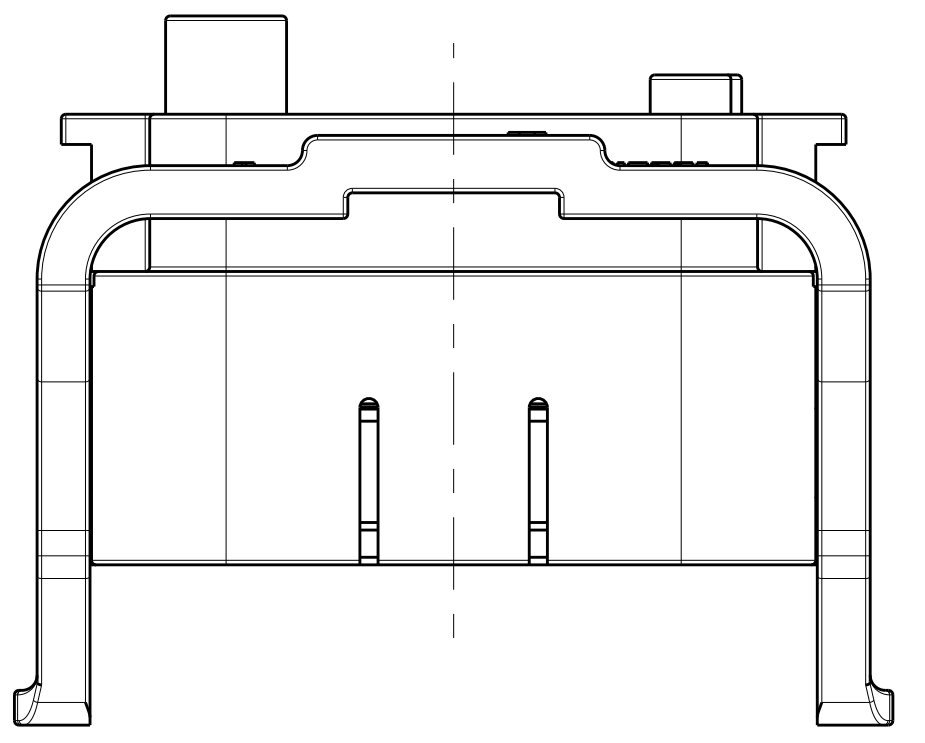
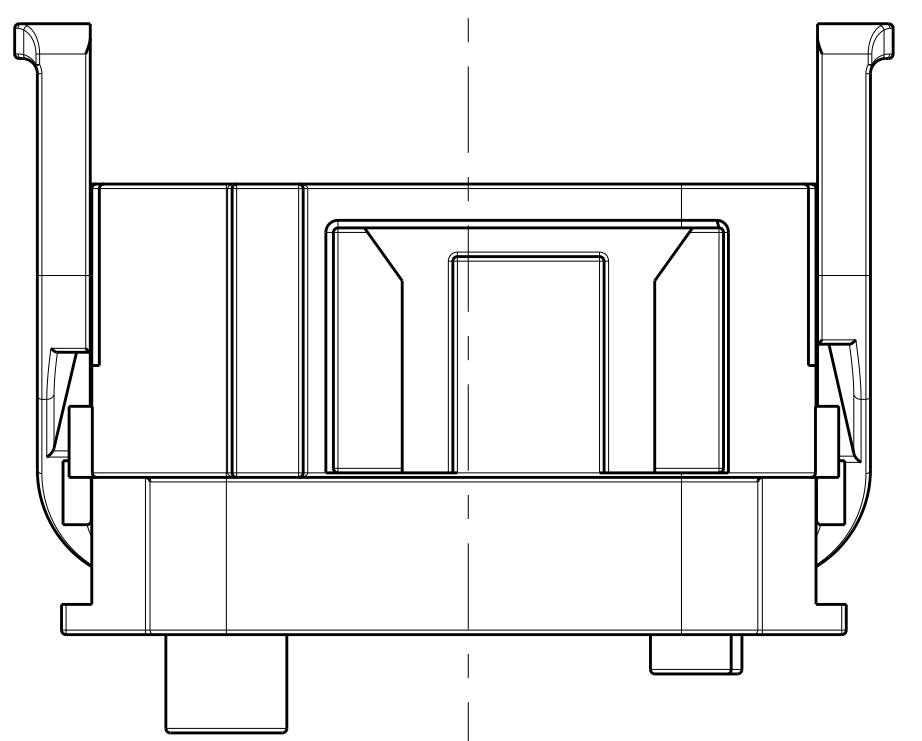
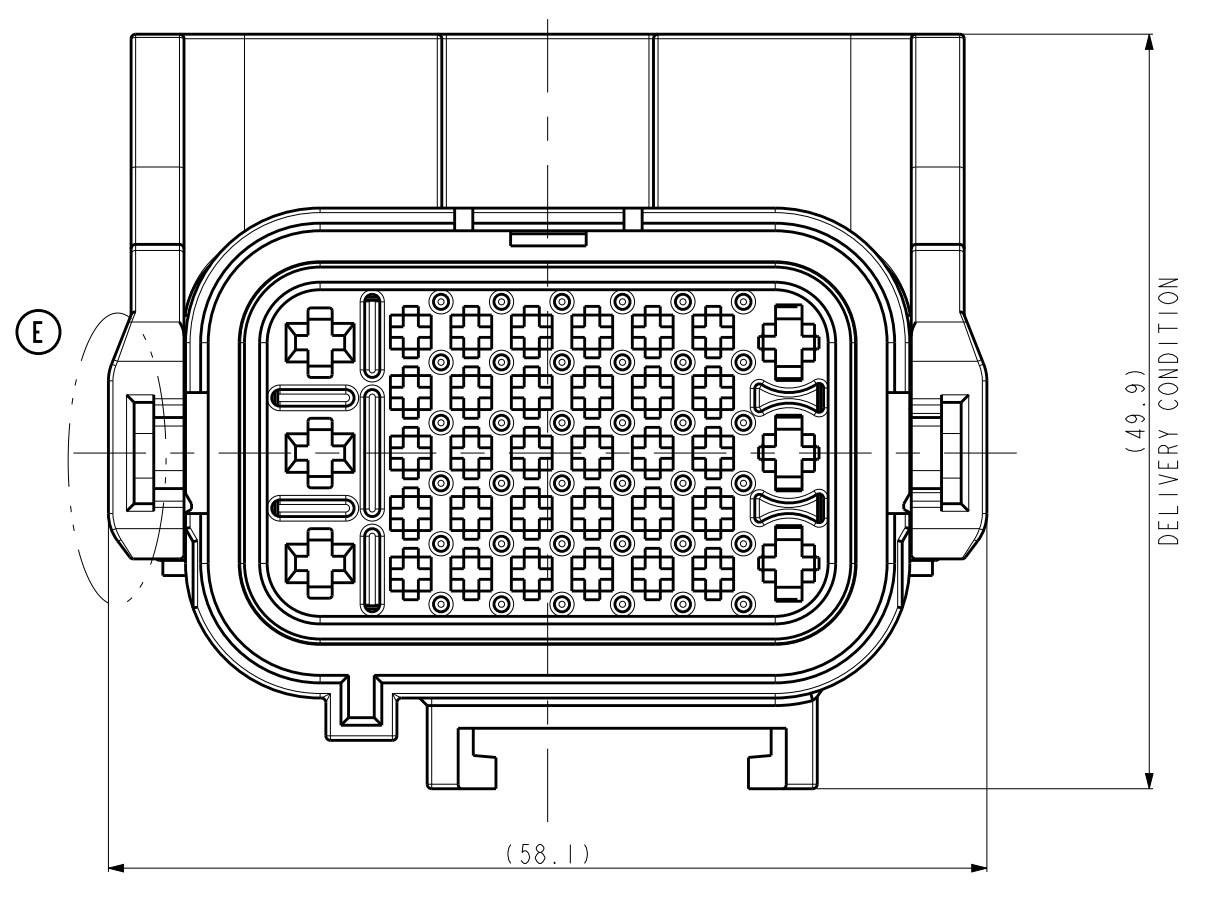
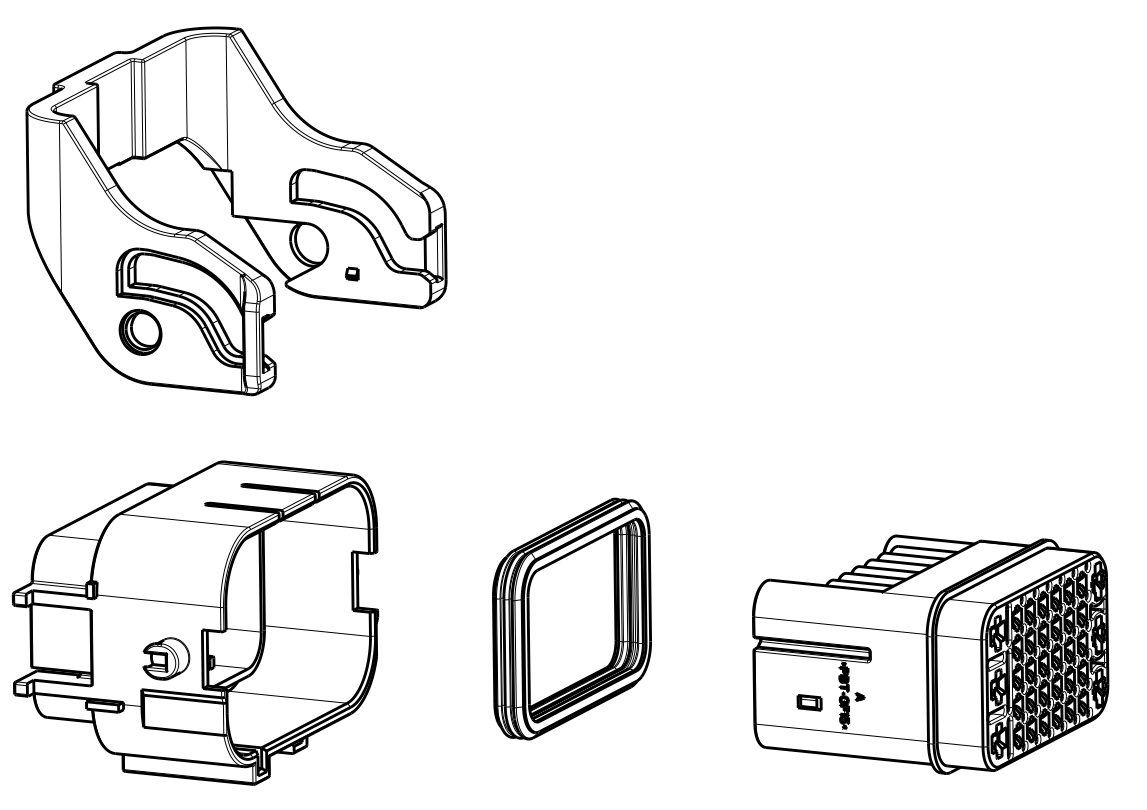


TYPE B (DELPHI CLIP MOUNTING TYPE)
 1-1743632-2



REVISIONS				
REV	LTN	DESCRIPTION	DATE	OWN APVD
D		REVISED (ECR-10-007521)	29JUN2010	KT HG
E		REVISED (ECR-16-016130)	21MAR2017	SJ JW
E1		REVISED (ECR-17-009686)	24JUL2017	SJ KT
F		REVISED (ECR-17-010550)	10AUG2017	SJ KT

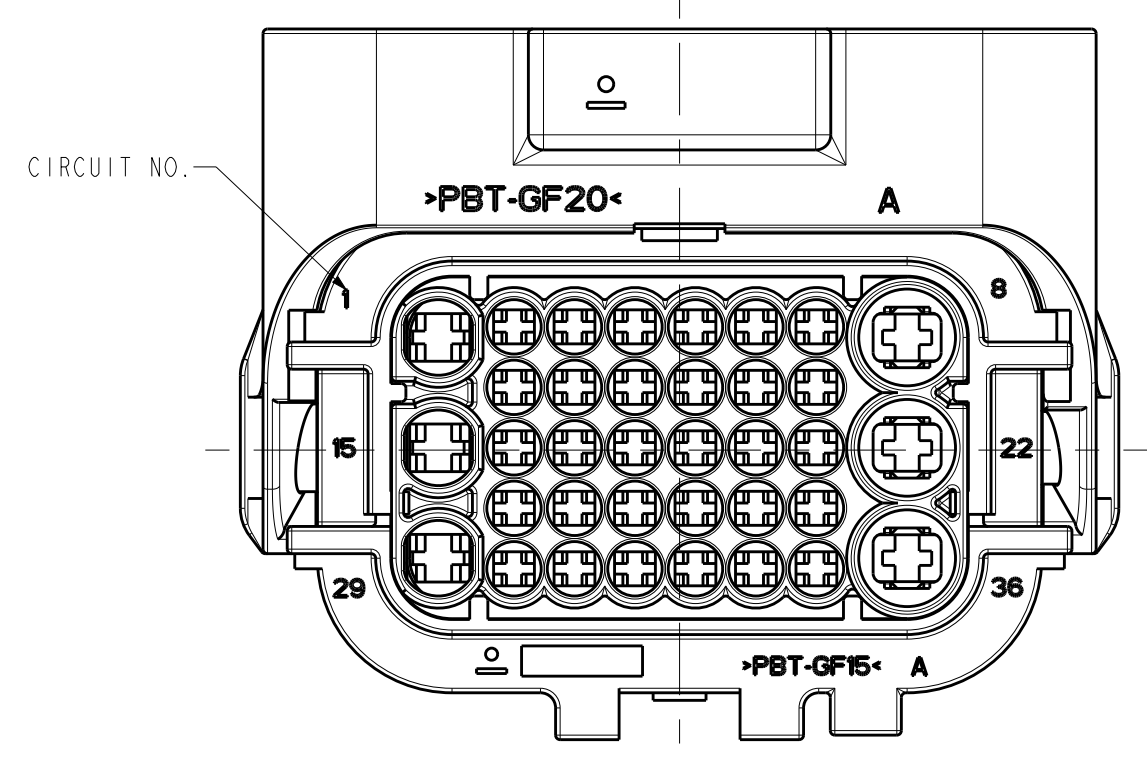
TYPE B		TYPE A	
1-1743632-2	0-1743632-2		



3D EXPLODE VIEW
 (SCALE 1:1)

<TABLE 1>					
TYPE	PART NO.	WIRE SIZE(mm ²)	Insulation DIA(mm)	Applicable WIRE	FINISH
MT11	0-962875-1	0.2-0.5	1.2-1.6	AVSSXF 0.5 Max	CuSn4
	0-962875-3				CuSn4(GOLD)
	0-962876-1	0.5-1.0	1.4-2.1	AVSSXF 0.85 Max	CuSn4
0-962876-3	CuSn4(GOLD)				
JPT	0-927770-3	0.5-1.0	2.0-2.7	FLK 1.0 Max	CuSn4
	2-927770-1				CuSn4(GOLD)
	0-927766-3	1.5-2.5	2.7-3.0	AVSS 2.0 Max or FLR 2.5 Max	CuSn4
2-927766-1	CuSn4(GOLD)				
MCP	1-968859-1	2.5-4.0	3.0-3.7	AEXF 3.0 Max or FLR 4.0 Max	CuNiSi

<TABLE 2>				
TYPE	WIRE SIZE(mm ²)	PART NO.	WIRE INSULATION DIAMETER(mm)	COLOR
MT11	0.35-0.5	964971-1	1.2-1.6	RED
	0.5-0.75	963530-1	1.4-1.9	GRAY
	1.0	964972-1	1.9-2.1	YELLOW
JPT	0.35-1.0	828904-2	1.2-2.1	BLUE
	1.5-2.5	828905-1	2.2-3.0	WHITE
		828922-1	CAVITY PLUG	NATURAL
MCP	2.5-4.0	828985-1	3.0-3.7	GREEN
		828986-1	CAVITY PLUG	BROWN



- NOTE
- GENERAL TOLERANCE: ±0.3, ±3°
 - DELIVERY CONDITION
 - APPLIED CAP P/N: X-1743636-X
 APPLIED WIRE COVER P/N: X-1743637-X
 - APPLICABLE RECEPTACLE CONTACT P/N: TABLE 1
 - APPLICABLE WIRE SEAL P/N: TABLE 2
 - CLIP MOUNTING FEATURE: TABLE 3

NO	DESCRIPTION	MATERIAL	COLOR	Q'TY
4	INNER SEAL	SILICONE	RED ORANGE	1
3	LEVER	PBT-GF20	GRAY	1
2	MAIN PLUG (TYPE B)	PBT-GF15	BLACK	1
2	MAIN PLUG (TYPE A)	PBT-GF15	BLACK	1
1	FRONT PLUG	PBT-GF15	BLACK	1

THIS DRAWING IS A CONTROLLED DOCUMENT. OWN: CH PARK, CHK: YM CHOI, APVD: JK SONG, PRODUCT SPEC, APPLICATION SPEC, MATERIAL: SEE TABLE, FINISH: UNLESS OTHERWISE SPECIFIED.

STE TE Connectivity

NAME: PLUG ASS'Y FOR MT11 JPT MCP SEALED 36P CONN'R

SIZE: A1, CAGE CODE: 00779, DRAWING NO: 1743632, RESTRICTED TO: -

CUSTOMER DRAWING, SCALE: 2:1, SHEET: 1 OF 1, REV: F

X-ON Electronics

Largest Supplier of Electrical and Electronic Components

Click to view similar products for [Automotive Connectors](#) category:

Click to view products by [TE Connectivity](#) manufacturer:

Other Similar products are found below :

[003-018-000](#) [60403001](#) [60993906-B](#) [M902-2131](#) [M902-2161](#) [M902-2344](#) [72.330.1035.1](#) [73.353.4028.0](#) [F119300-B](#) [F166900](#) [F258300-B](#)
[F358300-B](#) [F407400](#) [F444110](#) [F487000](#) [F509500B-B](#) [827153-1](#) [8N1515-32-24P](#) [9-1326729-8](#) [925474-1](#) [928905-1](#) [964562-4](#) [968782-1](#)
[GT17SA-8DS-HU](#) [98891-1012](#) [98947-1016](#) [12004147](#) [12004475-L](#) [12010290](#) [12010309-B](#) [12015454](#) [12020219-B](#) [12041318-B](#) [12052225-](#)
[L](#) [12052466](#) [12064869](#) [12004327-B](#) [12015308](#) [12015384](#) [12015909](#) [1-21030-1](#) [12041254](#) [12041318](#) [12047946-B](#) [12047957](#) [12047957-L](#)
[12059473](#) [12066261](#) [12110546](#) [12110546-B](#)