

THIS DRAWING IS UNPUBLISHED.

RELEASED FOR PUBLICATION

20

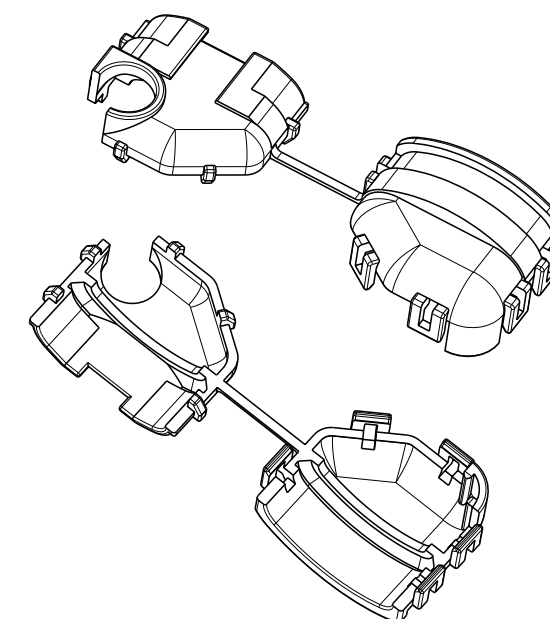
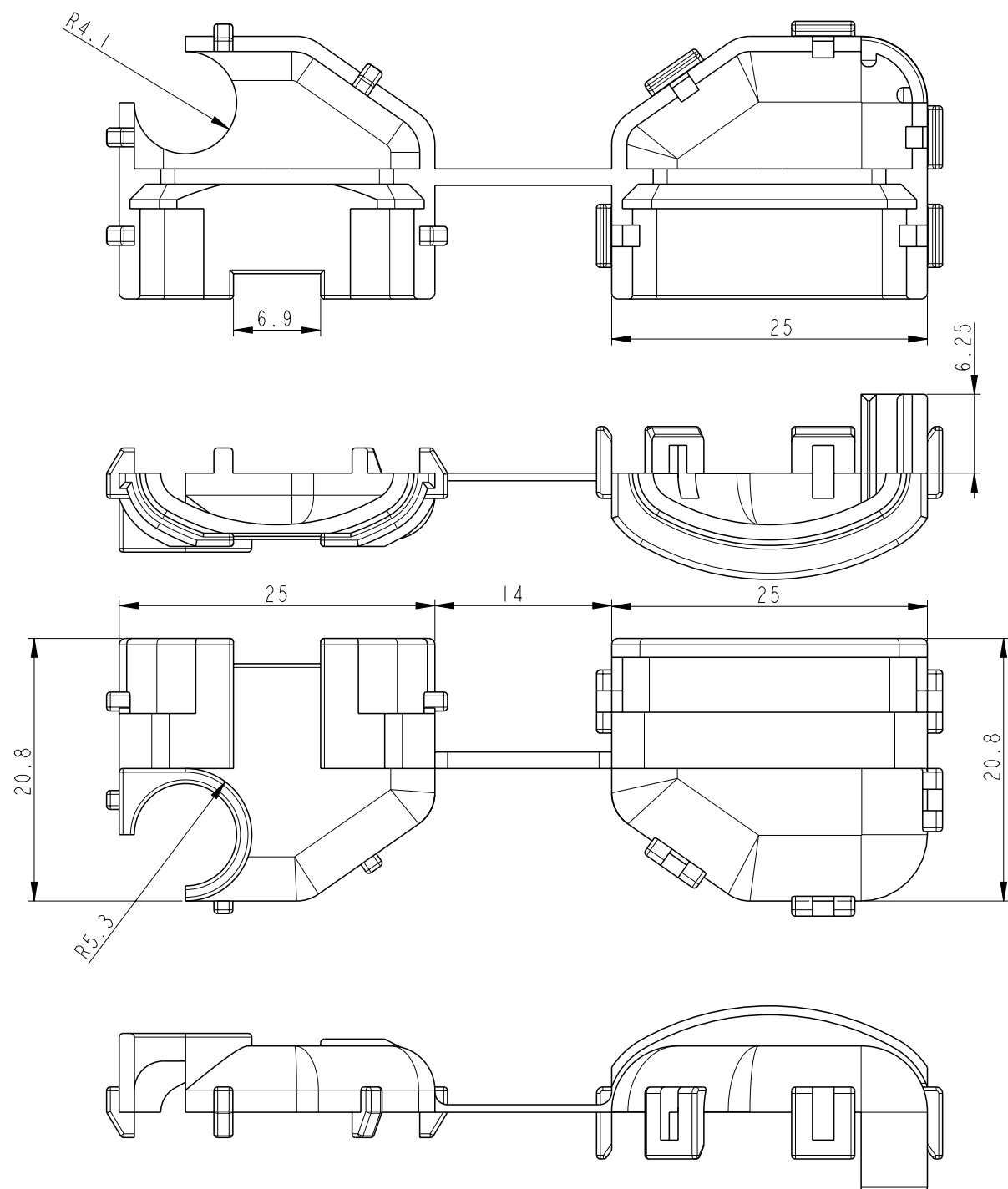
© COPYRIGHT 20

ALL RIGHTS RESERVED.

REVISIONS

P	LTR	DESCRIPTION	DATE	DWN	APVD
	A	RELEASED	04.MAR.'06	SB	JK
	B	REVISED(ECR-11-001500)	12.JAN.'10	JY	HG
	B1	REVISED(ECR-19-005471)	22.JAN.'19	JS	YJ
	B2	REVISED(ECR-19-008672)	31.MAY.'19	JS	YJ

TYPE 1 <1743645-X>

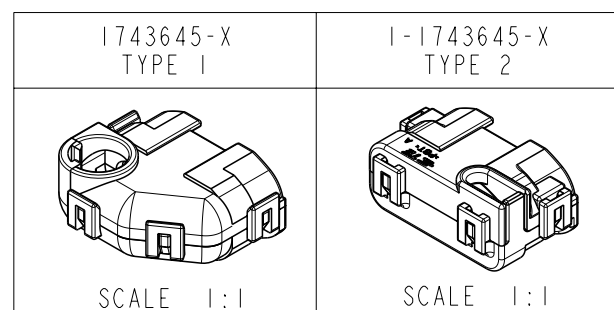


3D VIEW

NOTE

- GENERAL TOLERANCE : ± 0.3 , $\pm 3^\circ$
- APPLICABLE CONN'R P/N :
1-967412-1 (for 1743645-X), 1897702 (for 1-1743645-X)
- APPLICATION TEST SPEC : MS210-06C (EXCEPT 4.4)

NO	COLOR	MATERIAL	DESCRIPTION	P/N
3	BLACK	PBT	COVER HSG(TYPE2)	1-1743645-2
2	GRAY	PA66	COVER HSG(TYPE1)	1743645-3
1	BLACK	PA66	COVER HSG(TYPE1)	1743645-2



THIS DRAWING IS A CONTROLLED DOCUMENT.

DIMENSIONS: mm	TOLERANCES UNLESS OTHERWISE SPECIFIED:
	0 PLC \pm
	1 PLC \pm
	2 PLC \pm
	3 PLC \pm
	4 PLC \pm
	ANGLES \pm
MATERIAL SEE TABLE	FINISH -

DWN SB LEE
CHK KT LIM
APVD JK SONG
PRODUCT SPEC
APPLICATION SPEC
WEIGHT -
CUSTOMER DRAWING

TE TE Connectivity

NAME
WIRE COVER FOR JPT 2P PLUG
CONN'R (VERTICAL)

SIZE A3	CAGE CODE 00779	DRAWING NO 1743645	RESTRICTED TO -
------------	--------------------	-----------------------	--------------------

THIS DRAWING IS UNPUBLISHED.

RELEASED FOR PUBLICATION

20

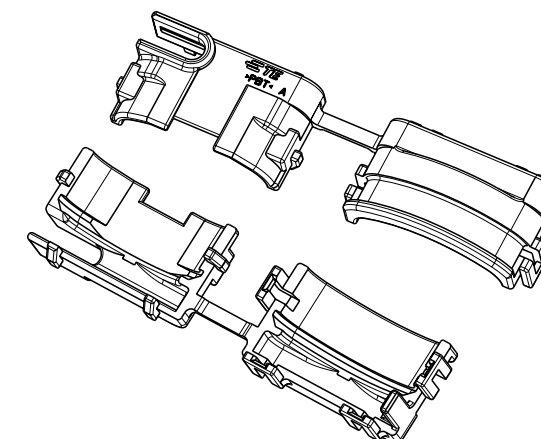
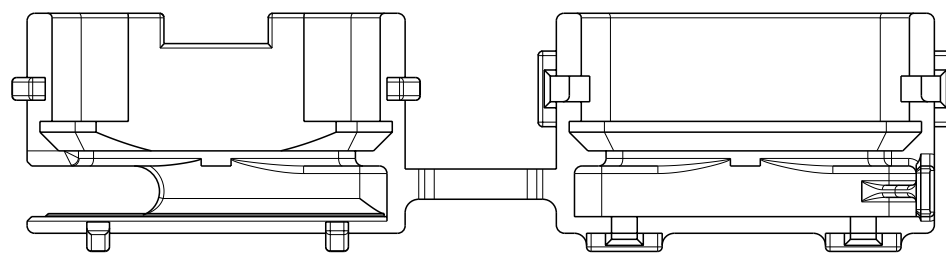
© COPYRIGHT 20 BY -

ALL RIGHTS RESERVED.

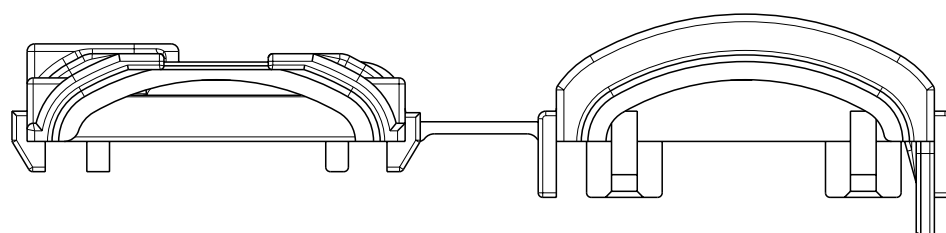
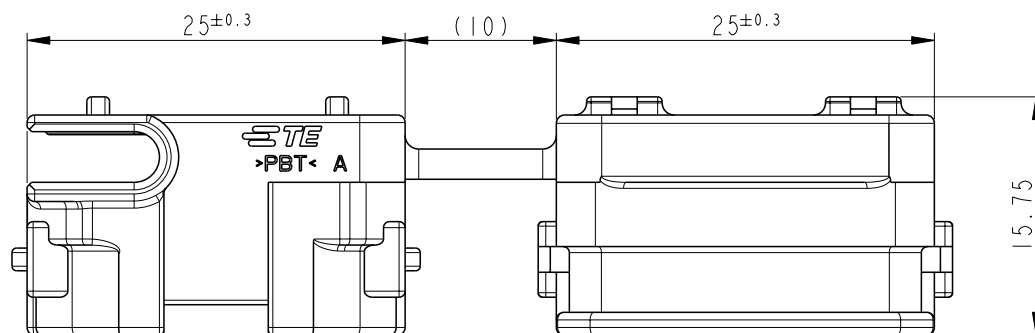
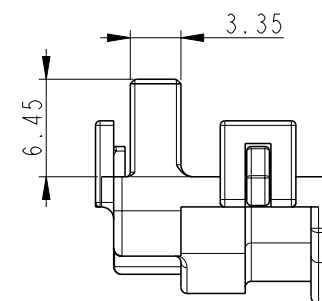
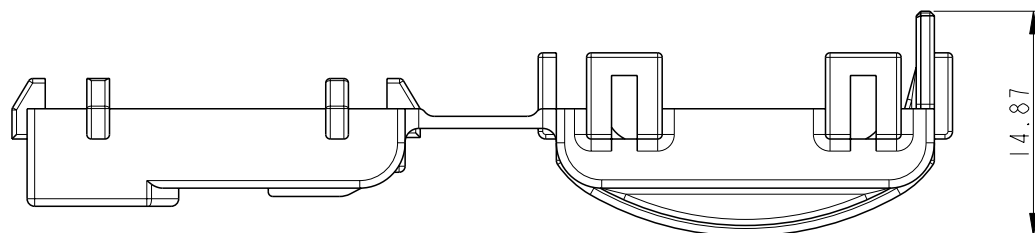
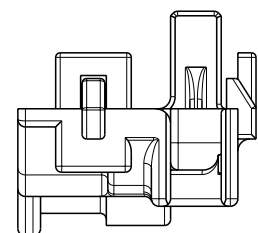
REVISIONS

P	LTR	DESCRIPTION	DATE	DWN	APVD
		SEE SHEET 1			

TYPE 2 <1-1743645-X>

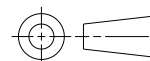


3D VIEW



THIS DRAWING IS A CONTROLLED DOCUMENT.

DIMENSIONS:
mm



TOLERANCES UNLESS OTHERWISE SPECIFIED.

- 0 PLC ±
- 1 PLC ±
- 2 PLC ±
- 3 PLC ±
- 4 PLC ±
- ANGLES ±
- FINISH -

MATERIAL
SEE SHEET 1

DWN	-
CHK	-
APVD	-
PRODUCT SPEC	-
APPLICATION SPEC	-
WEIGHT	-

SEE SHEET 1 OF 2



NAME
WIRE COVER FOR JPT 2P PLUG
CONN'R (VERTICAL)

SIZE	CAGE CODE	DRAWING NO	RESTRICTED TO
A3	00779	C-1743645	-

CUSTOMER DRAWING	SCALE 2:1	SHEET 2 OF 2	REV B2
------------------	-----------	--------------	--------

X-ON Electronics

Largest Supplier of Electrical and Electronic Components

Click to view similar products for [RF Connector Accessories](#) category:

Click to view products by [TE Connectivity](#) manufacturer:

Other Similar products are found below :

[89674-0712](#) [FERRULE-174](#) [R141802000](#) [R141842000](#) [R141862000W](#) [R280907000](#) [AX102907](#) [HP-500](#) [2098-3251-94](#) [KA-81-02](#) [KA-81-05](#) [KN-89-12](#) [89674-0805](#) [FERRULE-223](#) [202102-11](#) [R280468000](#) [R280510000](#) [RFI155-1](#) [RFI25-12-D3](#) [RFI25-4-D2](#) [RFI75-12-D2](#) [RFI97-14](#) [360HS001M2508M6](#) [4-1532137-4](#) [HRM-514S\(40\)](#) [5-21085-0](#) [111062-0490](#) [112122-SOD-LUG](#) [IPP-2014](#) [RFI95-14-D2](#) [1736-1511-075](#) [RFI75-2-D3](#) [RFI25-3-D3](#) [R280469010](#) [RFI85-4](#) [896110450](#) [660-024M09S5-01](#) [1403137-1](#) [360HB001M2512H](#) [360HS001M1716M3](#) [380HS115M2508H3](#) [380HS001M1716M4](#) [FERRULE-316DB](#) [105274-2000](#) [73415-1970](#) [R280755050W](#) [52014041A](#) [R447120000](#) [BNC-JCAP\(01\)](#) [415CPB-239-50F](#)