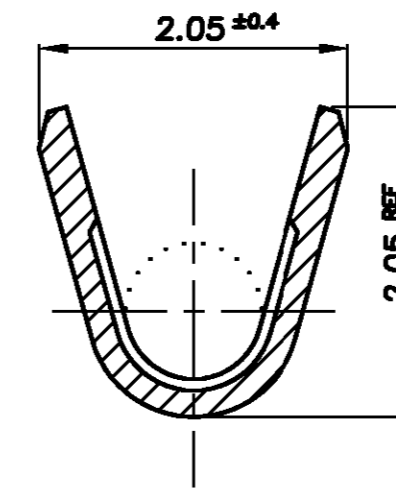
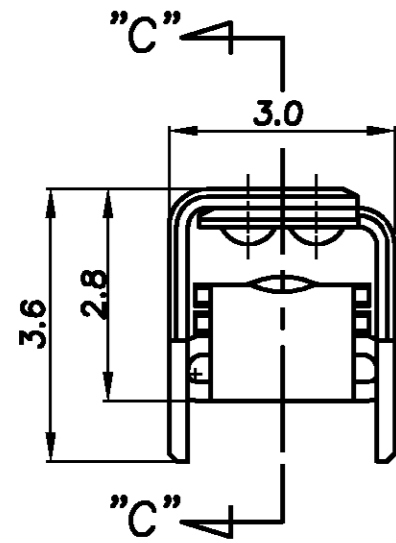
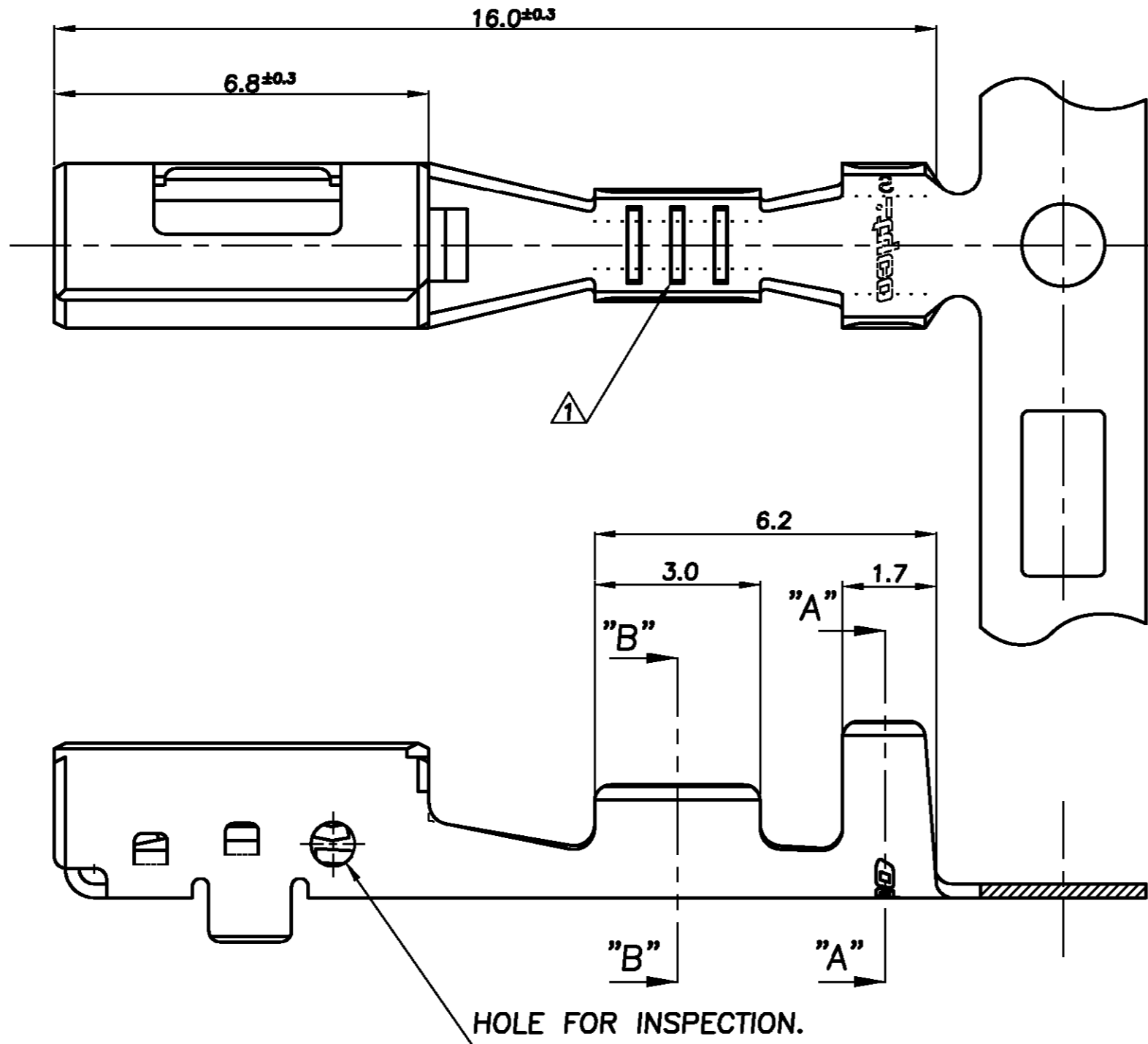
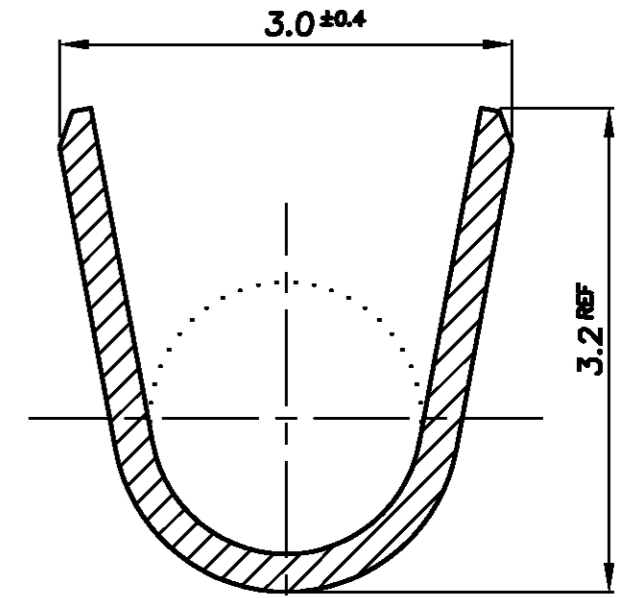


THIS DRAWING IS UNPUBLISHED. RELEASED FOR PUBLICATION  
 © COPYRIGHT BY TYCO ELECTRONICS CORPORATION, ALL RIGHTS RESERVED.

| LOC | DIST | REVISIONS |     |                        |            |     |      |
|-----|------|-----------|-----|------------------------|------------|-----|------|
|     |      | P         | LTR | DESCRIPTION            | DATE       | DWN | APVD |
|     |      | A         |     | RELEASED               | 24.APR.'06 | YH  | JK   |
|     |      | B         |     | REVISED(ECR-06-023269) | 12.OCT.'06 | BS  | JK   |



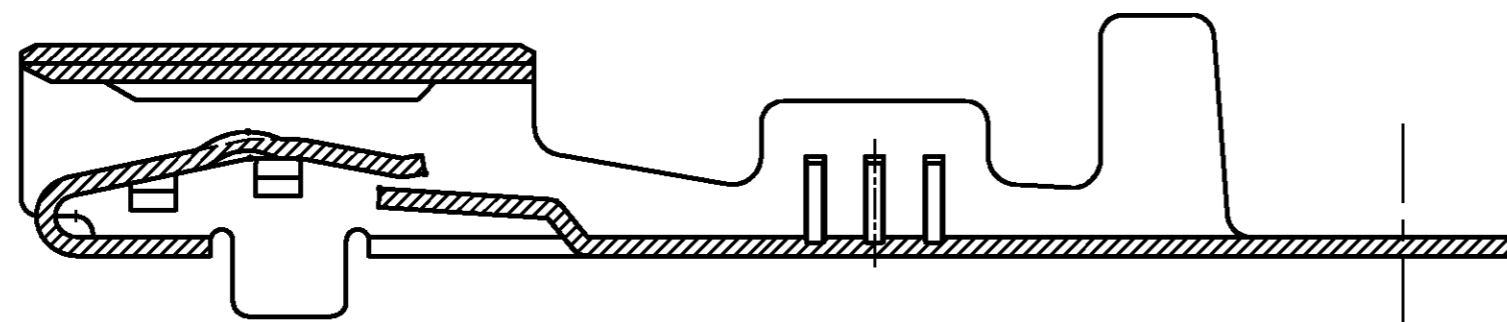
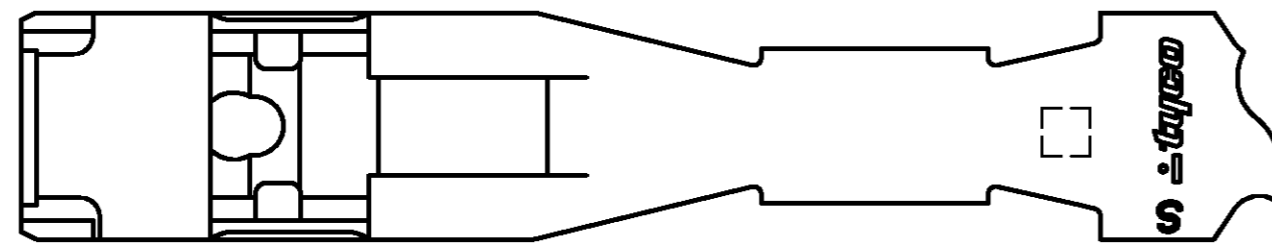
SECTION "B-B"  
Scale 20/1



SECTION "A-A"  
Scale 20/1

\* NOTES

- ▲ THREE SERRATIONS CENTERED IN WIRE BARREL
- ② WIRE SIZE EQUI CAVS 0.3 ~ AVSF 0.5 sqmm.
- ③ APPLIED HSG P/N : SEE 2/2 SHEET



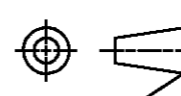
SECTION "C-C"

|   |  |  |  |   |  |
|---|--|--|--|---|--|
| PRE-TINNED  |  | CuNiSi Alloy 0.25THK                   |  | 1743654 -1  |  |
| FINISH  |  | MATERIAL                               |  | PART NUMBER   |  |
| DIMENSIONS: MM  |  | TOLERANCES UNLESS OTHERWISE SPECIFIED: |  | DWN BS YOO<br>CHK YH CHOI<br>APVD JK SONG<br>PRODUCT SPEC<br>APPLICATION SPEC<br><b>114-61014</b> |  |
| 0 <XX<10 ± 0.2<br>10<XX<30 ± 0.25<br>30<XX ± 0.3<br>ANGLES ± 3° |  | MATERIAL                               |  | NAME<br><b>tyco</b> AMP KOREA.<br>Electronics kyungsan, korea                                     |  |
| MATERIAL  |  | FINISH                                 |  | SIZE CAGE CODE DRAWING NO<br><b>A2 00779 C= 1 7 4 3 6 5 4</b>                                     |  |
| -   |  | -                                      |  | RESTRICTED TO   |  |
| -   |  | -                                      |  | WEIGHT<br>CUSTOMER DRAWING SCALE 10/1 SHEET 1 OF 2 REV B  |  |

THIS DRAWING IS UNPUBLISHED. RELEASED FOR PUBLICATION  
 © COPYRIGHT BY TYCO ELECTRONICS CORPORATION, ALL RIGHTS RESERVED.

| REVISIONS |      |   |     |                  |
|-----------|------|---|-----|------------------|
| LOC       | DIST | P | LTR | DESCRIPTION      |
| DS        | -    |   |     | SEE SHEET 1 OF 2 |
|           |      |   |     |                  |
|           |      |   |     |                  |

| NO | DESCRIPTION   | POS | P/N     |
|----|---|-----|---------|
| 1  | 090 III 2P PLUG ASS'Y                               | 2P  | 936224  |
| 2  | 090 III 4P PLUG ASS'Y                               | 4P  | 936227  |
| 3  | 090 III 6P PLUG ASS'Y(1ROW)                         | 6P  | 936230  |
| 4  | 090 III 6P PLUG ASS'Y(2ROW)                         | 6P  | 936268  |
| 5  | 090 III 6P PLUG ASS'Y(FOG S/W)                      | 6P  | 1743184 |
| 6  | 090 III 8P PLUG ASS'Y                               | 8P  | 936233  |
| 7  | 090 III 10P PLUG ASS'Y                              | 10P | 936092  |
| 8  | 090 III 12P PLUG ASS'Y                              | 12P | 936196  |
| 9  | 090 III 14P PLUG ASS'Y                              | 14P | 936199  |
| 10 | 090 III 16P PLUG ASS'Y                              | 16P | 936201  |
| 11 | 090 III 18P PLUG ASS'Y                              | 18P | 936204  |
| 12 | 090 III 20P PLUG ASS'Y                              | 20P | 936095  |
| 13 | 090 III 22P PLUG ASS'Y                              | 22P | 936151  |
| 14 | 090 III 26P PLUG ASS'Y                              | 26P | 936098  |
| 15 | 090/SPT HYB 2P PLUG ASS'Y                           | 2P  | 936568  |
| 16 | 090/SPT HYB 4P PLUG ASS'Y                           | 4P  | 936444  |
| 17 | 090/SPT HYB 10P PLUG ASS'Y                          | 10P | 936363  |
| 18 | 090/SPT HYB 12P PLUG ASS'Y                          | 12P | 936372  |
| 19 | 090/SPT HYB 14P PLUG ASS'Y                          | 14P | 368451  |
| 20 | 090/SPT HYB 16P PLUG ASS'Y                          | 16P | 368454  |
| 21 | 090/SPT HYB 18P PLUG ASS'Y                          | 18P | 368497  |
| 22 | 090/SPT HYB 20P PLUG ASS'Y                          | 20P | 368457  |
| 23 | 090/SPT HYB 32P PLUG ASS'Y                          | 32P | 936321  |
| 24 | 090/SPT HYB 40P PLUG ASS'Y                          | 40P | 936352  |
| 25 | 090/SPT HYB 76P PLUG ASS'Y                          | 76P | 936195  |
| 26 | 040/090/JPT HYBRID CONNECTOR 39P PLUG ASS'Y         | 39P | 936405  |
| 27 | 040/090/JPT HYBRID CONNECTOR PLUG 20P               | 20P | 936517  |
| 28 | 090 25P PLUG FOR DOOR TO BODY                       | 25P | 936369  |
| 29 | 090 30P PLUG FOR DOOR TO BODY                       | 30P | 368488  |
| 30 | 090 33P PLUG FOR DOOR TO BODY                       | 33P | 936283  |
| 31 | 040/090 III HYBRID 14P PLUG                         | 14P | 1743247 |
| 32 | 090 III PLUG ASS'Y FOR 62P CONN                     | 62P | 1743346 |
| 33 | 090/250 HYB 40P PLUG HSG ASS'Y                      | 40P | 936063  |
| 34 | 090/250/MCP 9.5 HYBRID 82P PLUG ASS'Y               | 82P | 1743033 |
| 35 | 090/250 HYBRID 92P PLUG ASS'Y                       | 92P | 1743037 |
| 36 | 090/250 HYBRID 56P PLUG ASS'Y                       | 56P | 1743029 |
| 37 | PLUG ASSEMBLY CONNECTOR FOR HYB 42P(.040/.090)      | 42P | 1743098 |
| 38 | PLUG ASSEMBLY CONNECTOR FOR HYB 39P(.040/.090/.250) | 39P | 1743089 |
| 39 | 040/090 HYBRID 39P PLUG ASSY FOR LIF CONNECTOR(LHD) | 39P | 1743531 |
| 40 | 040/090/MCP HYB 42P PLUG FOR ASSY DOOR BODY         | 42P | 1743680 |

|  |  |   |                     |  |               |
|--|--|---|---------------------|--|---------------|
| FINISH   |  | MATERIAL  |                     | PART NUMBER  |               |
| DWN  |  | CHK   |                     | APVD   |               |
| DIMENSIONS:<br>MM<br> |  | TOLERANCES UNLESS OTHERWISE SPECIFIED:<br>0 <XX<10 ± 0.2<br>10<XX<30 ± 0.25<br>30<XX ± 0.3<br>ANGLES ± 3° |                     | tyco<br>Electronics<br>AMP KOREA,<br>kyungsan, korea<br>NAME<br><b>090 III MLC RECEPTACLE(S)</b> |               |
| MATERIAL   |  | FINISH  |                     | WEIGHT   |               |
| -  |  | -   |                     | -  |               |
| CUSTOMER DRAWING   |  | SCALE 10/1  | SHEET 2 OF 2        | REV B  | RESTRICTED TO |
| SIZE A2  |  | CAGE CODE 00779   | DRAWING NO. 1743654 | -  |               |

## X-ON Electronics

Largest Supplier of Electrical and Electronic Components

*Click to view similar products for [Automotive Connectors](#) category:*

*Click to view products by [TE Connectivity](#) manufacturer:*

Other Similar products are found below :

[003-018-000](#) [60403001](#) [60993906-B](#) [M902-2131](#) [M902-2161](#) [72.330.1035.1](#) [73.353.4028.0](#) [F119300-B](#) [F166900](#) [F258300-B](#) [F358300-B](#)  
[F407400](#) [F444110](#) [F487000](#) [F509500B-B](#) [827153-1](#) [8N1515-32-24P](#) [9-1326729-8](#) [925474-1](#) [928905-1](#) [964562-4](#) [968782-1](#) [GT17SA-8DS-](#)  
[HU](#) [98891-1012](#) [98947-1016](#) [12004147](#) [12004475-L](#) [12010290](#) [12010309-B](#) [12015454](#) [12020219-B](#) [12020308](#) [12041318-B](#) [12052225-L](#)  
[12052466](#) [12059125](#) [12064869](#) [12004327-B](#) [12010503-B](#) [12015308](#) [12015384](#) [12015909](#) [1-21030-1](#) [12041254](#) [12041318](#) [12047946-B](#)  
[12047957](#) [12047957-L](#) [12059473](#) [12066261](#)