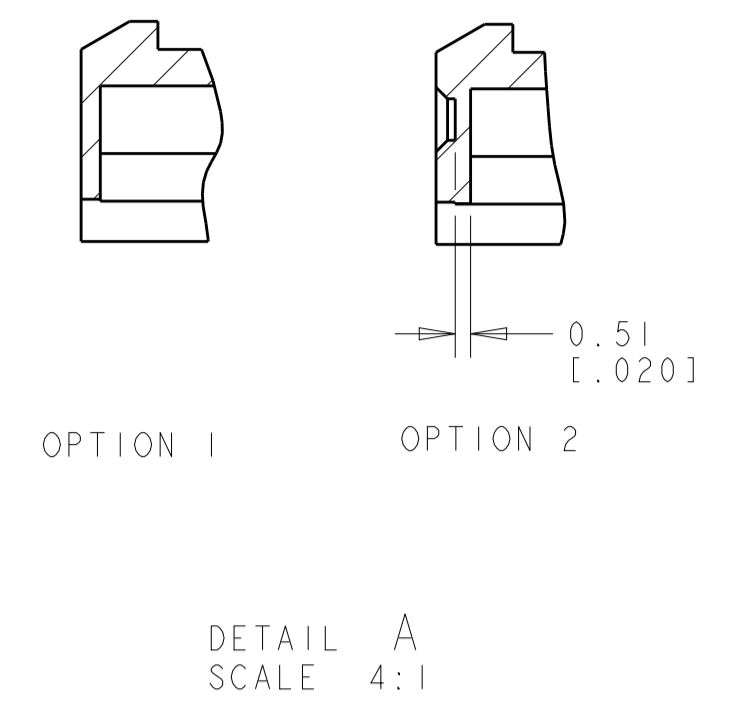
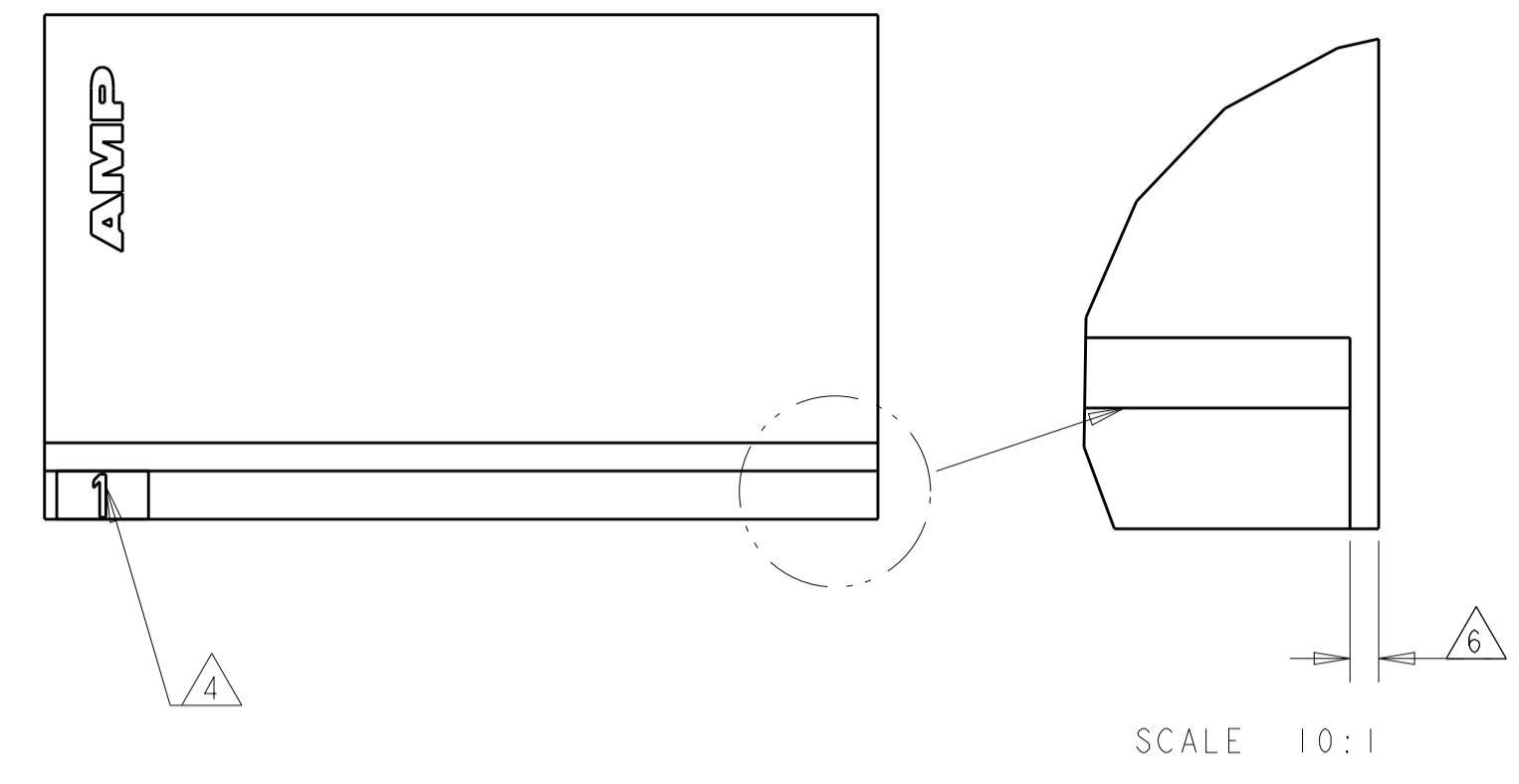
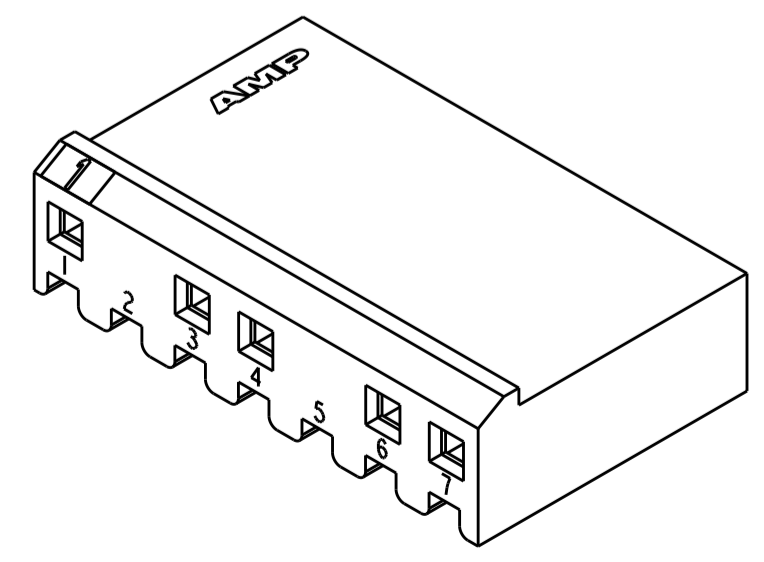
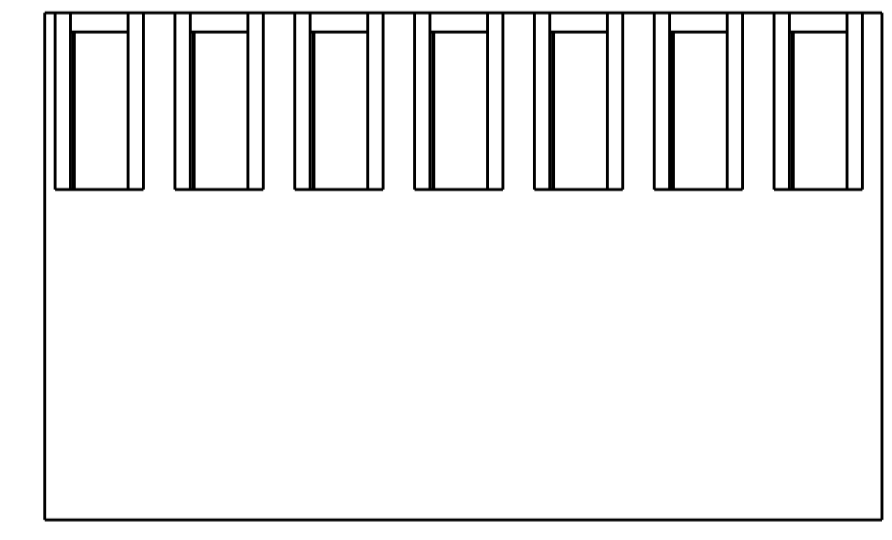
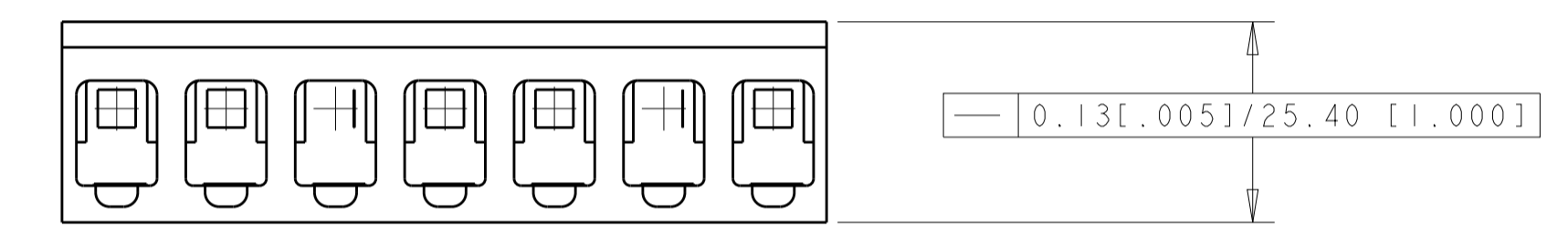
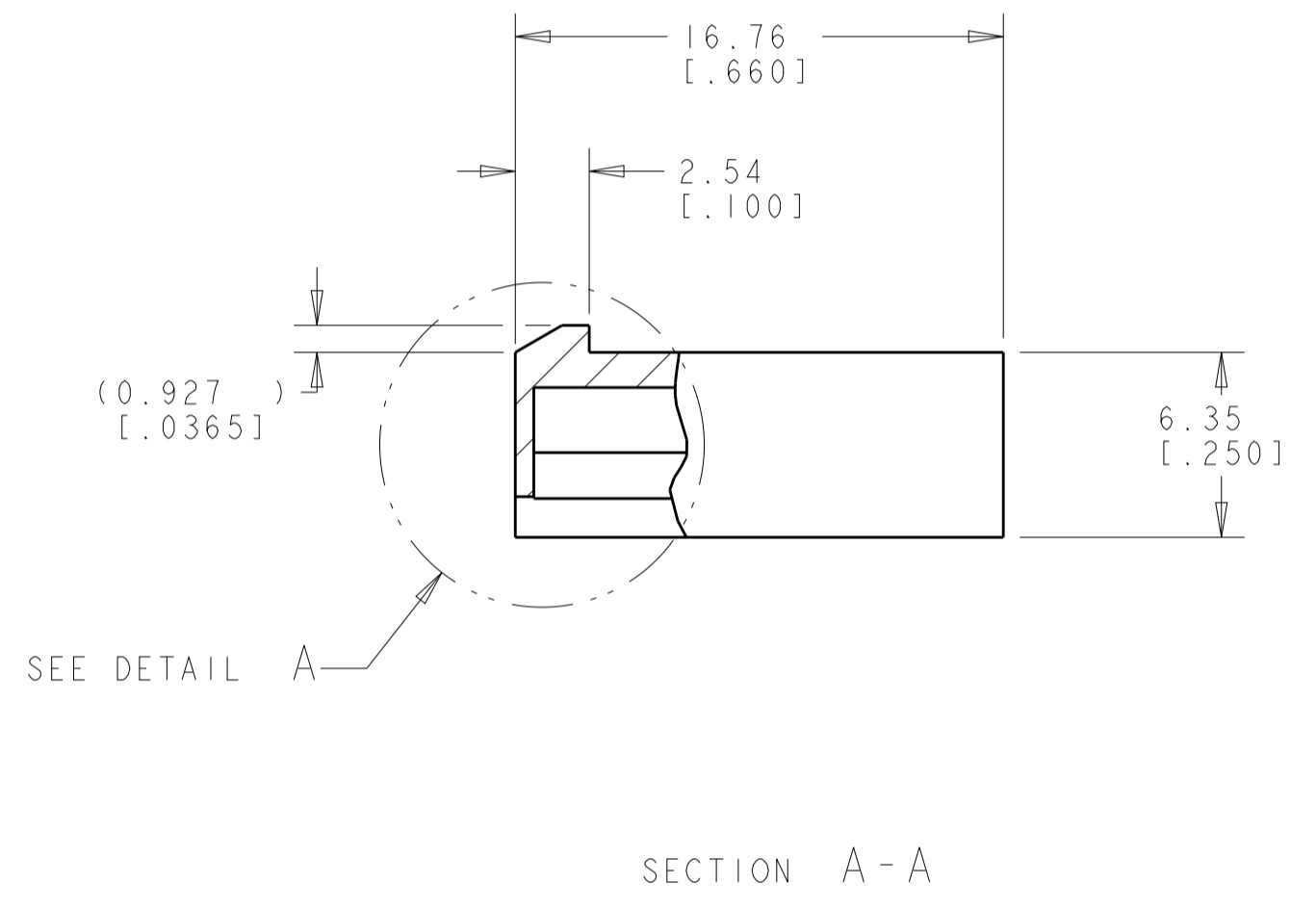
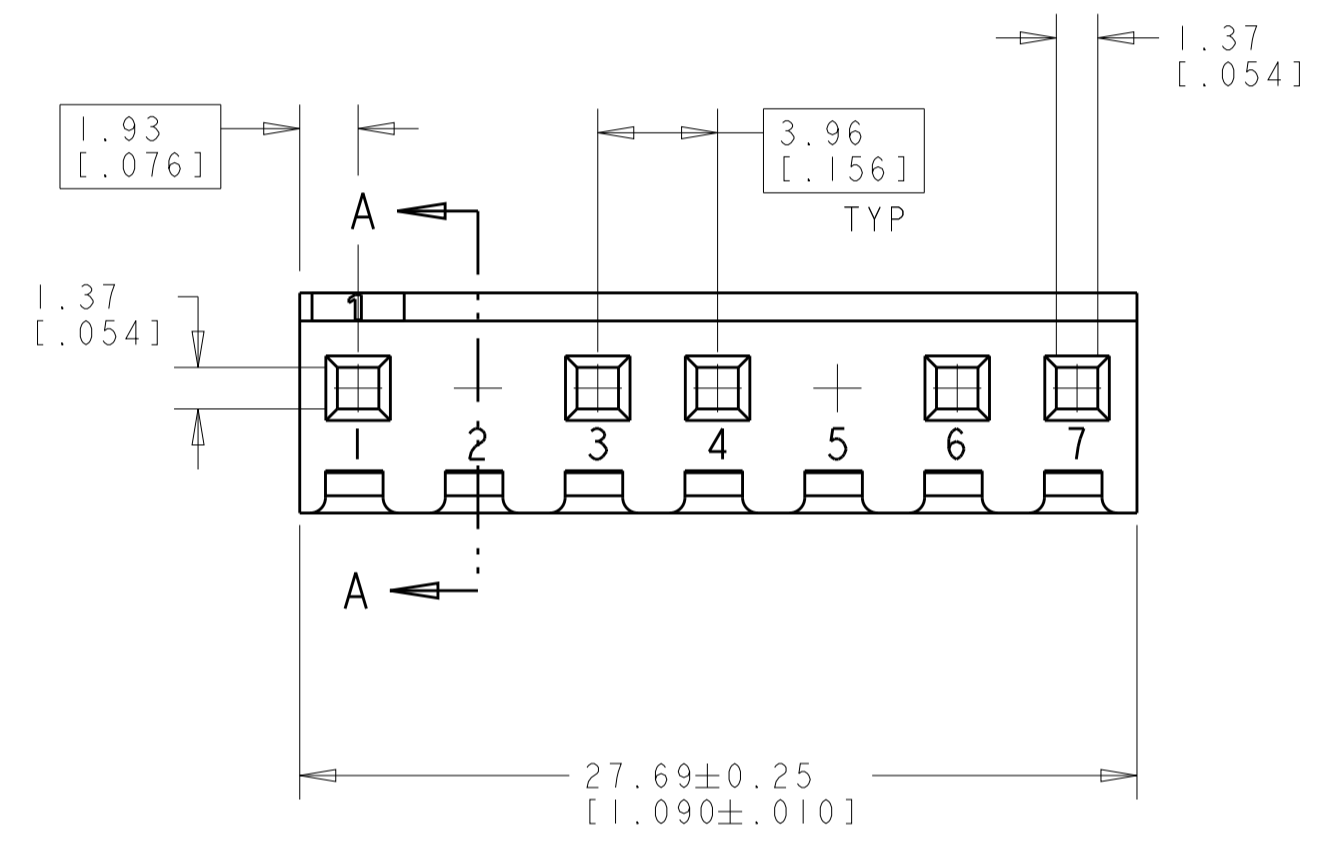


LOC		DIST		REVISIONS			
CM	00	P	LTH	DESCRIPTION	DATE	DWN	APVD
		B		REVISED PER ECR-13-008203	20JUN2013	KH	JR



1. UNIT ACCEPTS 1.14 [0.045] SQUARE OR ROUND POST.
2. UNIT ACCEPTS STANDARD SL-156 CONTACTS.
3. UNIT ACCEPTS KEYING PLUG 640254-1 AND KEYING PIN 640255-1.
4. CIRCUIT I.D. NUMBER(S) TO BE LOCATED SEQUENTIALLY AS SHOWN OR ONLY NO. 1 CIRCUIT PLACED ON LOCKING RAMP.
5. DIMENSION IN BRACKETS ARE IN INCHES.
6. OPTIONAL CONSTRUCTION (BOTH CORNERS) UP TO 0.38 [0.015].
7. DETAIL SHOWS A CIRCUITS 2 AND 5 MOLDED CLOSED. EITHER OPTION 1 OR OPTION 2 MAY BE USED.



3-DIMENSIONAL MODEL  
SCALE 3:1

7	1744008-7
NO OF CIRCUITS	PART NUMBER

THIS DRAWING IS A CONTROLLED DOCUMENT.		DWN R. WHITAKER 15-JAN-04	TE Connectivity
DIMENSIONS: mm [INCHES]		CHK J. ELLIS 15-JAN-04	
TOLERANCES UNLESS OTHERWISE SPECIFIED:		APVD J. ELLIS 15-JAN-04	NAME HOUSING, WITH LOCKING RAMP, CIRCUIT 2 AND 5 BLOCKED, SL-156
0 PLC ±	1 PLC ±	PRODUCT SPEC	SIZE A100779C=1744008
2 PLC ±0.13 [0.005]	3 PLC ±	APPLICATION SPEC	RESTRICTED TO
4 PLC ±	5 PLC ±	WEIGHT	
ANGLES ±40°/30°	FINISH	CUSTOMER DRAWING	SCALE 1:1 SHEET 1 OF 1 REV B
MATERIAL NYLON, UL 94V-0 NATURAL			

## X-ON Electronics

Largest Supplier of Electrical and Electronic Components

*Click to view similar products for [Headers & Wire Housings](#) category:*

*Click to view products by [TE Connectivity](#) manufacturer:*

Other Similar products are found below :

[892-18-020-10-001101](#) [58102-G61-06LF](#) [582553-1](#) [0009485154](#) [009176003701906](#) [0050291907](#) [LY20-4P-DT1-P1E-BR](#) [02.125.8002.8](#)  
[609-3404](#) [61062-3](#) [61082-181009](#) [622-3653LF](#) [63453-116](#) [636-1030](#) [636-1427](#) [636-3427](#) [636-4007](#) [641938-9](#) [641991-4](#) [644827-2](#) [65817-010LF](#) [65817-015LF](#) [65863-015LF](#) [66207-023LF](#) [67095-007LF](#) [67601157](#) [68645-018](#) [68648-049](#) [70.362.1628.0](#) [70-4210](#) [70-4226B](#) [70-4853B](#) [707-5020](#) [707-5028](#) [71.350.2428.0](#) [71918-208LF](#) [71961-016LF](#) [733-134](#) [733-162](#) [754199-000](#) [760-3052](#) [787-8014-00](#) [79531-3000](#)  
[FCN-360C032-B](#) [FCN-367T-T012/H](#) [FCN-723D010/2](#) [80.063.4001.1](#) [800-90-001-10-001000](#) [800-90-010-10-002000](#) [801-43-002-10-013000](#)