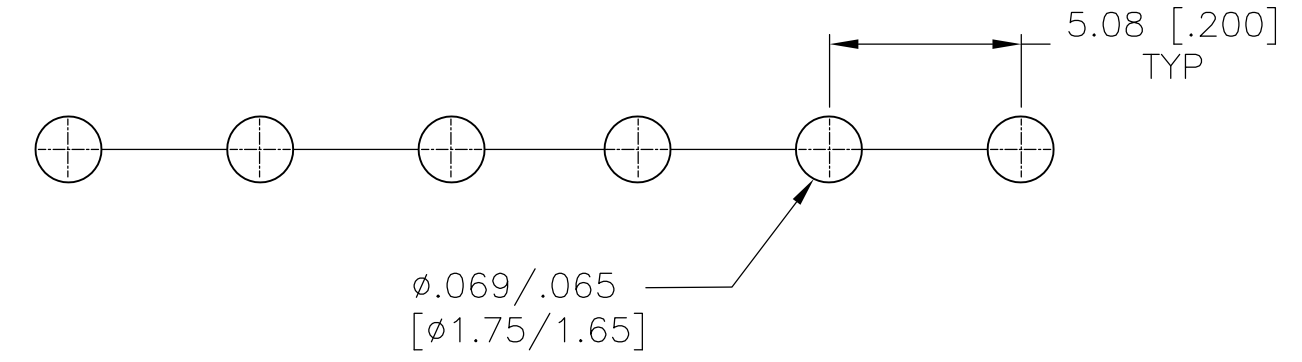
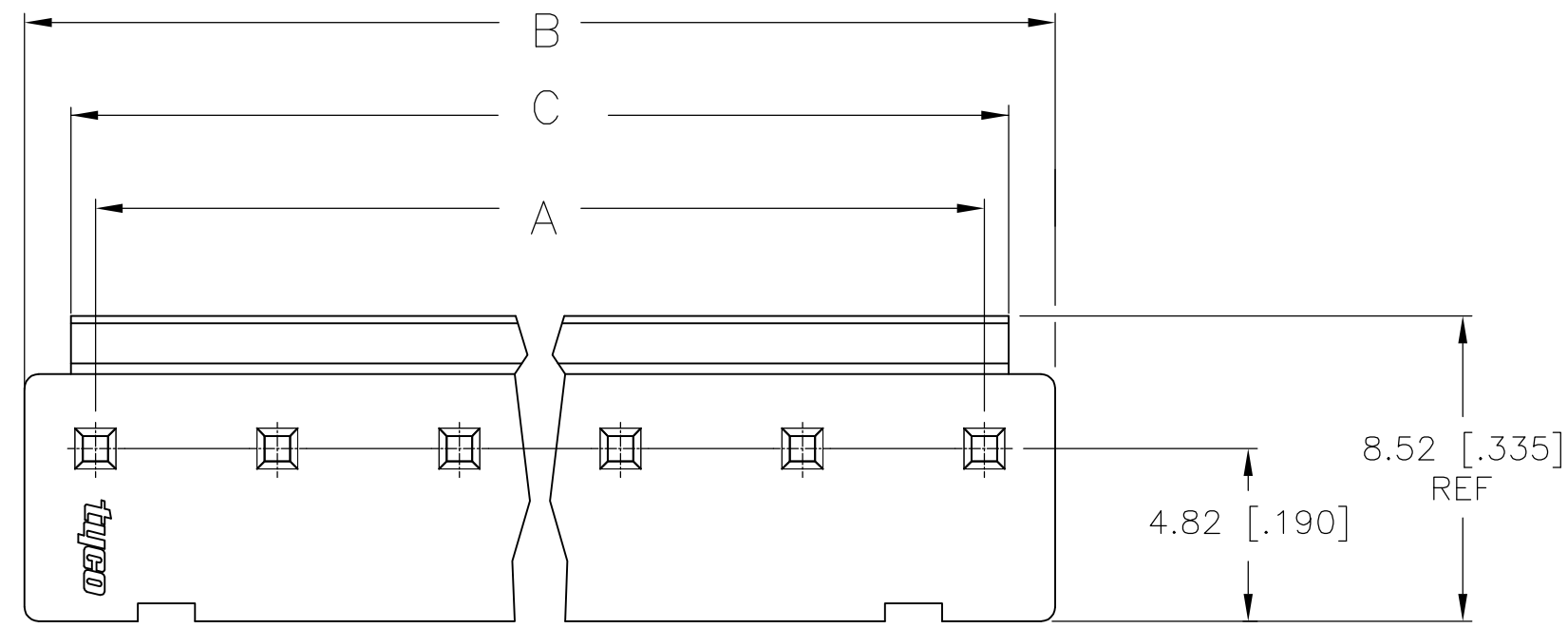
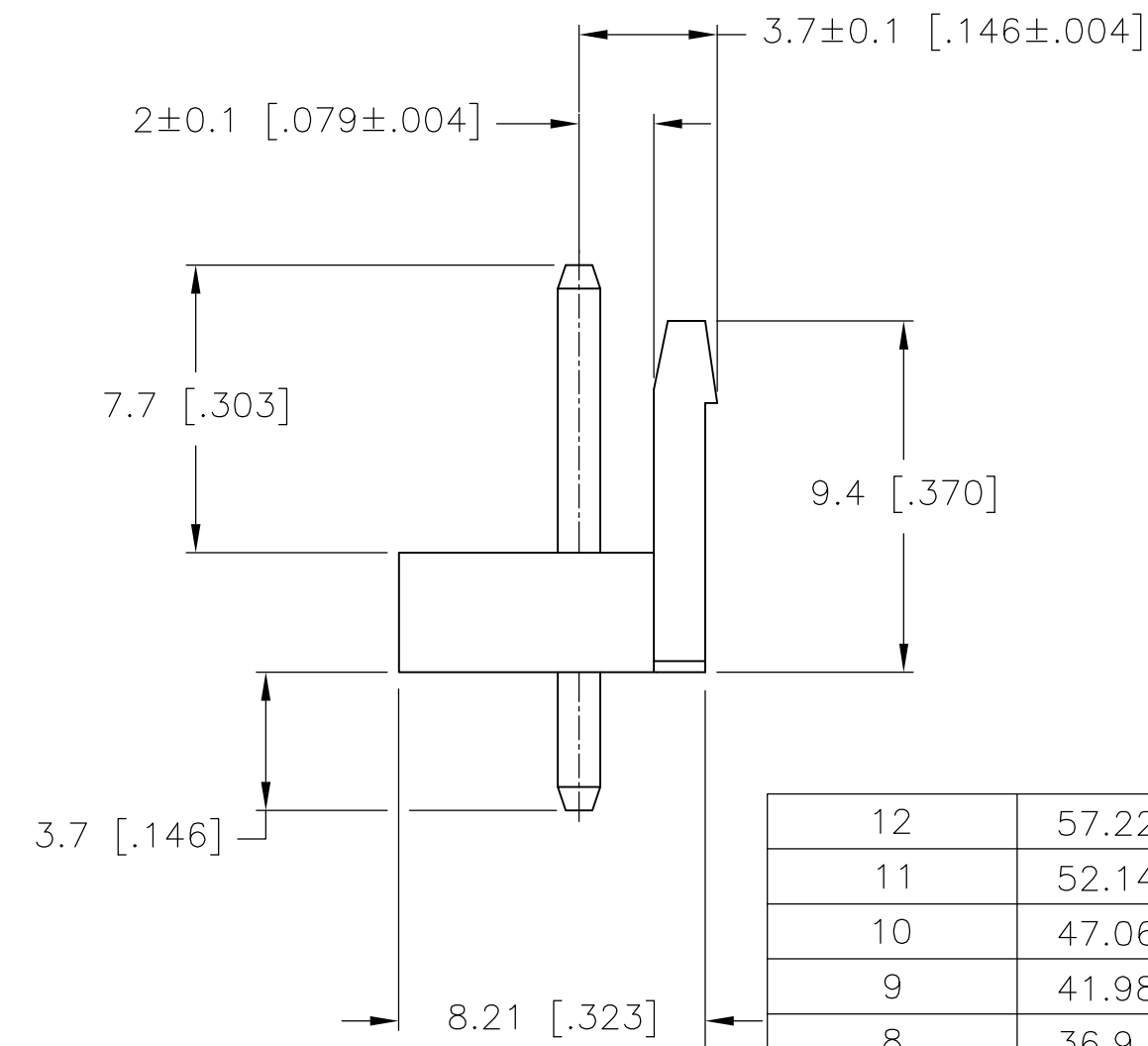
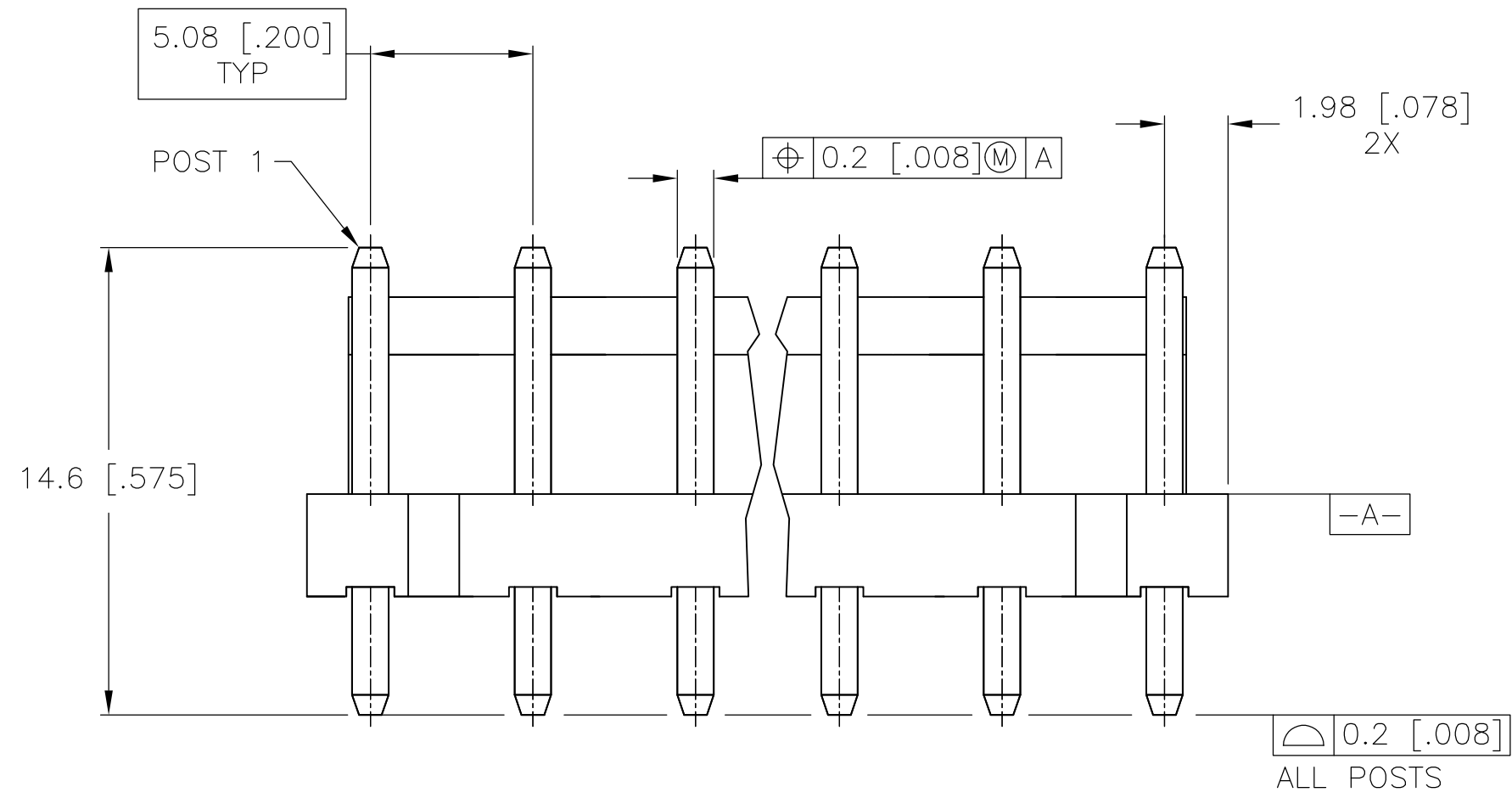


THIS DRAWING IS UNPUBLISHED. RELEASED FOR PUBLICATION
 © COPYRIGHT By - ALL RIGHTS RESERVED.

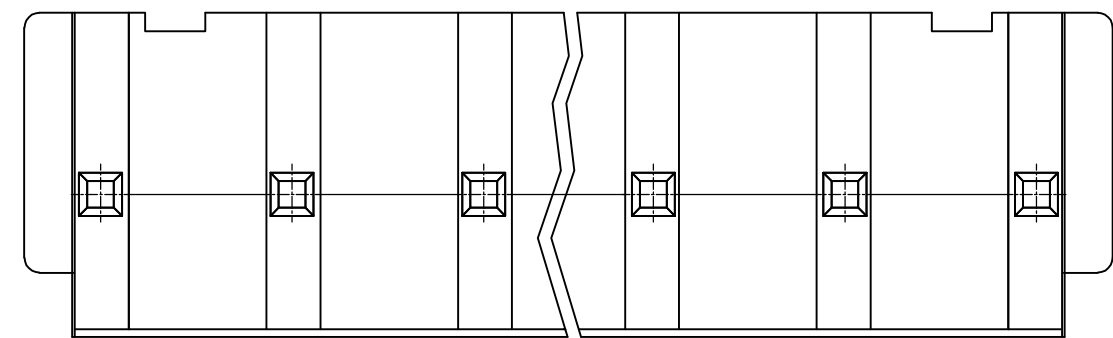
LOC		DIST		REVISIONS			
P	LTR	DESCRIPTION		DATE	DWN	APVD	
GP	00	A2	REVISED PER ECR-15-008260		03JUN2015	O.C	D.Z



RECOMMENDED PC BOARD LAYOUT



1. HOUSING MATERIAL: NYLON 66, UL94V-0, NATURAL.
2. CONTACT MATERIAL: COPPER ALLOY
3. CONTACT PLATING: 0.003[.000120] MIN TIN OVER 0.001[.000039] MIN NICKEL



12	57.22 [2.254]	59.84 [2.357]	55.88 [2.200]	1-1744037-2
11	52.14 [2.054]	54.76 [2.157]	50.8 [2.000]	1-1744037-1
10	47.06 [1.854]	49.68 [1.957]	45.72 [1.800]	1-1744037-0
9	41.98 [1.654]	44.6 [1.757]	40.64 [1.600]	1744037-9
8	36.9 [1.453]	39.52 [1.557]	35.56 [1.400]	1744037-8
7	31.82 [1.253]	34.44 [1.356]	30.48 [1.200]	1744037-7
6	26.74 [1.053]	29.36 [1.156]	25.4 [1.000]	1744037-6
5	21.66 [.853]	24.28 [.956]	20.32 [.800]	1744037-5
4	16.58 [.653]	19.2 [.756]	15.24 [.600]	1744037-4
3	11.5 [.453]	14.12 [.556]	10.16 [.400]	1744037-3
2	6.42 [.253]	9.04 [.356]	5.08 [.200]	1744037-2
NO OF POSITIONS	DIM C ± 0.2 [.008]	DIM B ± 0.3 [.012]	DIM A ± 0.3 [.012]	PART NUMBER

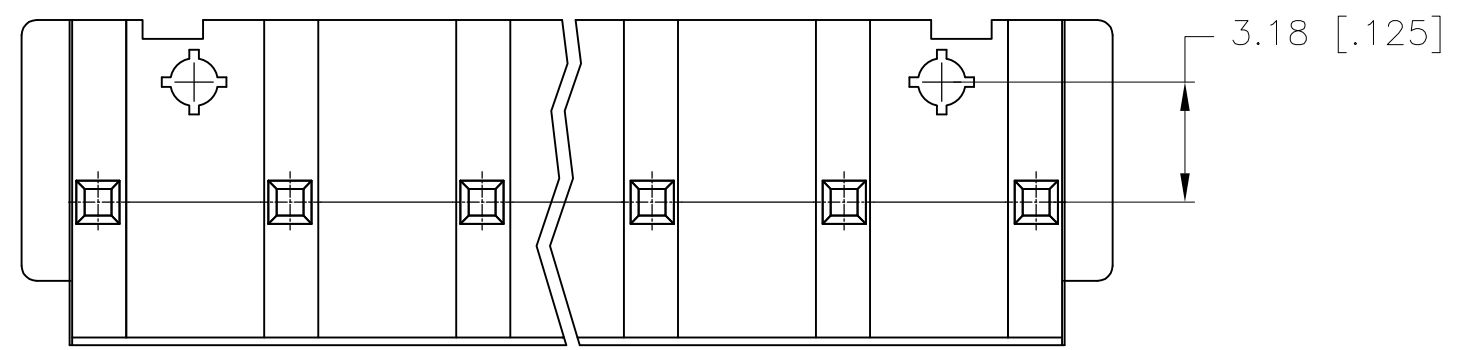
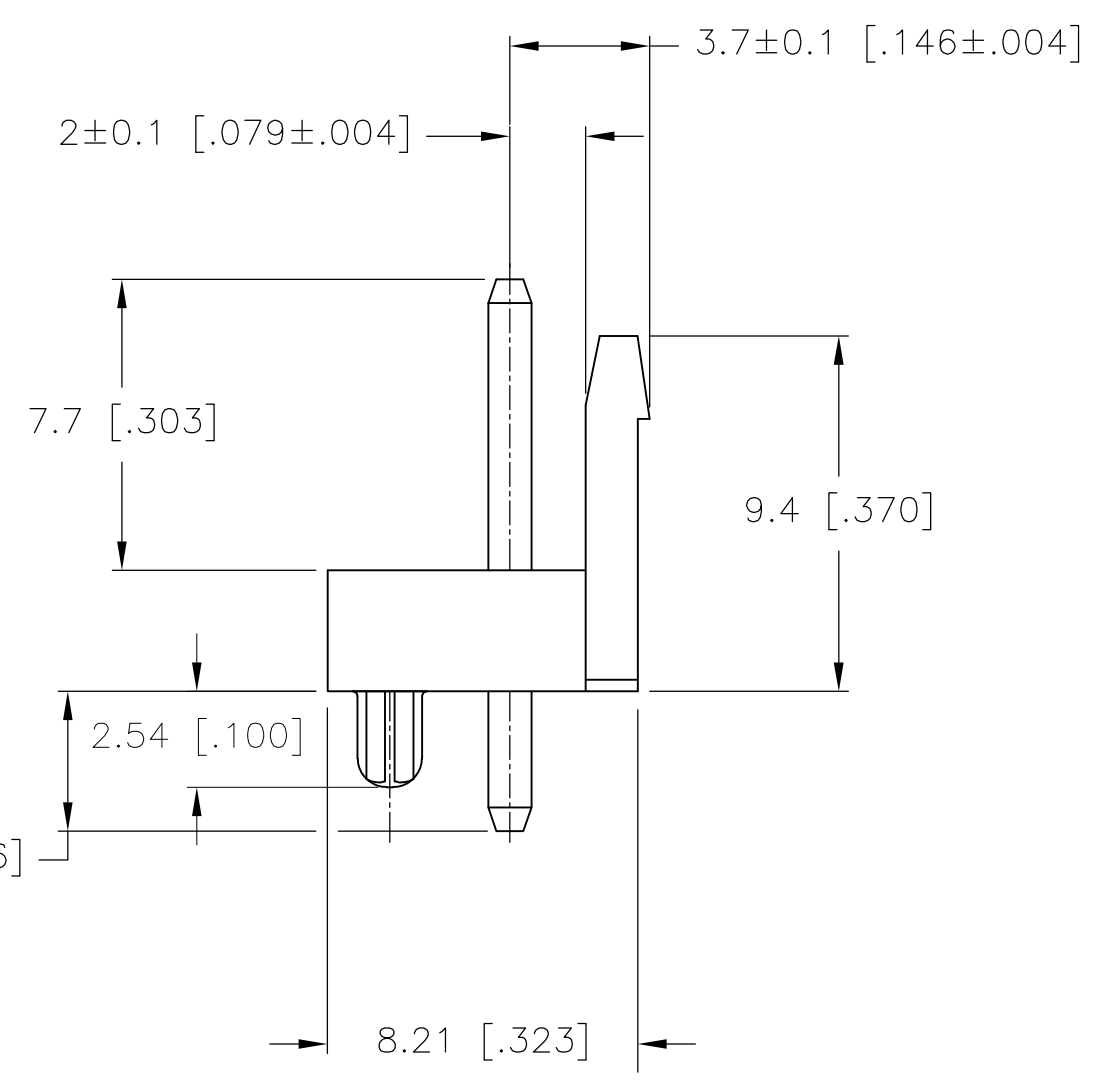
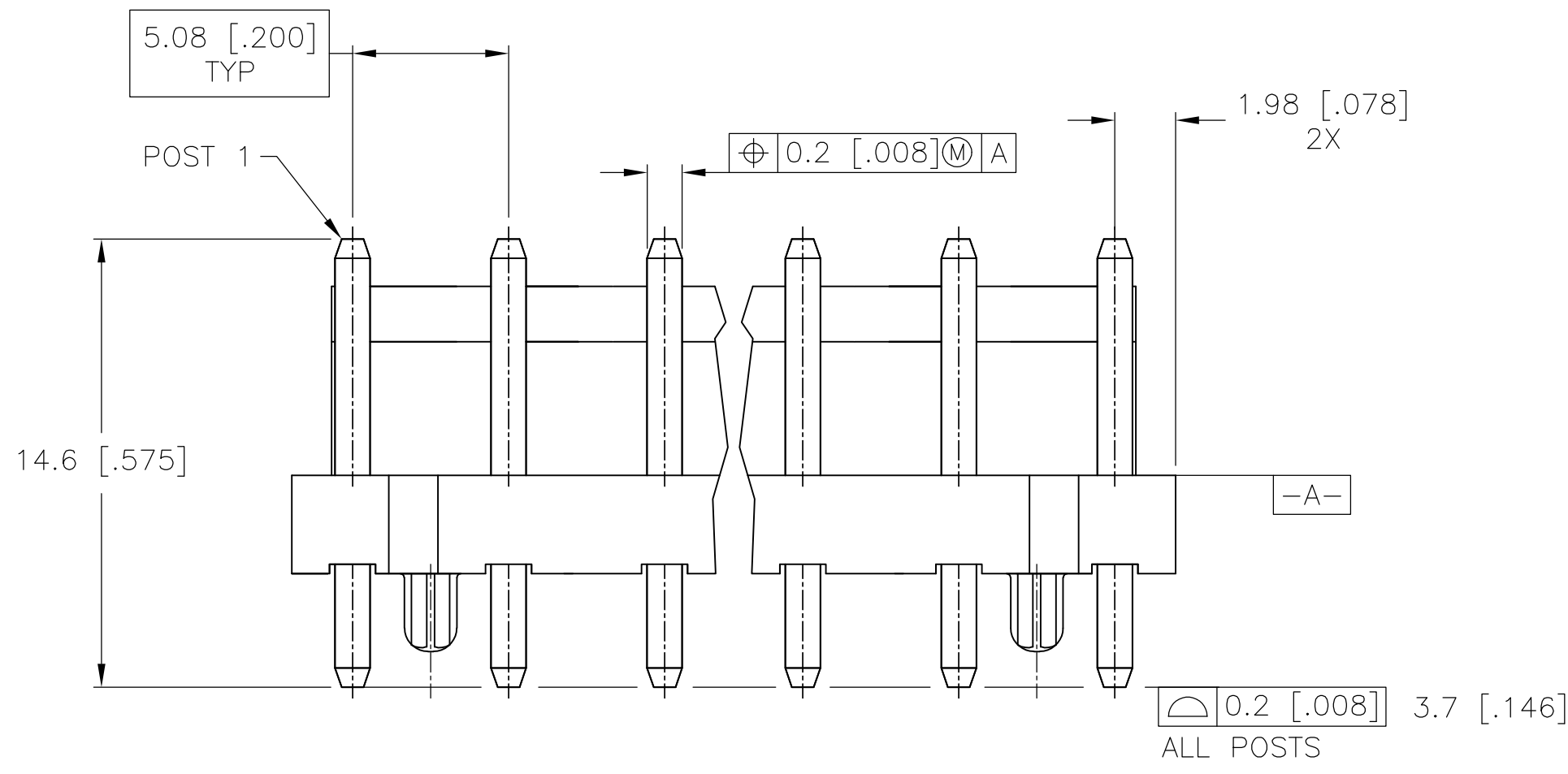
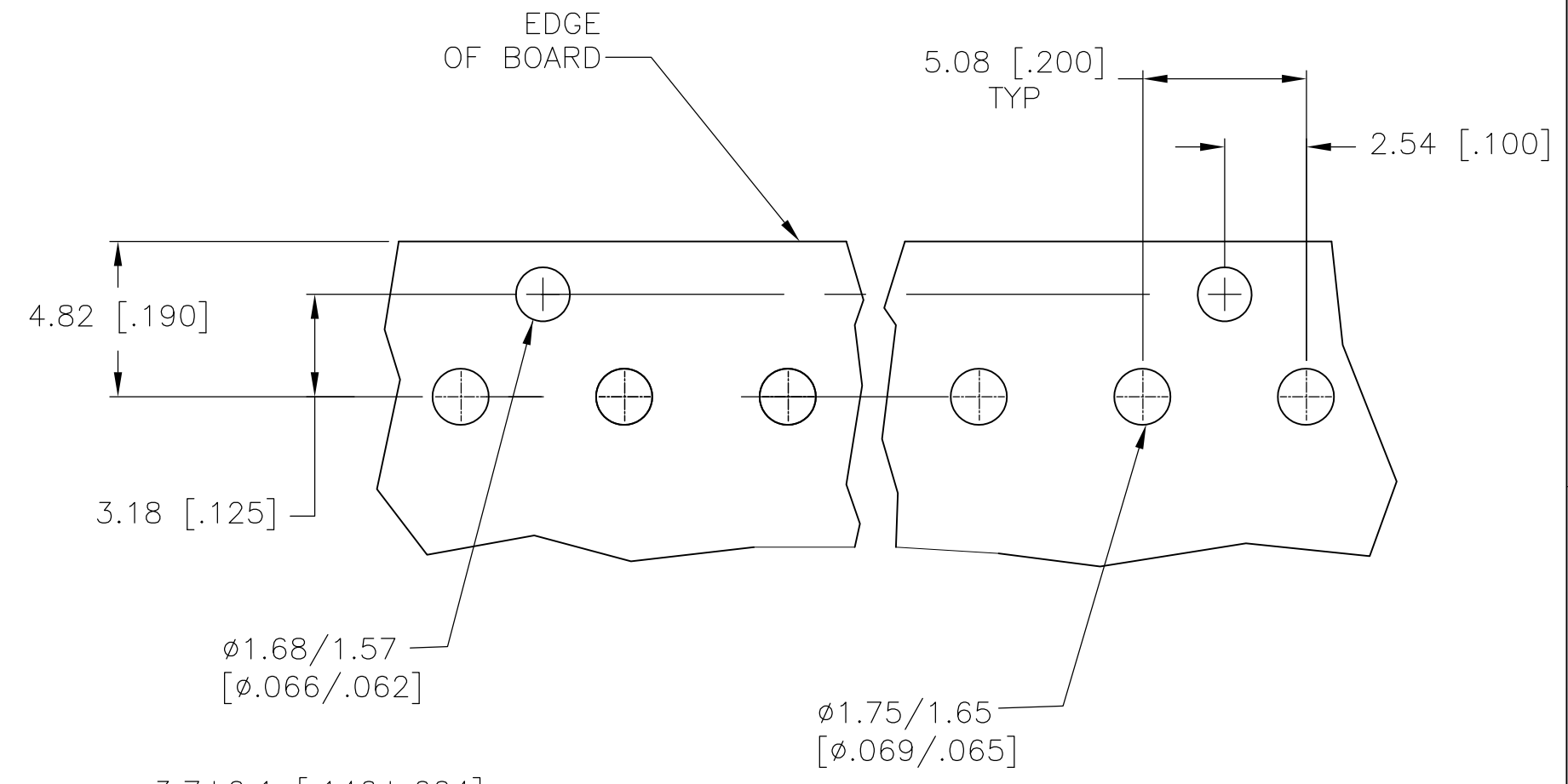
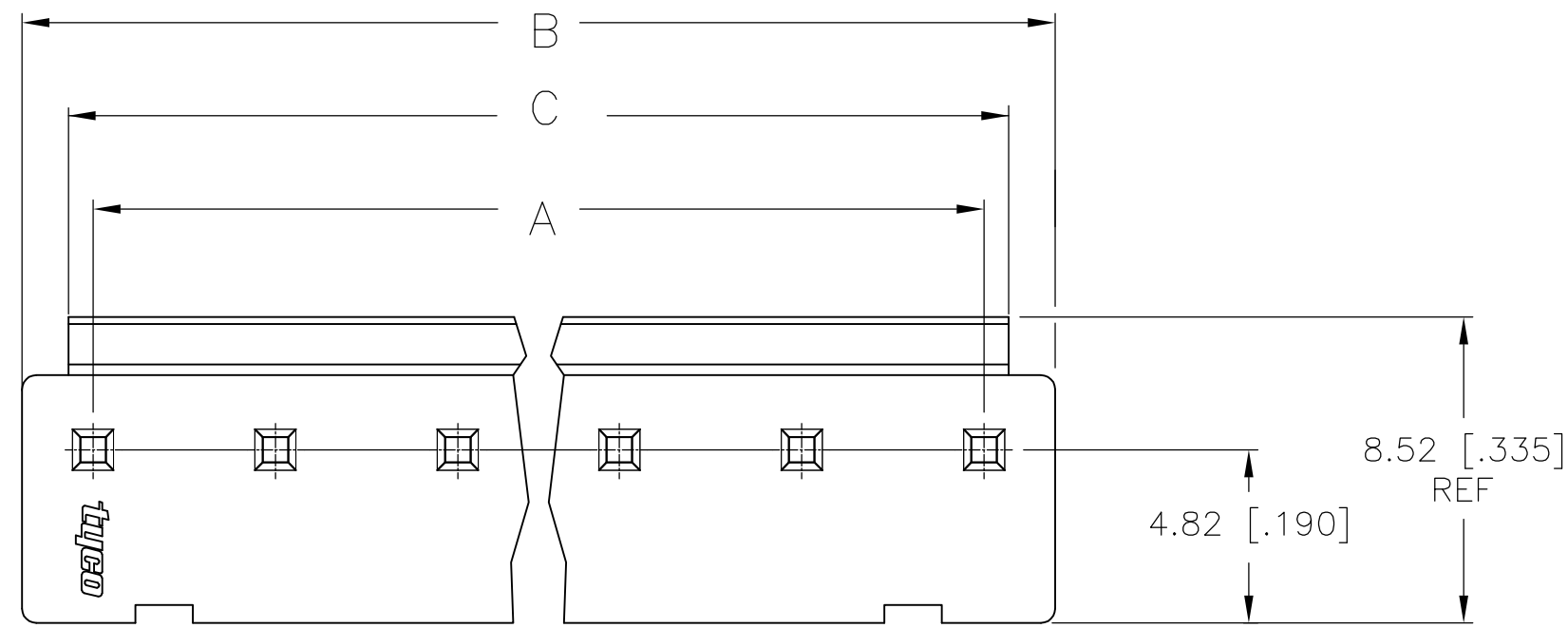
THIS DRAWING IS A CONTROLLED DOCUMENT.

DIMENSIONS: mm [INCHES]	TOLERANCES UNLESS OTHERWISE SPECIFIED: 0 PLC ± - 1 PLC ± 0.25 [.010] 2 PLC ± 0.15 [.006] 3 PLC ± - 4 PLC ± - ANGLES ± - FINISH	DWN S. HOOVER 01-APR-2004 CHK J. ELLIS 01-APR-2004 APVD J. ELLIS 01-APR-2004 PRODUCT SPEC APPLICATION SPEC WEIGHT CUSTOMER DRAWING	NAME TE Connectivity HEADER ASSEMBLY-ECONOMY POWER VERTICAL, .200 CENTERLINE SIZE A2 CAGE CODE 00779 DRAWING NO C=1744037 RESTRICTED TO - SCALE N/A SHEET 1 of 2 REV A2
----------------------------	---	--	--

MATERIAL SEE NOTES

THIS DRAWING IS UNPUBLISHED. RELEASED FOR PUBLICATION
 © COPYRIGHT By - ALL RIGHTS RESERVED.

LOC		DIST		REVISIONS			
P	LTR	DESCRIPTION		DATE	DWN	APVD	
GP	00	-	-	SEE SHEET 1	-	-	



6	26.74 [1.053]	29.36 [1.156]	25.4 [1.000]	3-1744037-6
NO OF POSITIONS	DIM C ±0.2 [0.008]	DIM B ±0.3 [0.012]	DIM A ±0.3 [0.012]	PART NUMBER

THIS DRAWING IS A CONTROLLED DOCUMENT.		DWN S. HOOVER 01-APR-2004	STE TE Connectivity
DIMENSIONS: mm [INCHES]		CHK J. ELLIS 01-APR-2004	
TOLERANCES UNLESS OTHERWISE SPECIFIED:		APVD J. ELLIS 01-APR-2004	NAME HEADER ASSEMBLY-ECONOMY POWER VERTICAL, .200 CENTERLINE
0 PLC ± -		PRODUCT SPEC	
1 PLC ± 0.25 [0.010]		APPLICATION SPEC	SIZE A2
2 PLC ± 0.15 [0.006]		WEIGHT	CAGE CODE 00779
3 PLC ± -		MATERIAL SEE NOTES	DRAWING NO C-1744037
4 PLC ± -			RESTRICTED TO -
ANGLES ± -		CUSTOMER DRAWING	SCALE N/A
FINISH		SHEET 2 OF 2	REV A2

X-ON Electronics

Largest Supplier of Electrical and Electronic Components

Click to view similar products for [Headers & Wire Housings](#) category:

Click to view products by [TE Connectivity](#) manufacturer:

Other Similar products are found below :

[892-18-020-10-001101](#) [58102-G61-06LF](#) [582553-1](#) [0009485154](#) [009176003701906](#) [0050291907](#) [LY20-4P-DT1-P1E-BR](#) [02.125.8002.8](#)
[609-3404](#) [61062-3](#) [61082-181009](#) [622-3653LF](#) [63453-116](#) [636-1030](#) [636-1427](#) [636-3427](#) [636-4007](#) [641938-9](#) [641991-4](#) [644827-2](#) [65817-](#)
[010LF](#) [65817-015LF](#) [65863-015LF](#) [66207-023LF](#) [67095-007LF](#) [67601157](#) [68645-018](#) [68648-049](#) [70.362.1628.0](#) [70-4210](#) [70-4226B](#) [70-](#)
[4853B](#) [707-5020](#) [707-5028](#) [71.350.2428.0](#) [71918-208LF](#) [71961-016LF](#) [733-134](#) [733-162](#) [754199-000](#) [760-3052](#) [79531-3000](#) [FCN-](#)
[360C032-B](#) [FCN-367T-T012/H](#) [FCN-723D010/2](#) [80.063.4001.1](#) [800-90-001-10-001000](#) [800-90-010-10-002000](#) [801-43-002-10-013000](#)
[801-43-006-10-002000](#)