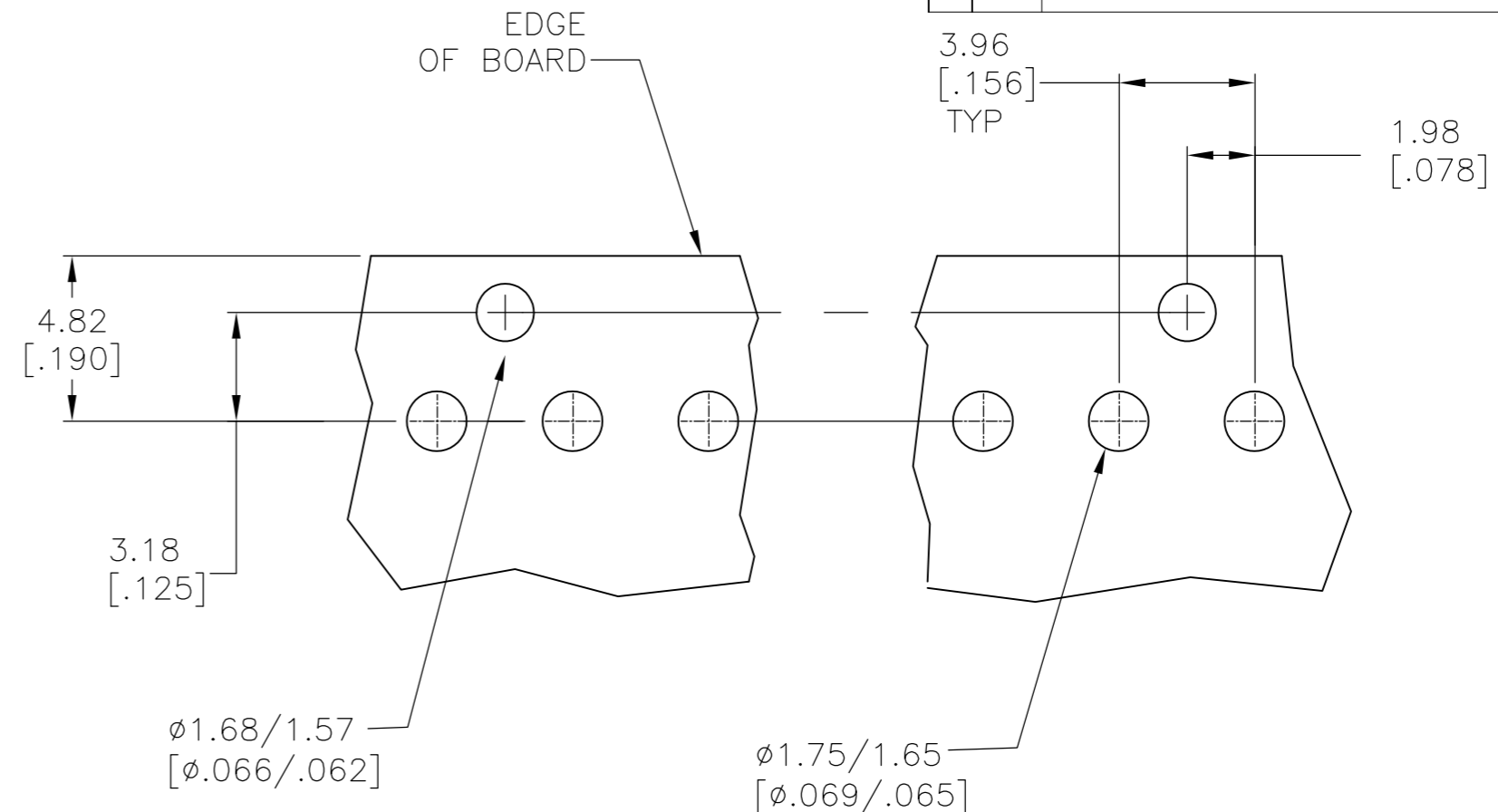
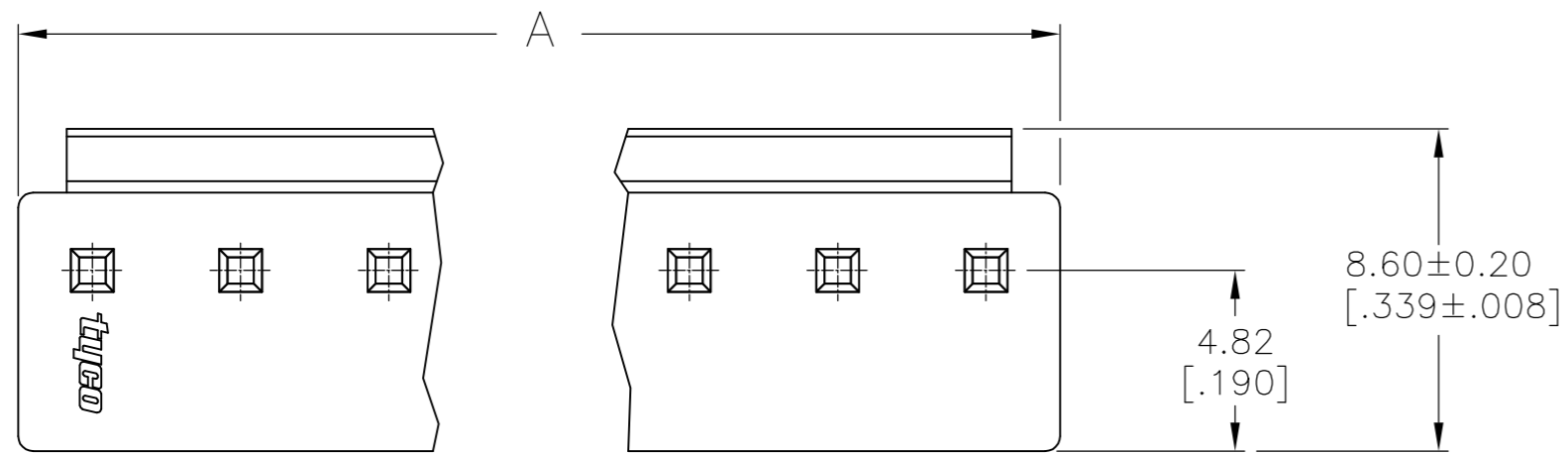
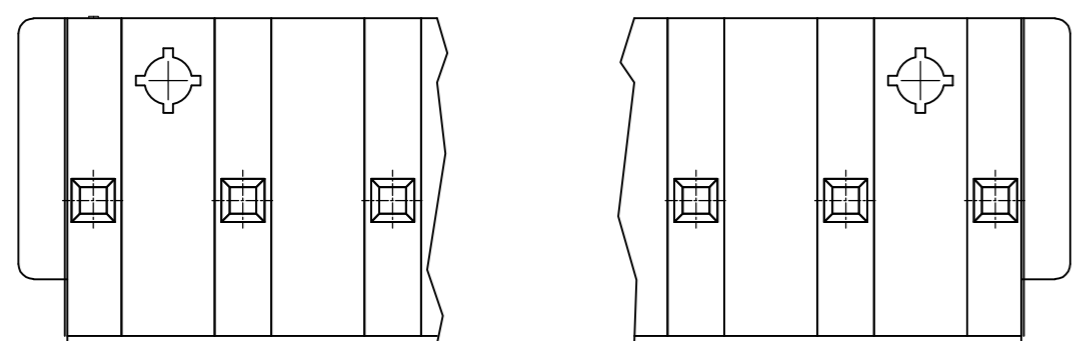
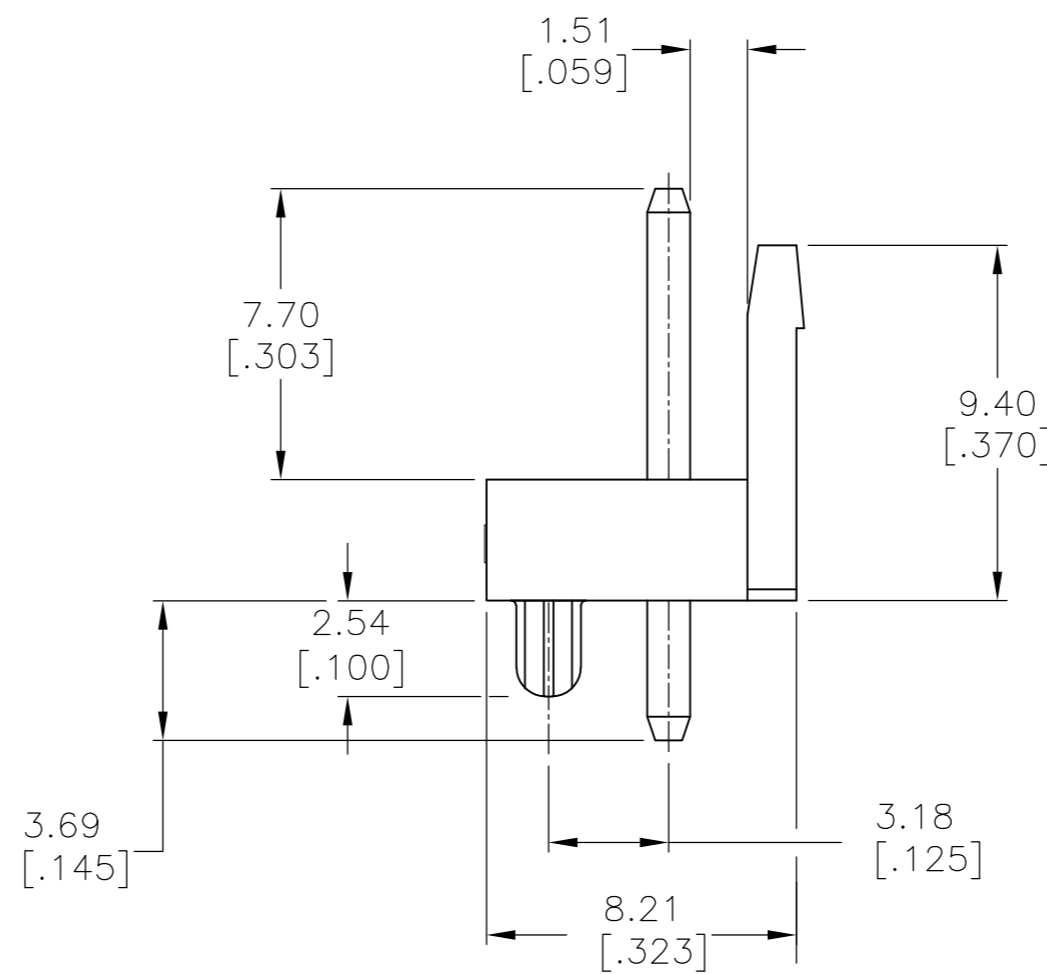
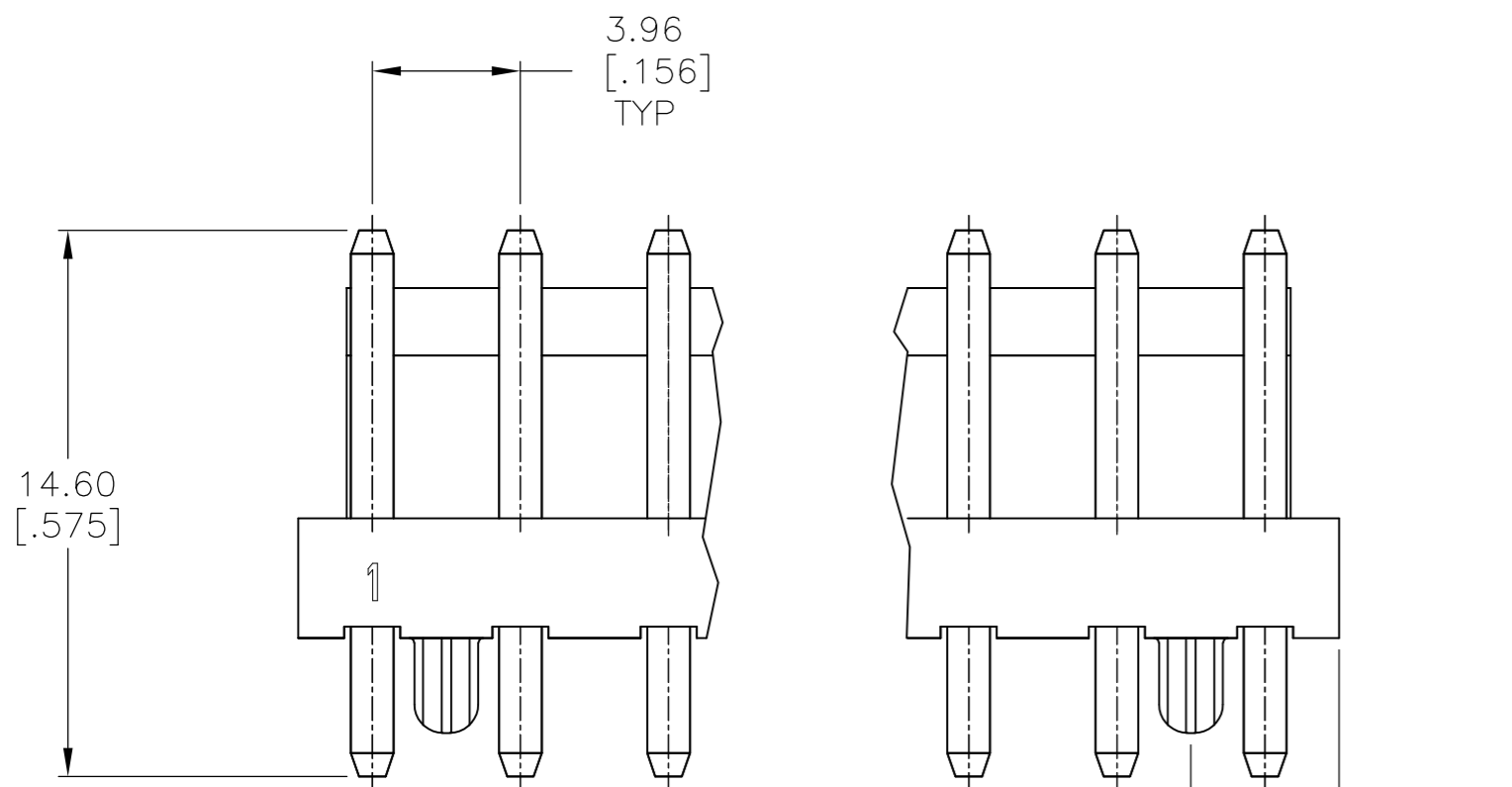


THIS DRAWING IS UNPUBLISHED. RELEASED FOR PUBLICATION
 © COPYRIGHT By - ALL RIGHTS RESERVED.

| REVISIONS | | | | | |
|-----------|-----|---------------------------|---------|-----|------|
| P | LTR | DESCRIPTION | DATE | DWN | APVD |
| D1 | | REVISED PER ECR-16-017535 | 16JAN17 | O.C | D.Z |



RECOMMENDED MOUNTING HOLE PATTERN FOR 1.6 [.063] THICK PC BOARD



- 1 HOUSING MATERIAL: NYLON 66 UL94V-0.
- 2 CONTACT MATERIAL: BRASS.
- 3 CONTACT PLATING: .003 [.000120] MIN TIN OVER .001 [.000039] NICKEL.
- 4 2 POSITION HAS 1 PEG, ALL OTHERS HAVE 2 PEGS.

| NO. OF POSITIONS | COLOR | mm | IN | PART NUMBER |
|------------------|-------|--------------|---------------|-------------|
| | | DIM A ± 0.30 | | |
| PRELIMINARY | 6 | RED | 23.76 [0.935] | 4-1744057-6 |
| | 5 | YELLOW | 19.80 [0.780] | 4-1744057-5 |
| | 3 | YELLOW | 11.88 [0.468] | 4-1744057-3 |
| | 7 | BLUE | 27.72 [1.091] | 2-1744057-7 |
| | 12 | NATURAL | 47.52 [1.871] | 1-1744057-2 |
| | 11 | NATURAL | 43.56 [1.715] | 1-1744057-1 |
| | 10 | NATURAL | 39.60 [1.559] | 1-1744057-0 |
| | 9 | NATURAL | 35.64 [1.403] | 1744057-9 |
| | 8 | NATURAL | 31.68 [1.247] | 1744057-8 |
| | 7 | NATURAL | 27.72 [1.091] | 1744057-7 |
| | 6 | NATURAL | 23.76 [0.935] | 1744057-6 |
| | 5 | NATURAL | 19.80 [0.780] | 1744057-5 |
| | 4 | NATURAL | 15.84 [0.624] | 1744057-4 |
| | 3 | NATURAL | 11.88 [0.468] | 1744057-3 |
| | 2 | NATURAL | 7.92 [0.312] | 1744057-2 |

THIS DRAWING IS A CONTROLLED DOCUMENT.

DWN: S. HOOVER 01-APR-2004
 CHK: J. ELLIS 01-APR-2004
 APVD: J. ELLIS 01-APR-2004

TE Connectivity

NAME: HEADER ASSEMBLY-ECONOMY POWER VERTICAL, W/RETENTION PEGS

SIZE: A2 CAGE CODE: 00779 DRAWING NO: 1744057 RESTRICTED TO: -

SCALE: 5:1 SHEET: 1 OF 1 REV: D1

PRODUCT SPEC: APPLICATION SPEC

MATERIAL: SEE NOTES FINISH: WEIGHT: CUSTOMER DRAWING

X-ON Electronics

Largest Supplier of Electrical and Electronic Components

Click to view similar products for [Headers & Wire Housings](#) category:

Click to view products by [TE Connectivity](#) manufacturer:

Other Similar products are found below :

[892-18-020-10-001101](#) [58102-G61-06LF](#) [582553-1](#) [0009485154](#) [009176003701906](#) [0050291907](#) [LY20-4P-DT1-P1E-BR](#) [02.125.8002.8](#)
[609-3404](#) [61062-3](#) [61082-181009](#) [622-3653LF](#) [63453-116](#) [636-1030](#) [636-1427](#) [636-3427](#) [636-4007](#) [641938-9](#) [641991-4](#) [644827-2](#) [65817-010LF](#) [65817-015LF](#) [65863-015LF](#) [66207-023LF](#) [67095-007LF](#) [67601157](#) [68645-018](#) [68648-049](#) [70.362.1628.0](#) [70-4210](#) [70-4226B](#) [70-4853B](#) [707-5020](#) [707-5028](#) [71.350.2428.0](#) [71918-208LF](#) [71961-016LF](#) [733-134](#) [733-162](#) [754199-000](#) [760-3052](#) [787-8014-00](#) [79531-3000](#)
[FCN-360C032-B](#) [FCN-367T-T012/H](#) [FCN-723D010/2](#) [80.063.4001.1](#) [800-90-001-10-001000](#) [800-90-010-10-002000](#) [801-43-002-10-013000](#)