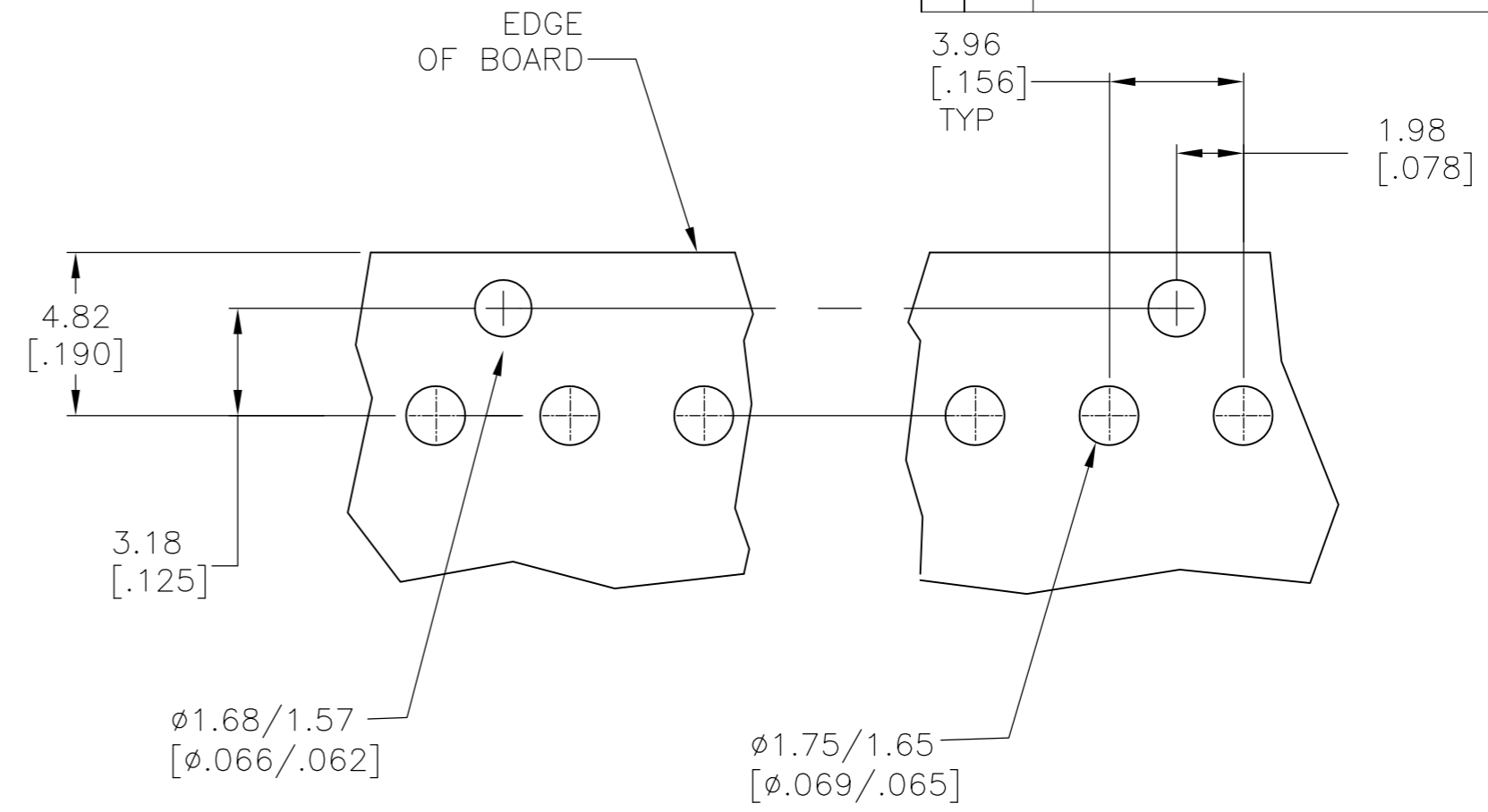
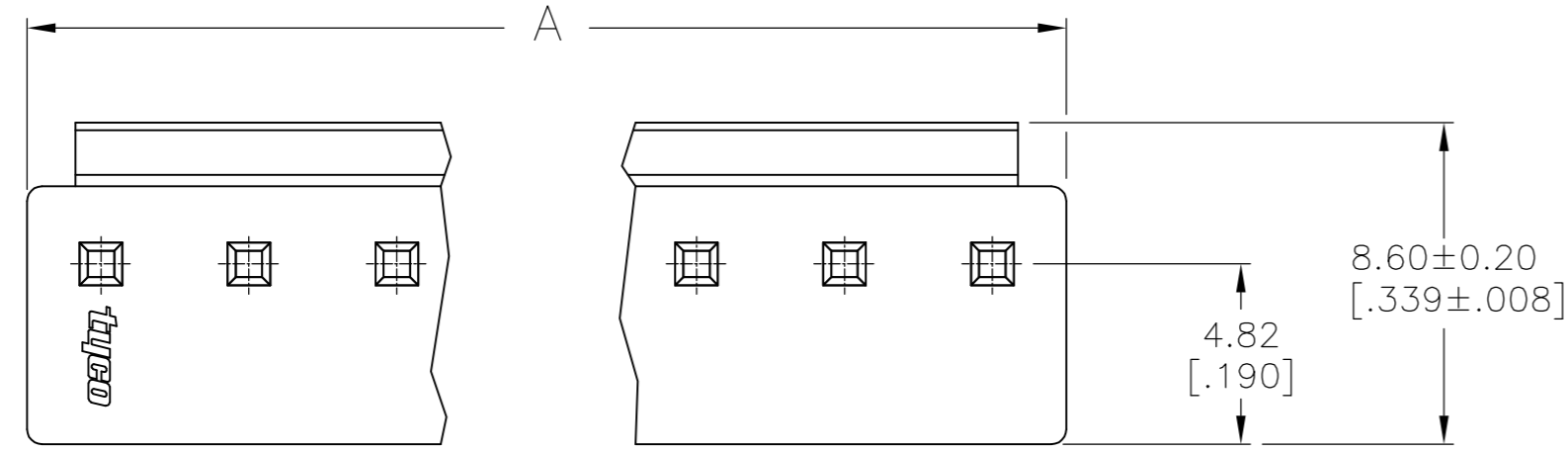
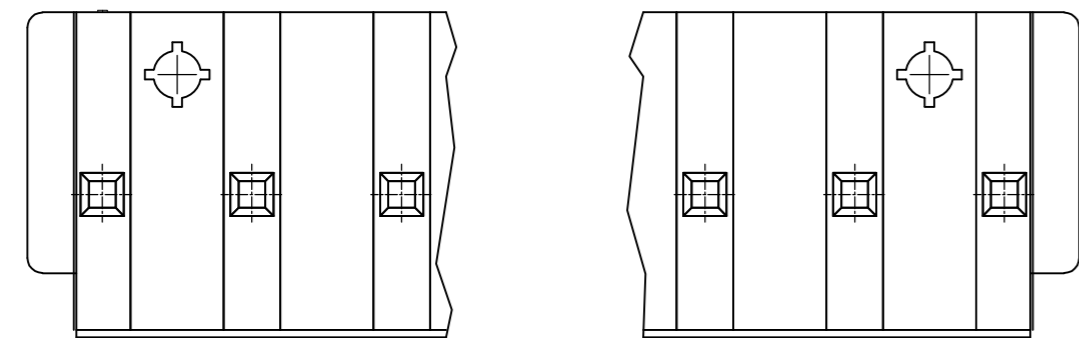
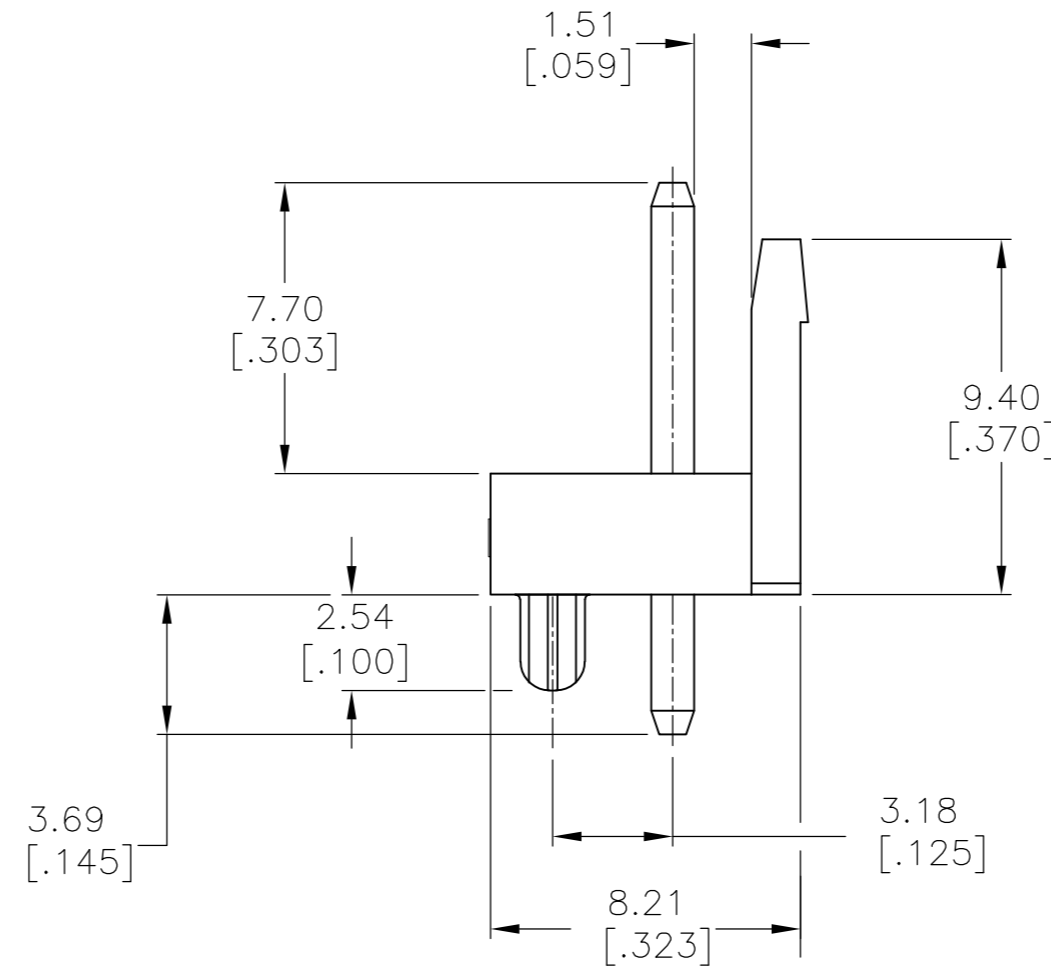
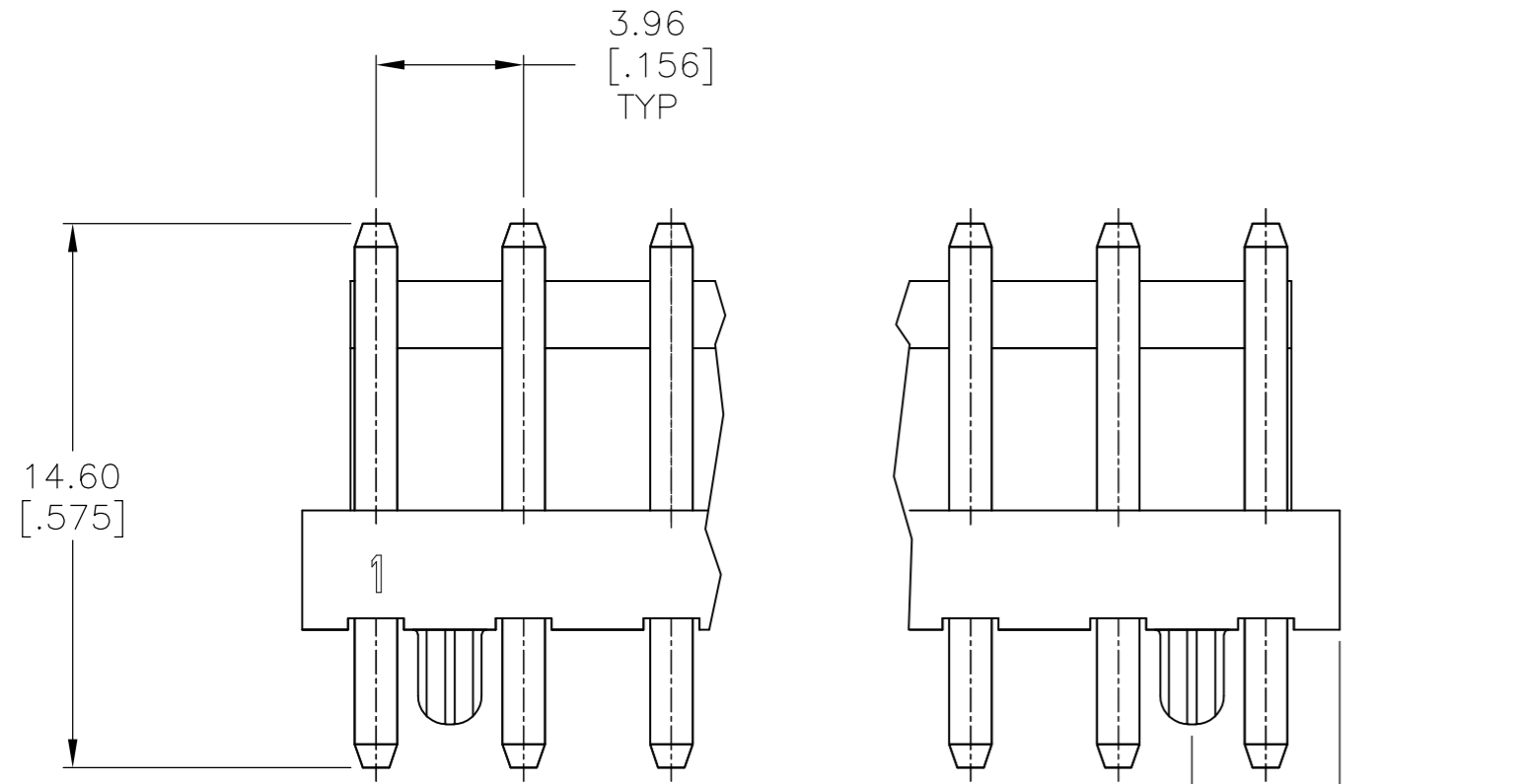


THIS DRAWING IS UNPUBLISHED. RELEASED FOR PUBLICATION
 © COPYRIGHT By - ALL RIGHTS RESERVED.

REVISIONS					
P	LTR	DESCRIPTION	DATE	DWN	APVD
D1		REVISED PER ECR-16-017535	16JAN17	O.C	D.Z



RECOMMENDED MOUNTING HOLE PATTERN FOR 1.6 [.063] THICK PC BOARD



- 1 HOUSING MATERIAL: NYLON 66 UL94V-0.
- 2 CONTACT MATERIAL: BRASS.
- 3 CONTACT PLATING: .003 [.000120] MIN TIN OVER .001 [.000039] NICKEL.
- 4 2 POSITION HAS 1 PEG, ALL OTHERS HAVE 2 PEGS.

NO. OF POSITIONS	COLOR	mm	IN	PART NUMBER
		DIM A ± 0.30		
6	RED	23.76	[0.935]	4-1744057-6
5	YELLOW	19.80	[0.780]	4-1744057-5
3	YELLOW	11.88	[0.468]	4-1744057-3
7	BLUE	27.72	[1.091]	2-1744057-7
12	NATURAL	47.52	[1.871]	1-1744057-2
11	NATURAL	43.56	[1.715]	1-1744057-1
10	NATURAL	39.60	[1.559]	1-1744057-0
9	NATURAL	35.64	[1.403]	1744057-9
8	NATURAL	31.68	[1.247]	1744057-8
7	NATURAL	27.72	[1.091]	1744057-7
6	NATURAL	23.76	[0.935]	1744057-6
5	NATURAL	19.80	[0.780]	1744057-5
4	NATURAL	15.84	[0.624]	1744057-4
3	NATURAL	11.88	[0.468]	1744057-3
2	NATURAL	7.92	[0.312]	1744057-2

THIS DRAWING IS A CONTROLLED DOCUMENT.

DWN: S. HOOVER 01-APR-2004
 CHK: J. ELLIS 01-APR-2004
 APVD: J. ELLIS 01-APR-2004

TE Connectivity

NAME: HEADER ASSEMBLY-ECONOMY POWER VERTICAL, W/RETENTION PEGS

SIZE: A2 CAGE CODE: 00779 DRAWING NO: 1744057 RESTRICTED TO: -

SCALE: 5:1 SHEET: 1 OF 1 REV: D1

PRODUCT SPEC: APPLICATION SPEC

MATERIAL: SEE NOTES FINISH: WEIGHT: CUSTOMER DRAWING

X-ON Electronics

Largest Supplier of Electrical and Electronic Components

Click to view similar products for [Headers & Wire Housings](#) category:

Click to view products by [TE Connectivity](#) manufacturer:

Other Similar products are found below :

[892-18-020-10-001101](#) [58102-G61-06LF](#) [582553-1](#) [0009485154](#) [009176003701906](#) [0050291907](#) [LY20-4P-DT1-P1E-BR](#) [02.125.8002.8](#)
[609-3404](#) [61062-3](#) [61082-181009](#) [622-3653LF](#) [63453-116](#) [636-1030](#) [636-1427](#) [636-3427](#) [636-4007](#) [641938-9](#) [641991-4](#) [644827-2](#) [65817-010LF](#) [65817-015LF](#) [65863-015LF](#) [66207-023LF](#) [67095-007LF](#) [67601157](#) [68645-018](#) [68648-049](#) [70.362.1628.0](#) [70-4210](#) [70-4226B](#) [70-4853B](#) [707-5020](#) [707-5028](#) [71.350.2428.0](#) [71918-208LF](#) [71961-016LF](#) [733-134](#) [733-162](#) [754199-000](#) [760-3052](#) [787-8014-00](#) [79531-3000](#)
[FCN-360C032-B](#) [FCN-367T-T012/H](#) [FCN-723D010/2](#) [80.063.4001.1](#) [800-90-001-10-001000](#) [800-90-010-10-002000](#) [801-43-002-10-013000](#)