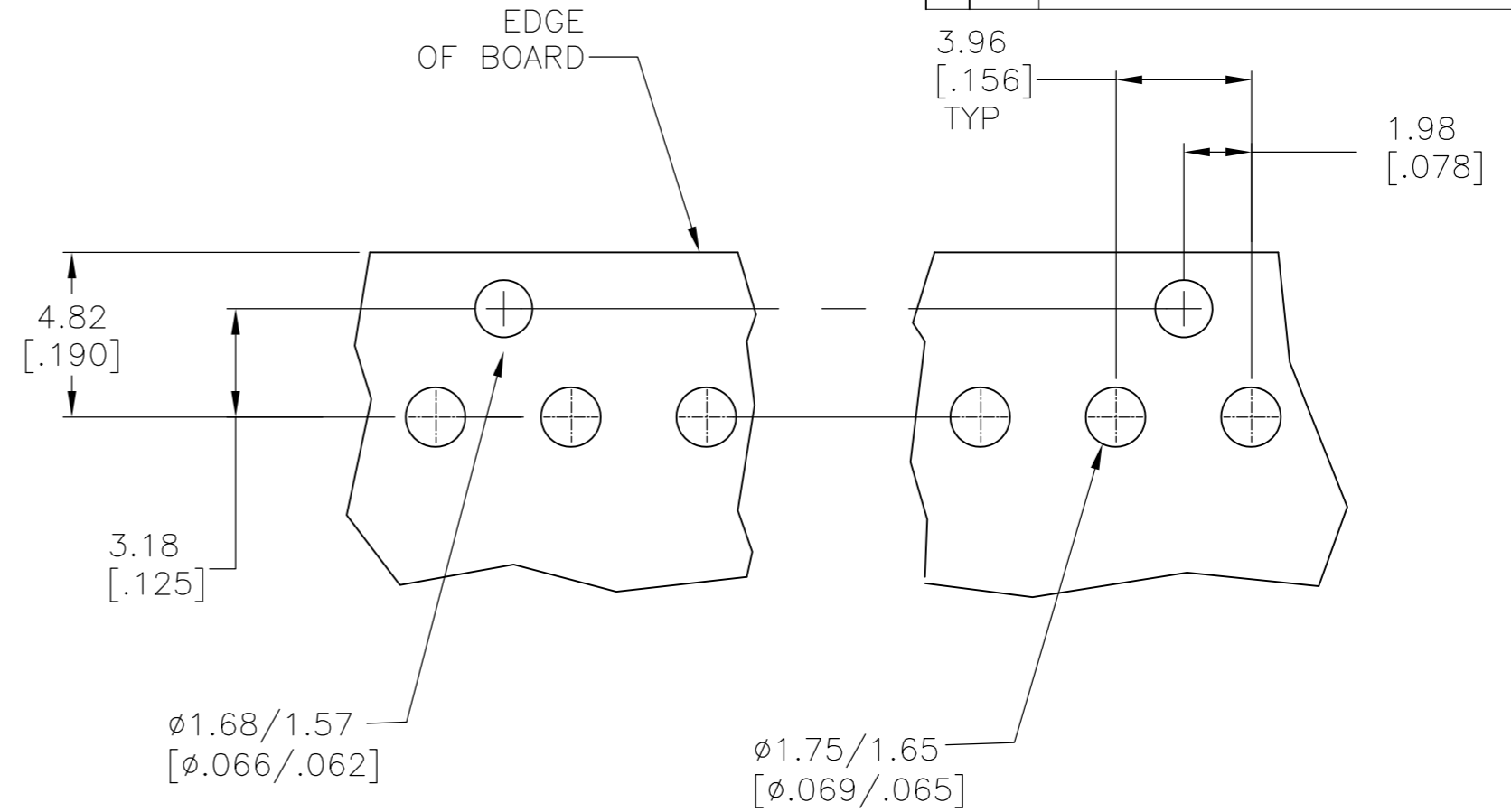
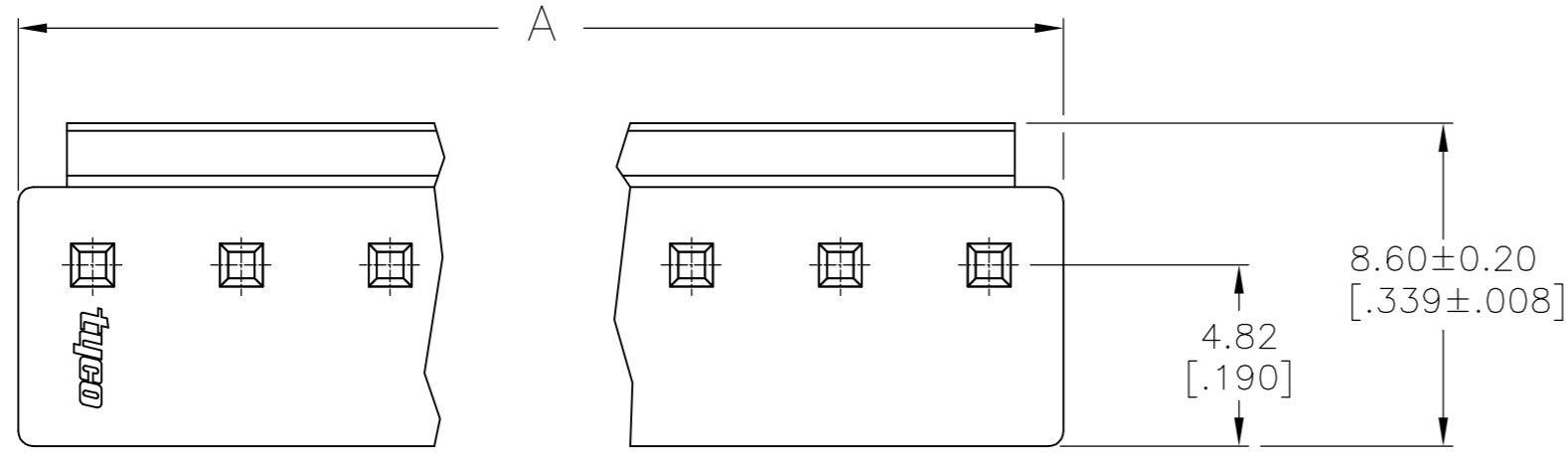
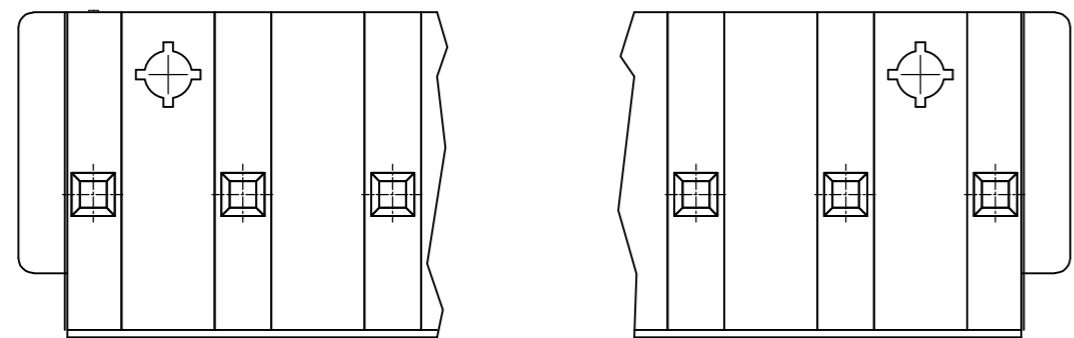
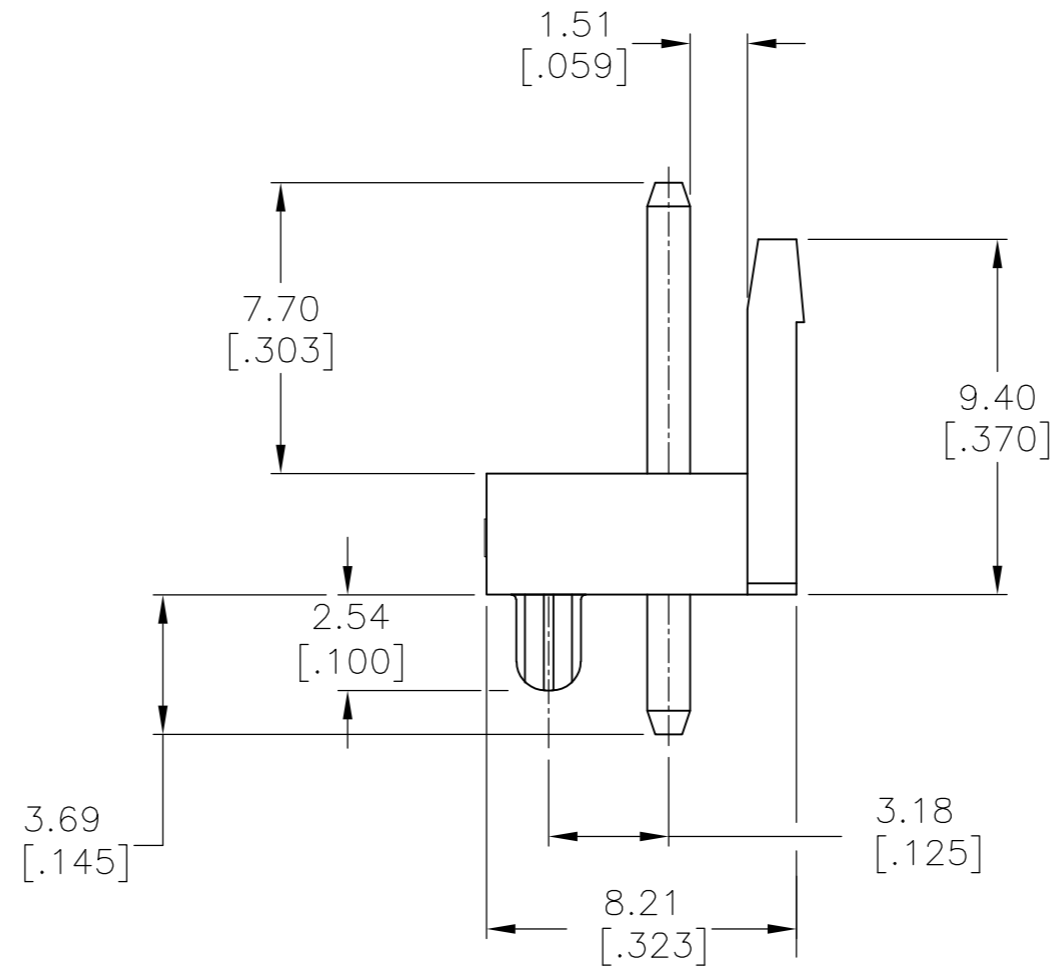
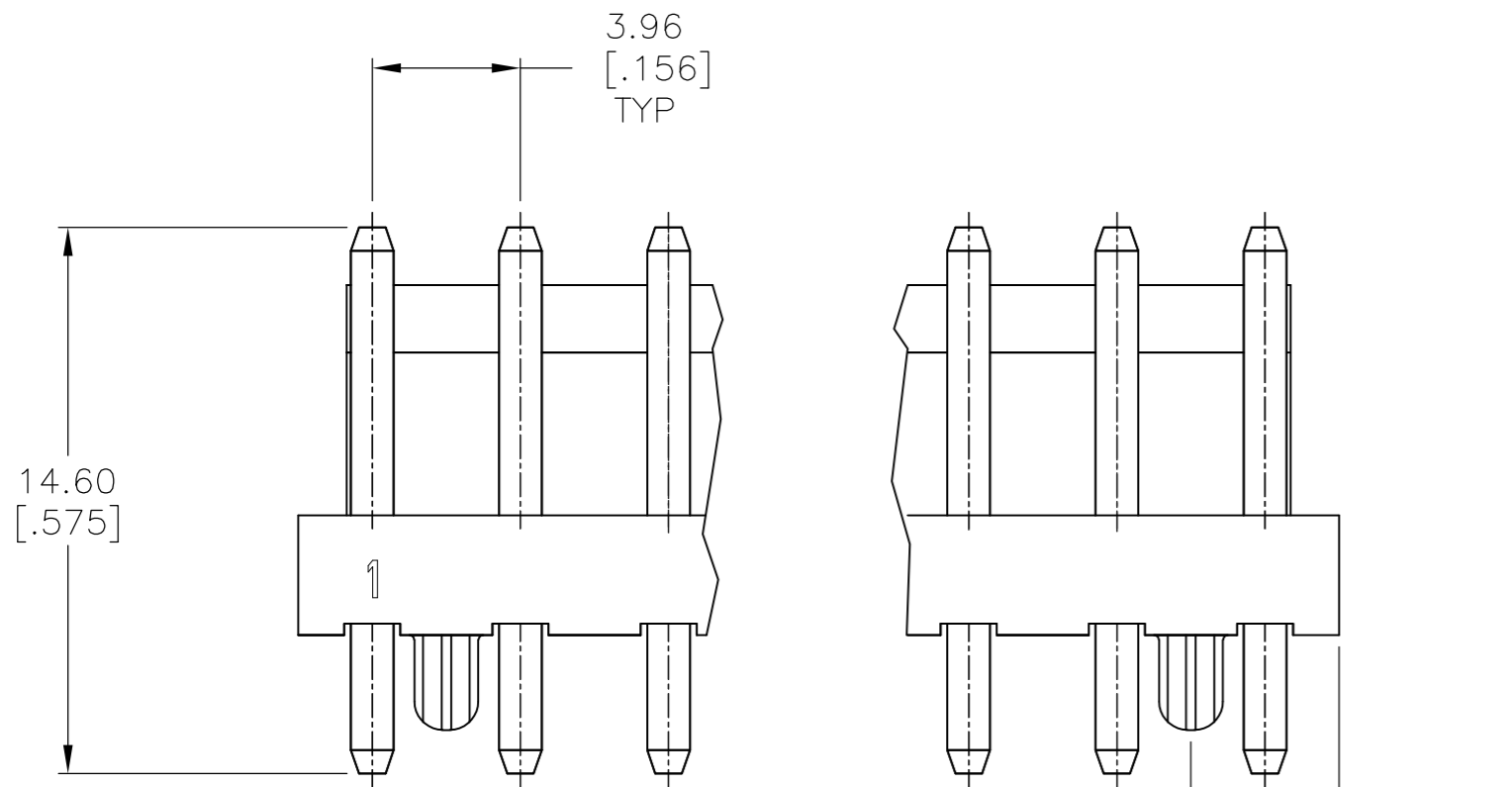


THIS DRAWING IS UNPUBLISHED. RELEASED FOR PUBLICATION  
 © COPYRIGHT By - ALL RIGHTS RESERVED.

| REVISIONS |     |                           |         |     |      |
|-----------|-----|---------------------------|---------|-----|------|
| P         | LTR | DESCRIPTION               | DATE    | DWN | APVD |
| D1        |     | REVISED PER ECR-16-017535 | 16JAN17 | O.C | D.Z  |



RECOMMENDED MOUNTING HOLE PATTERN FOR 1.6 [.063] THICK PC BOARD



- 1 HOUSING MATERIAL: NYLON 66 UL94V-0.
- 2 CONTACT MATERIAL: BRASS.
- 3 CONTACT PLATING: .003 [.000120] MIN TIN OVER .001 [.000039] NICKEL.
- 4 2 POSITION HAS 1 PEG, ALL OTHERS HAVE 2 PEGS.

| NO. OF POSITIONS | COLOR   | mm          | IN      | PART NUMBER |
|------------------|---------|-------------|---------|-------------|
|                  |         | DIM A ±0.30 |         |             |
| 6                | RED     | 23.76       | [0.935] | 4-1744057-6 |
| 5                | YELLOW  | 19.80       | [0.780] | 4-1744057-5 |
| 3                | YELLOW  | 11.88       | [0.468] | 4-1744057-3 |
| 7                | BLUE    | 27.72       | [1.091] | 2-1744057-7 |
| 12               | NATURAL | 47.52       | [1.871] | 1-1744057-2 |
| 11               | NATURAL | 43.56       | [1.715] | 1-1744057-1 |
| 10               | NATURAL | 39.60       | [1.559] | 1-1744057-0 |
| 9                | NATURAL | 35.64       | [1.403] | 1744057-9   |
| 8                | NATURAL | 31.68       | [1.247] | 1744057-8   |
| 7                | NATURAL | 27.72       | [1.091] | 1744057-7   |
| 6                | NATURAL | 23.76       | [0.935] | 1744057-6   |
| 5                | NATURAL | 19.80       | [0.780] | 1744057-5   |
| 4                | NATURAL | 15.84       | [0.624] | 1744057-4   |
| 3                | NATURAL | 11.88       | [0.468] | 1744057-3   |
| 2                | NATURAL | 7.92        | [0.312] | 1744057-2   |

THIS DRAWING IS A CONTROLLED DOCUMENT.

DWN: S. HOOVER 01-APR-2004  
 CHK: J. ELLIS 01-APR-2004  
 APVD: J. ELLIS 01-APR-2004

TE Connectivity

NAME: HEADER ASSEMBLY-ECONOMY POWER VERTICAL, W/RETENTION PEGS

SIZE: A2 CAGE CODE: 00779 DRAWING NO: 1744057 RESTRICTED TO: -

SCALE: 5:1 SHEET: 1 OF 1 REV: D1

PRODUCT SPEC: APPLICATION SPEC

MATERIAL: SEE NOTES FINISH: WEIGHT: CUSTOMER DRAWING

TOLERANCES UNLESS OTHERWISE SPECIFIED:  
 0 PLC ±  
 1 PLC ±  
 2 PLC ±  
 3 PLC ± 0.13 [.005]  
 4 PLC ±  
 ANGLES ±

## X-ON Electronics

Largest Supplier of Electrical and Electronic Components

*Click to view similar products for [Headers & Wire Housings](#) category:*

*Click to view products by [TE Connectivity](#) manufacturer:*

Other Similar products are found below :

[892-18-020-10-001101](#) [58102-G61-06LF](#) [582553-1](#) [0009485154](#) [009176003701906](#) [0050291907](#) [LY20-4P-DT1-P1E-BR](#) [02.125.8002.8](#)  
[609-3404](#) [61062-3](#) [61082-181009](#) [622-3653LF](#) [63453-116](#) [636-1030](#) [636-1427](#) [636-3427](#) [636-4007](#) [641938-9](#) [641991-4](#) [644827-2](#) [65817-010LF](#) [65817-015LF](#) [65863-015LF](#) [66207-023LF](#) [67095-007LF](#) [67601157](#) [68645-018](#) [68648-049](#) [70.362.1628.0](#) [70-4210](#) [70-4226B](#) [70-4853B](#) [707-5020](#) [707-5028](#) [71.350.2428.0](#) [71918-208LF](#) [71961-016LF](#) [733-134](#) [733-162](#) [754199-000](#) [760-3052](#) [787-8014-00](#) [79531-3000](#)  
[FCN-360C032-B](#) [FCN-367T-T012/H](#) [FCN-723D010/2](#) [80.063.4001.1](#) [800-90-001-10-001000](#) [800-90-010-10-002000](#) [801-43-002-10-013000](#)