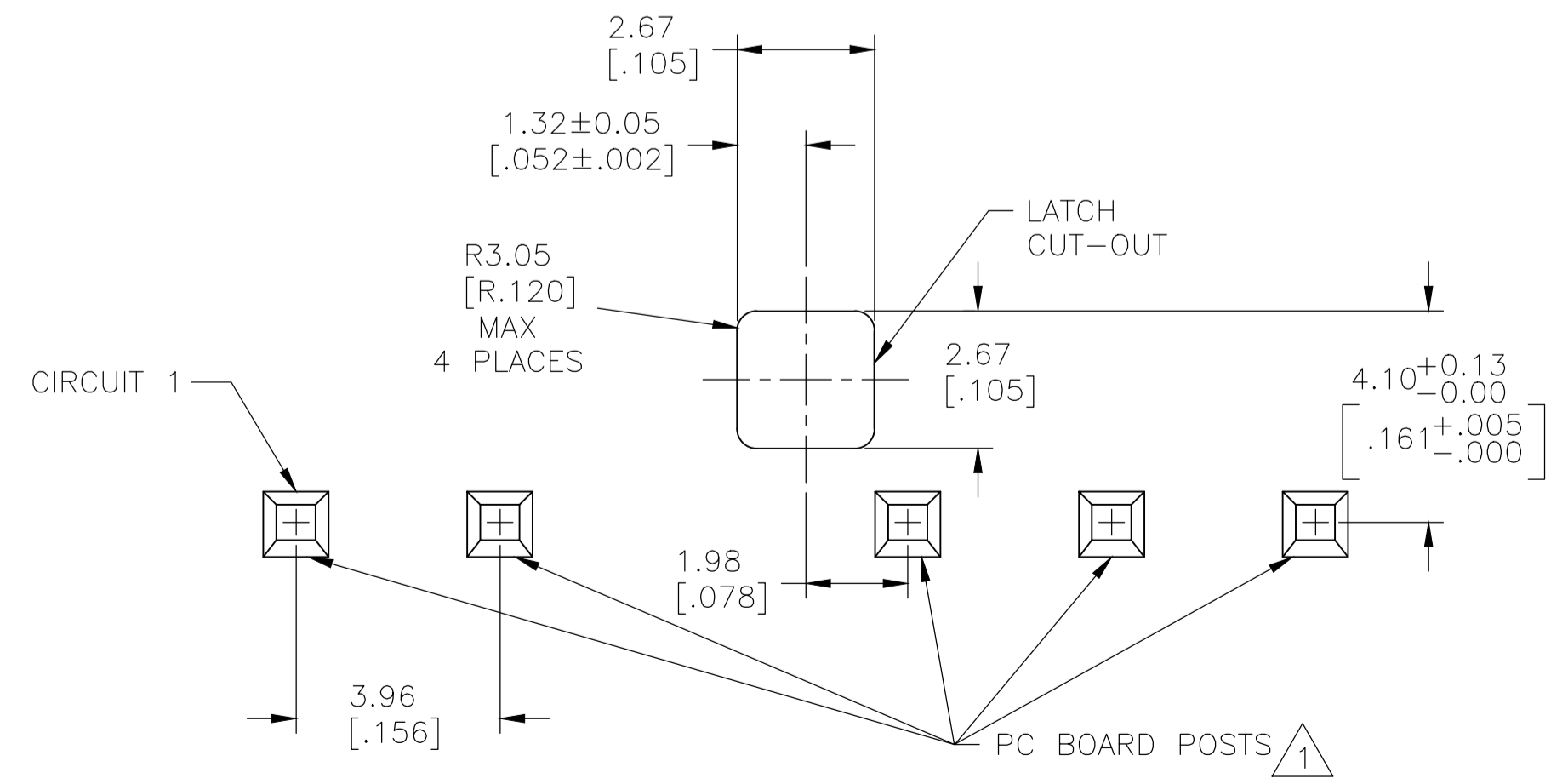
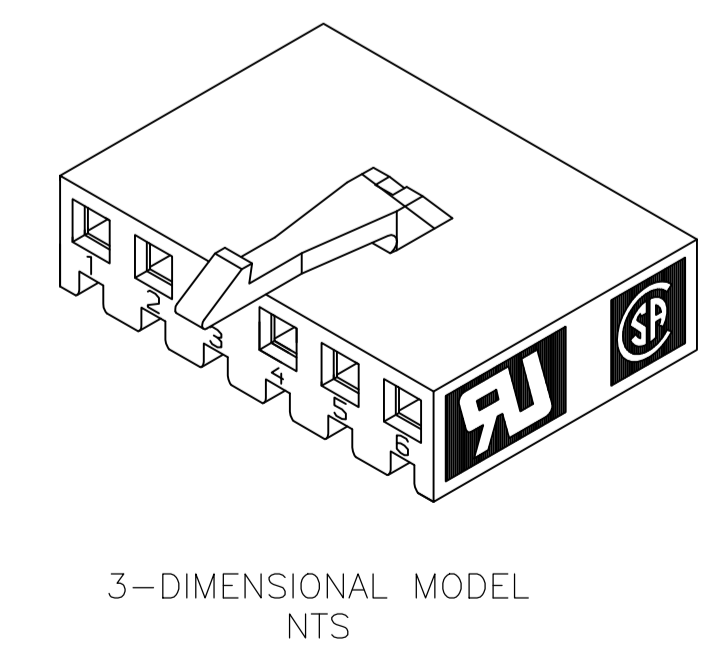
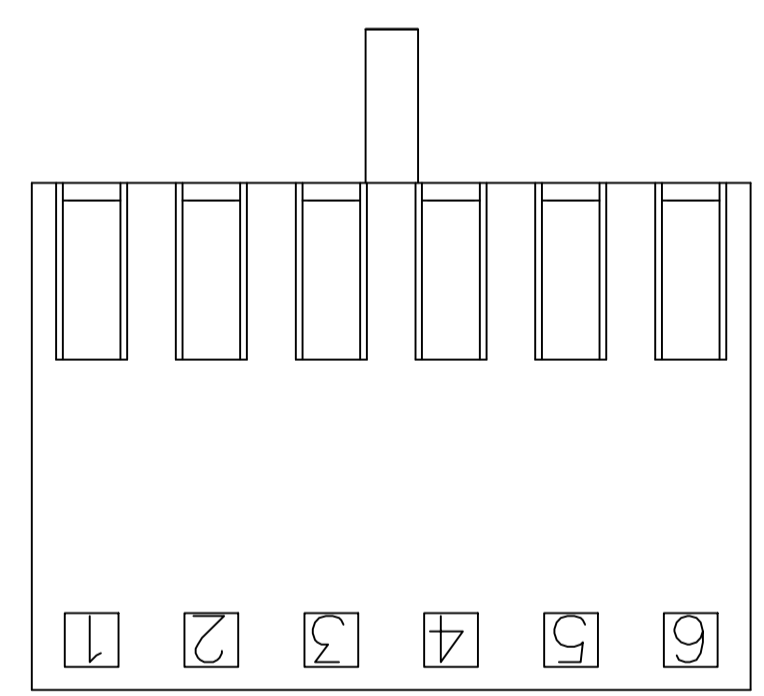
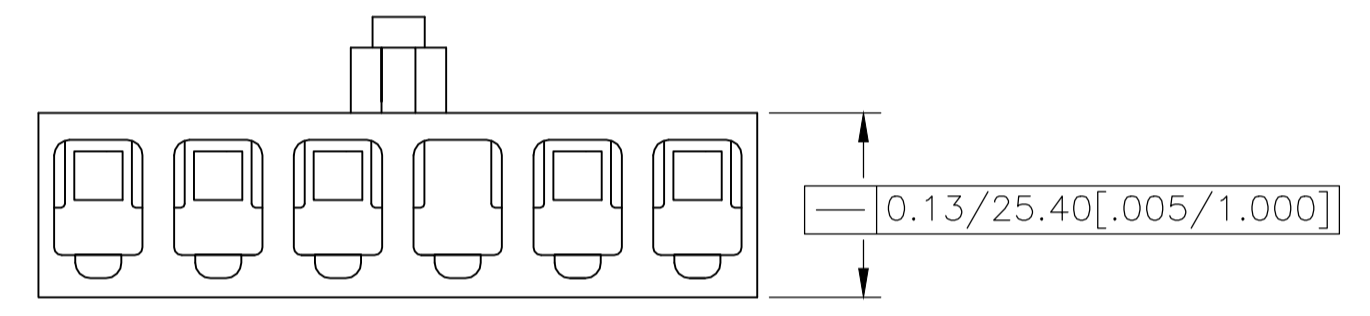
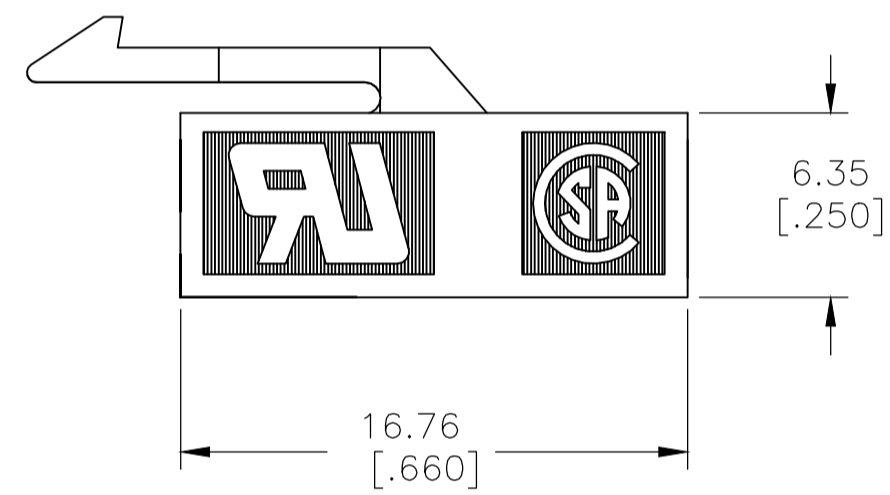
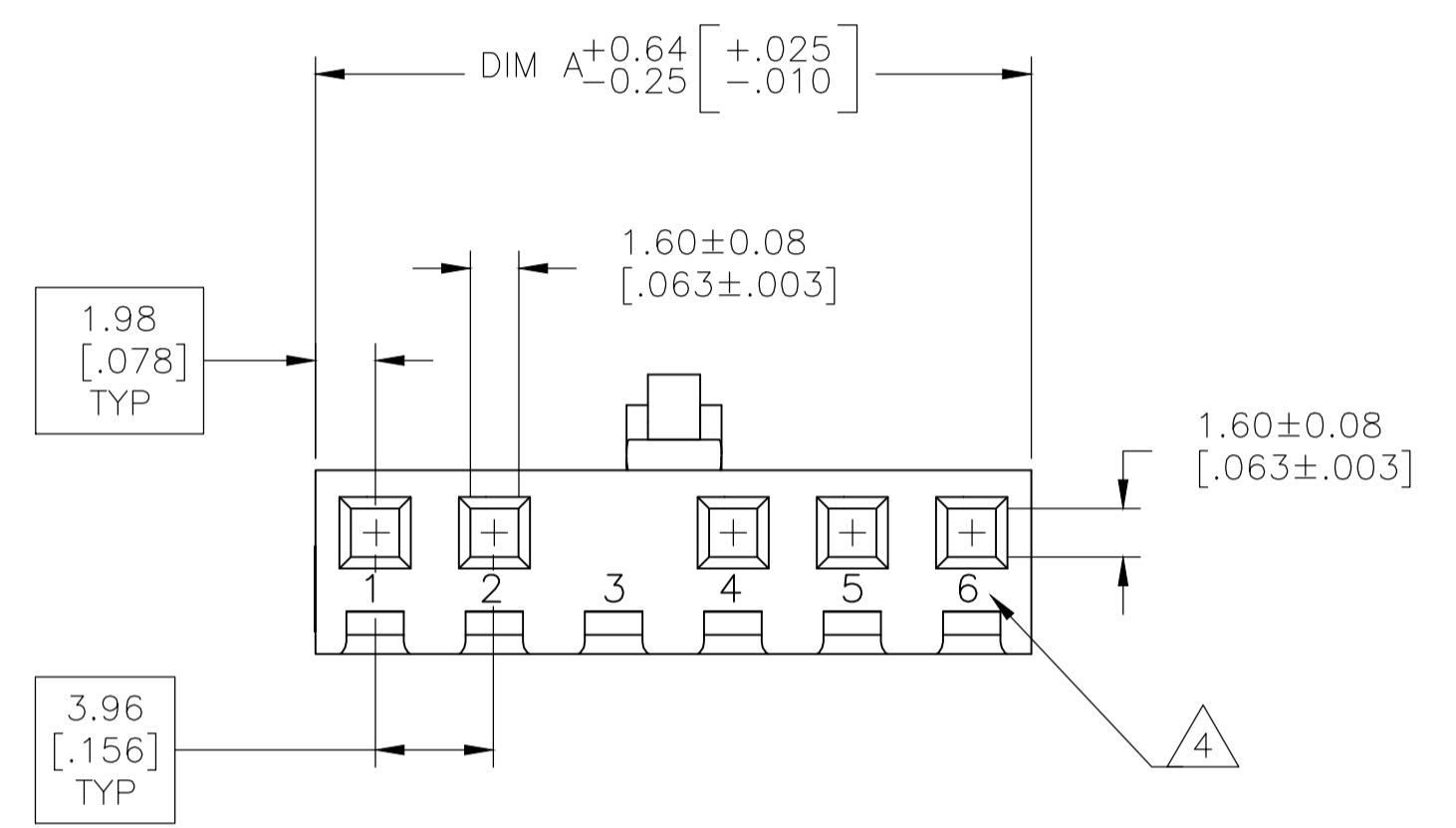
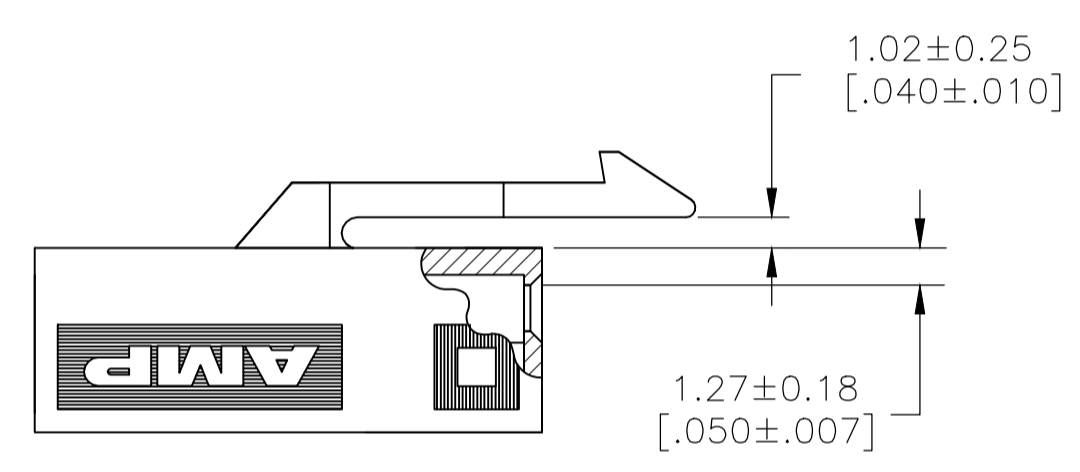
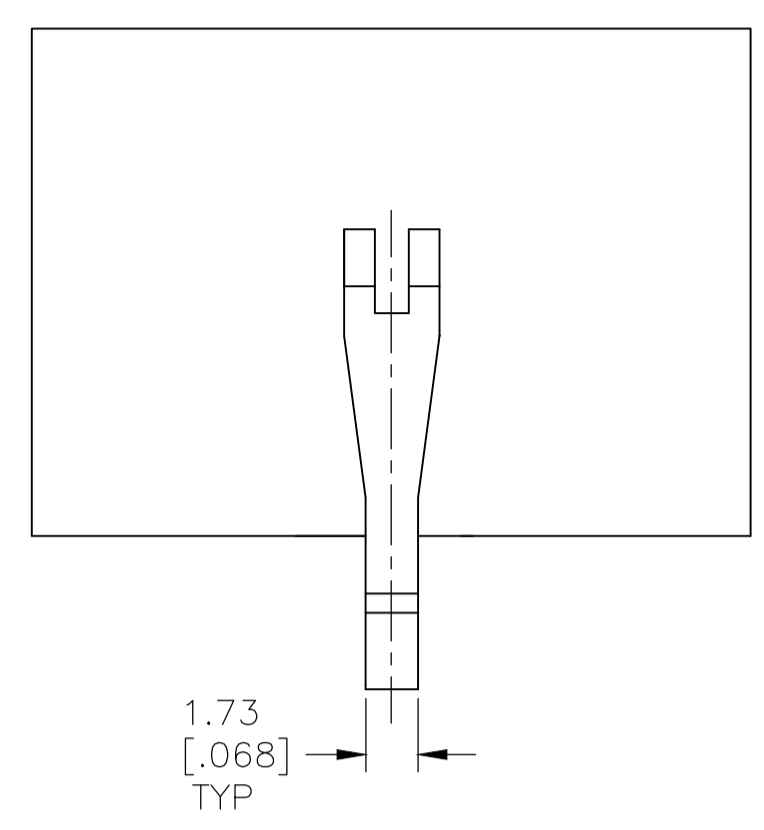
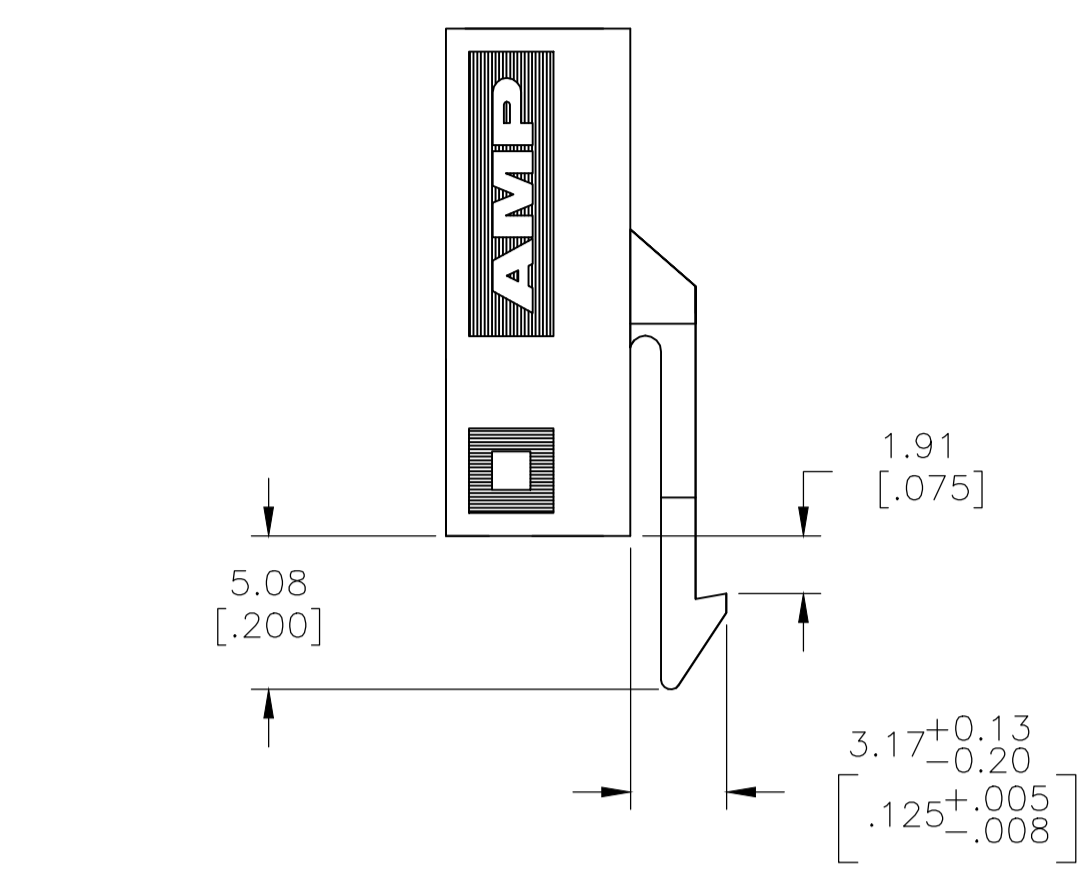


REVISIONS				
P	LTR	DESCRIPTION	DATE	BY
D		REVISED PER ECO-18-01008432	03JUL2018	RS SG

- 1 UNIT ACCEPTS A 1.14 [.045] SQUARE OR ROUND POST. POST LENGTH ABOVE THE P.C. BOARD IS TO BE 8.89-11.81 [.350-.465].
- 2 UNIT ACCEPTS STANDARD SL-156 CONTACTS.
- 3 UNIT ACCEPTS KEYING PLUG 640254-1 AND KEYING PIN 640255-1.
- 4 IDENTIFICATION NUMBER FOR LAST CIRCUIT MAY NOT APPEAR ON HOUSING.
- 5 DIMENSIONS IN BRACKETS ARE IN INCHES.
- 6 THE ASSEMBLED UNIT (HOUSING AND CONTACTS) IS RATED FOR A MAXIMUM OF THREE (3) MATING AND UNMATING CYCLES TO THE BOARD MOUNTED POSTS, UNLESS THE HOUSING LATCHES ARE FIRST DEPRESSED. IF THE LATCHES ARE DEPRESSED SO AS TO AVOID ENGAGEMENT WITH THE BOARD, THEN A MAXIMUM OF TWENTY FIVE (25) MATING AND UNMATING CYCLES ARE ALLOWED.
- 7 THE RECOMMENDED MAXIMUM NUMBER OF UNMATING CYCLES FOR THE P.C. BOARD ITSELF IS TEN (10), UNLESS THE HOUSING LATCHES ARE FIRST DEPRESSED.
- 8 MOISTURIZATION DURING PACKAGING OF PRODUCT MAY AFFECT SOME DIMENSIONS. ALL PARTS TO BE MEASURED DRIED AS MOLDED.
- 9 PRE-PRODUCTION - FASR REQUIRED.



RECOMMENDED CUT OUT FOR 1.57 [.062] THICK P.C. BOARD SCALE 8:1

3 AND 4	23.77 [.936]	6	1744075-6
LATCH LOCATION CENTERED BETWEEN CKTS	DIM A	NO OF CKTS	PART NUMBER

THIS DRAWING IS A CONTROLLED DOCUMENT.		DIN 15NOV12 KIRAN HOLAL		TE Connectivity Ltd.	
DIMENSIONS: mm [INCHES]		TOLERANCES UNLESS OTHERWISE SPECIFIED:		NAME: HOUSING WITH THROUGH BOARD LATCH, SL-156	
0 PLC	± -	1 PLC	± -	SIZE	A1
1 PLC	± -	2 PLC	± 0.20 [.008]	CAGE CODE	00779
2 PLC	± -	3 PLC	± -	DRAWING NO	1744075
3 PLC	± -	4 PLC	± -	RESTRICTED TO	-
4 PLC	± -	ANGLES	± -	WEIGHT	0.000000
MATERIAL: NYLON, UL 94V-2 NATURAL		FINISH: -		CUSTOMER DRAWING	
		SCALE: 4:1		SHEET 1 OF 1	

## X-ON Electronics

Largest Supplier of Electrical and Electronic Components

*Click to view similar products for [Headers & Wire Housings](#) category:*

*Click to view products by [TE Connectivity](#) manufacturer:*

Other Similar products are found below :

[892-18-020-10-001101](#) [58102-G61-06LF](#) [582553-1](#) [0009485154](#) [009176003701906](#) [0050291907](#) [LY20-4P-DT1-P1E-BR](#) [02.125.8002.8](#)  
[609-3404](#) [61062-3](#) [61082-181009](#) [622-3653LF](#) [63453-116](#) [636-1030](#) [636-1427](#) [636-3427](#) [636-4007](#) [641938-9](#) [641991-4](#) [644827-2](#) [65817-](#)  
[010LF](#) [65817-015LF](#) [65863-015LF](#) [66207-023LF](#) [67095-007LF](#) [67601157](#) [68645-018](#) [68648-049](#) [70.362.1628.0](#) [70-4210](#) [70-4226B](#) [70-](#)  
[4853B](#) [707-5020](#) [707-5028](#) [71.350.2428.0](#) [71918-208LF](#) [71961-016LF](#) [733-134](#) [733-162](#) [754199-000](#) [760-3052](#) [79531-3000](#) [FCN-](#)  
[360C032-B](#) [FCN-367T-T012/H](#) [FCN-723D010/2](#) [80.063.4001.1](#) [800-90-001-10-001000](#) [800-90-010-10-002000](#) [801-43-002-10-013000](#)  
[801-43-006-10-002000](#)