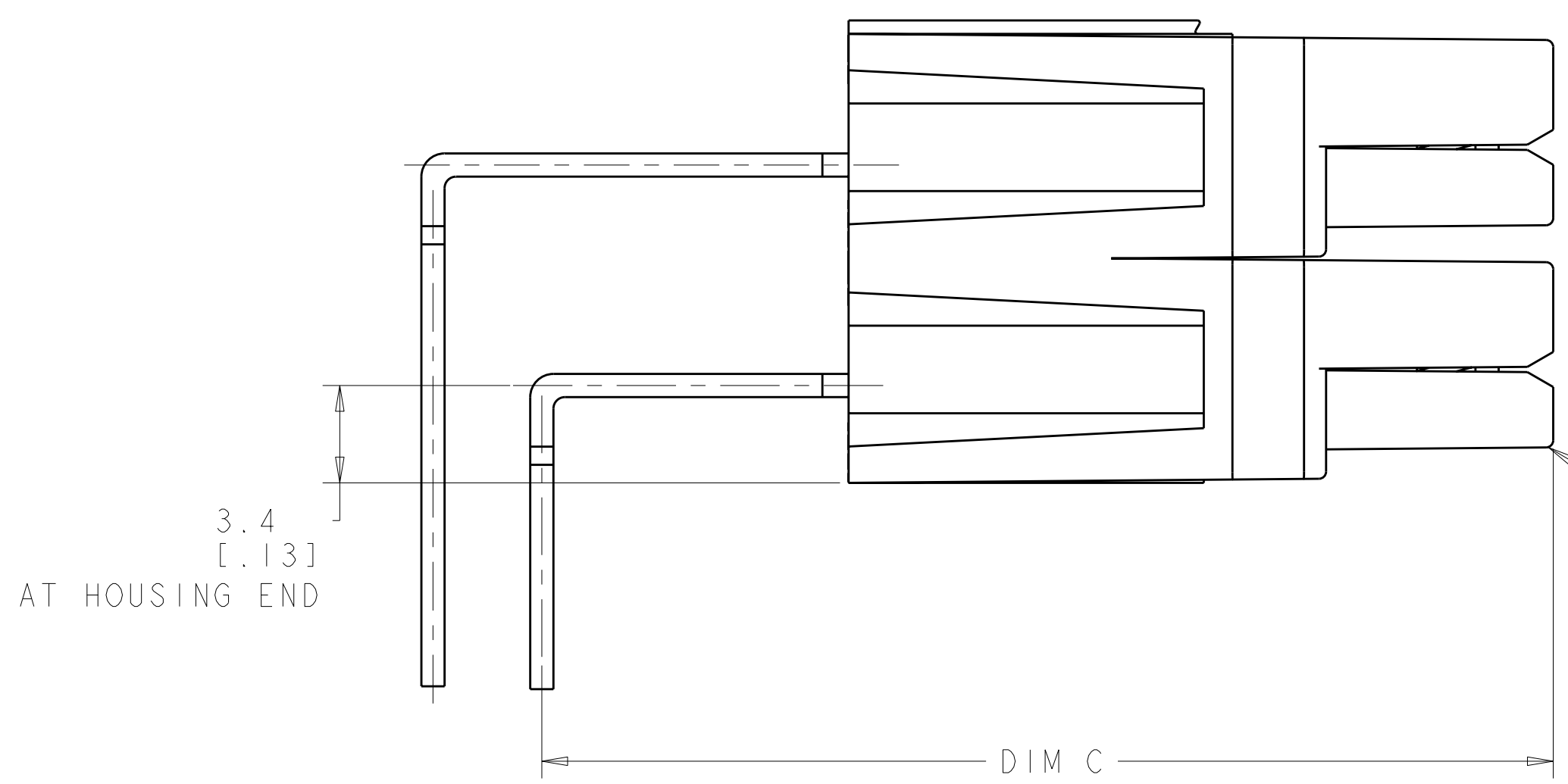
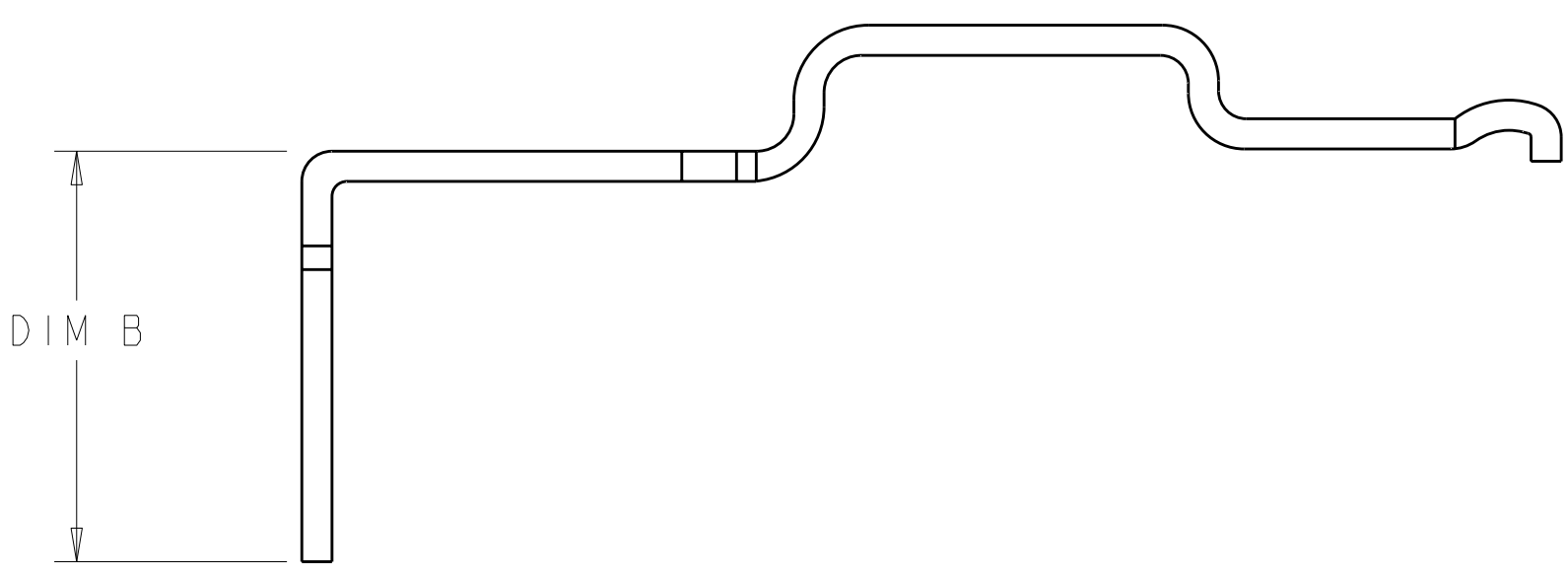
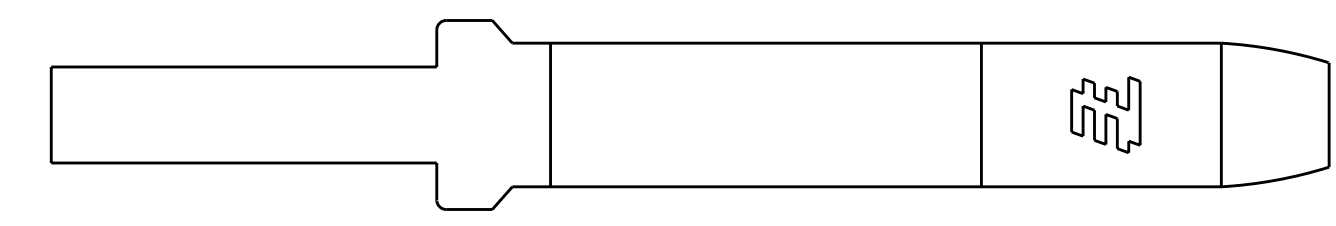
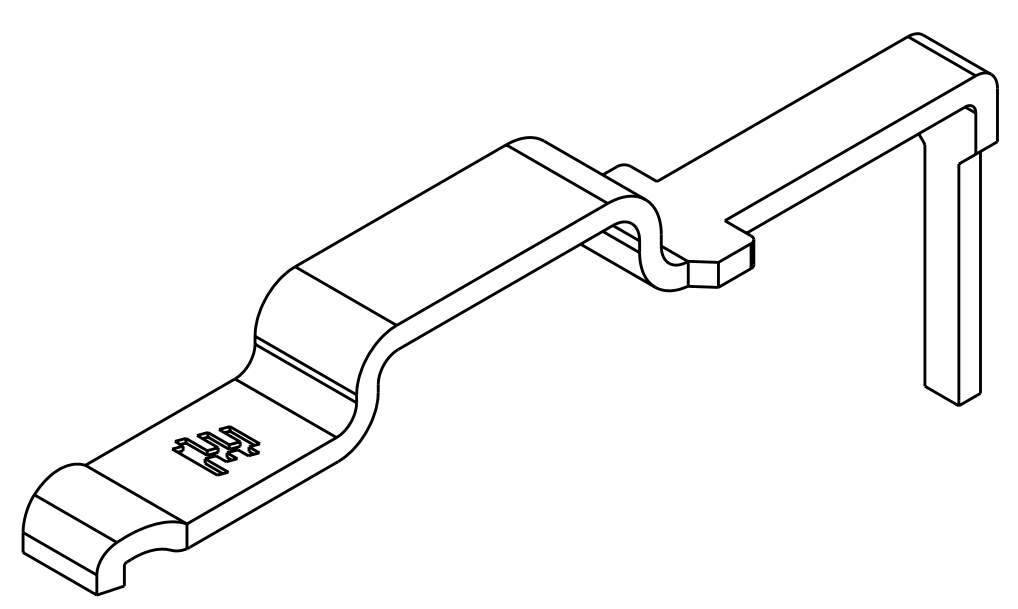
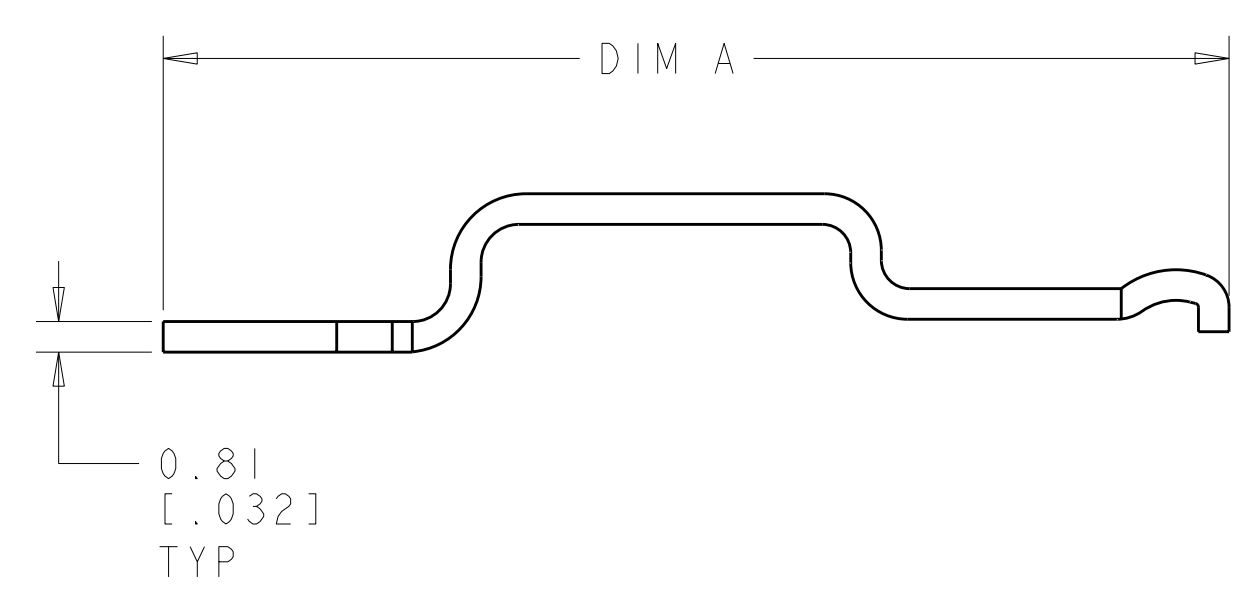
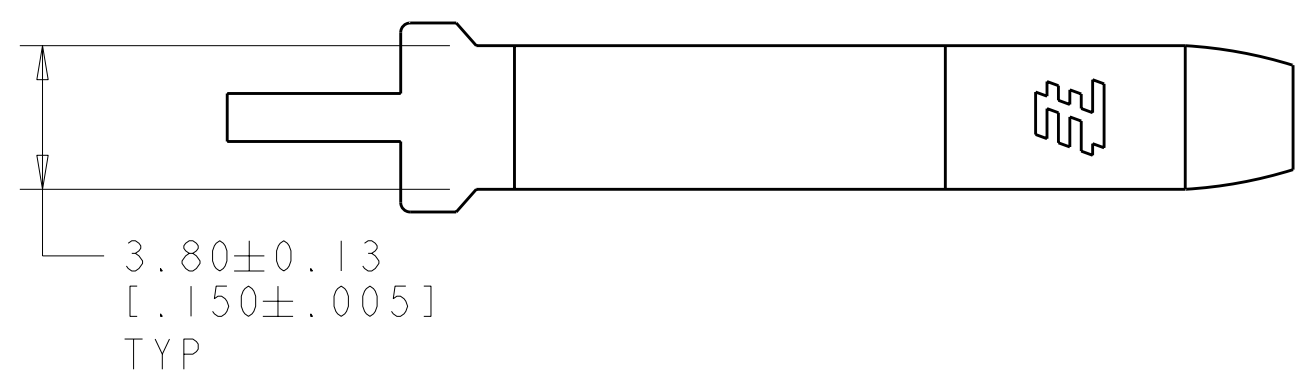
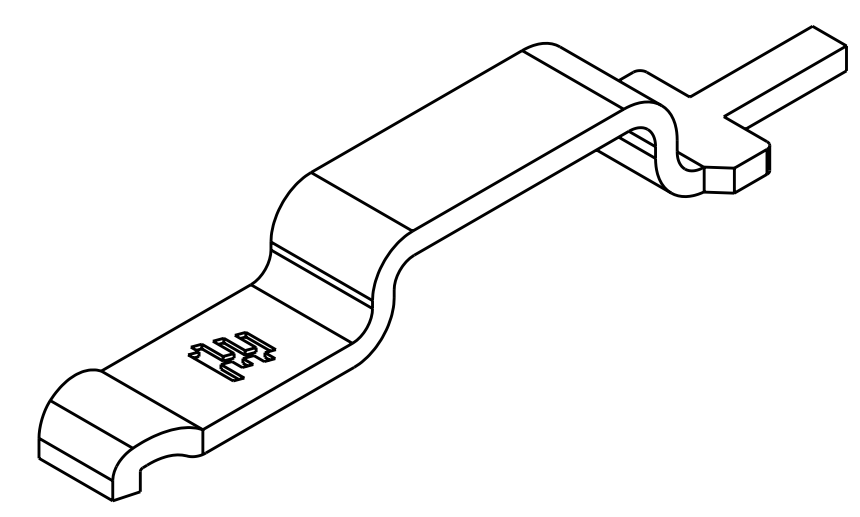
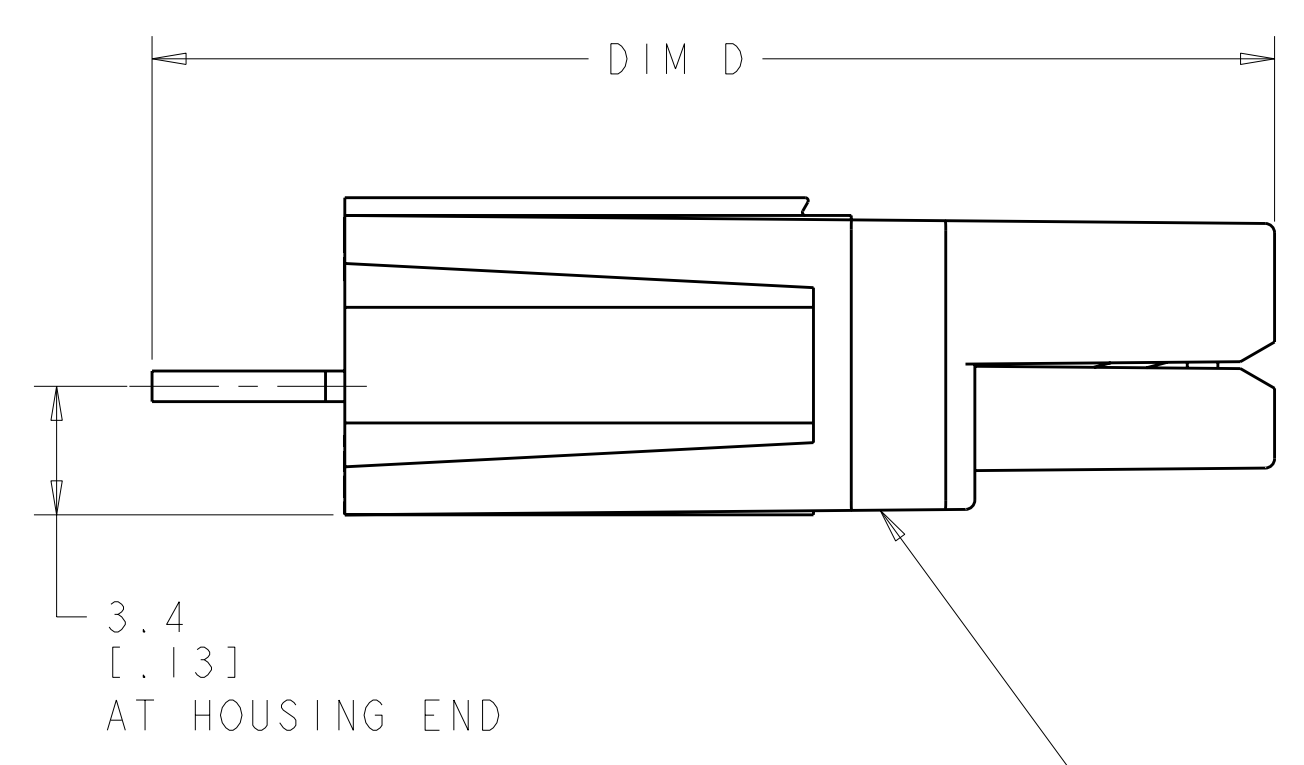
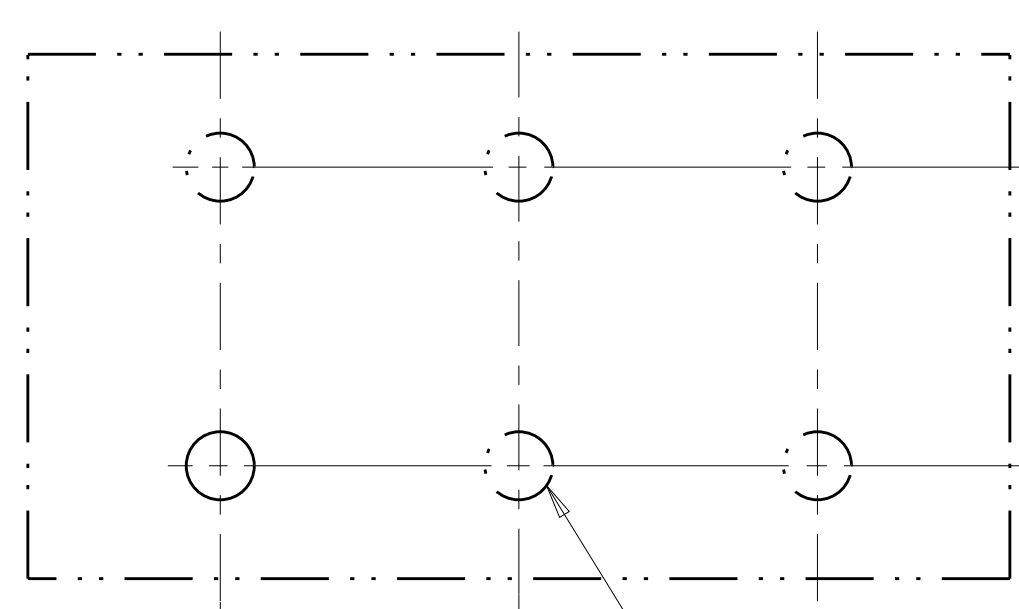


LOC	DIST	REV	DATE	BY	APPD
CM	00	A	27SEP2011	KH	DY



HOUSINGS 1445957, STACKED VERTICALLY (NOT INCLUDED)



TO BE DETERMINED BY CUSTOMER PER APPLICATION

EXPAND AS NECESSARY PER APPLICATION

7.90
[.311]

RECOMMENDED BOARD LAYOUT

437.32 [0.678]	0.00 [0.000]	38.60 [1.520]	17.80 [0.701]	36.80 [1.449]	1-1744128-2
380.24 [0.589]	0.00 [0.000]	34.50 [1.358]	10.20 [0.402]	33.00 [1.299]	1-1744128-1
395.93 [0.614]	56.40 [2.220]	56.40 [2.220]	0.00 [0.000]	54.90 [2.161]	1744128-3
347.26 [0.538]	44.70 [1.760]	44.70 [1.760]	0.00 [0.000]	43.20 [1.701]	1744128-2
285.50 [0.443]	29.70 [1.169]	29.70 [1.169]	0.00 [0.000]	28.20 [1.110]	1744128-1
SURFACE AREA	DIM D	DIM C	DIM B	DIM A	PART NUMBER



THIS DRAWING IS A CONTROLLED DOCUMENT.

DIMENSIONS: mm [INCHES]
 TOLERANCES UNLESS OTHERWISE SPECIFIED:
 9 PLC ±.01 [0.254]
 2 PLC ±0.51 [0.200]
 3 PLC ±0.13 [0.005]
 4 PLC ±.13 [0.005]
 ANGLES ±0°

MATERIAL: COPPER
 FINISH: BRIGHT TIN

DWN: R. WHITAKER 29JUL2008
 CHK: D. BOSSI 29JUL2008
 APVD: D. BOSSI 29JUL2008

NAME: PCB CONTACT, 25 AMP, POWER SERIES
 SIZE: A100779
 CAGE CODE: C=1744128
 DRAWING NO: 1744128

CUSTOMER DRAWING
 SCALE: 5:1
 SHEET: 1 OF 1
 REV: A

X-ON Electronics

Largest Supplier of Electrical and Electronic Components

Click to view similar products for [Power to the Board](#) category:

Click to view products by [TE Connectivity](#) manufacturer:

Other Similar products are found below :

[6450171-4](#) [6450552-7](#) [6600323-8](#) [6643429-1](#) [6646040-2](#) [6651939-1](#) [6766604-1](#) [120959-1](#) [1393557-2](#) [1393532-2](#) [1393532-3](#) [1393532-4](#)
[1393557-1](#) [1600812-5](#) [1-6450861-2](#) [1744132-7](#) [1761122-1](#) [1766250-1](#) [1892109-1](#) [2-6450860-5](#) [2-6450870-0](#) [1-6450161-4](#) [1-6450850-6](#) [1-](#)
[6450869-6](#) [1645526-2](#) [1-6600130-0](#) [2005243-2](#) [377-0020-11130](#) [TE34-12-16P-F0](#) [51700-10201602AALF](#) [5-6450830-6](#) [5646956-4](#) [377-](#)
[0080-11131A](#) [4-6450830-9](#) [4-6600333-3](#) [10125416-4050LF](#) [10130248-005LF](#) [6600320-3](#) [3-6450860-5](#) [1888123-2](#) [6450166-1](#) [6643978-1](#)
[6766605-1](#) [701-15-02109](#) [N11444](#) [6651938-1](#) [6450810-7](#) [46437-1112](#) [1-1589677-8](#) [5646956-5](#)