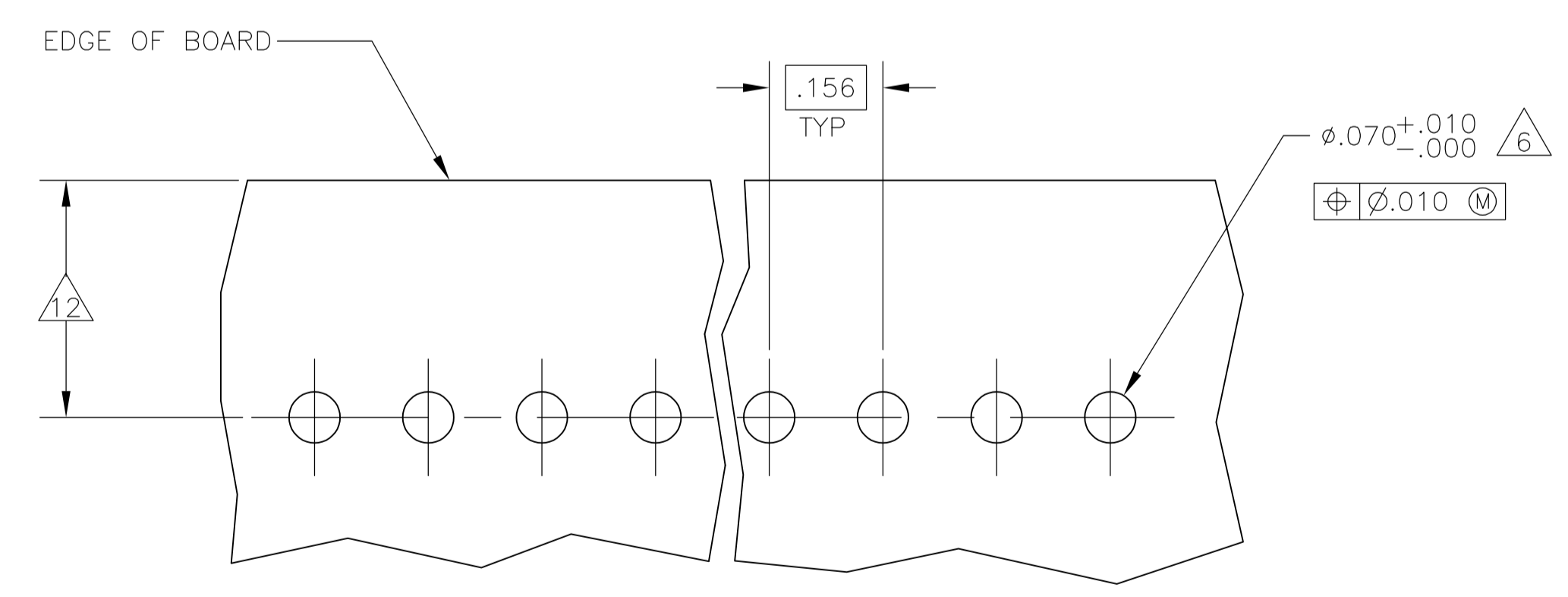
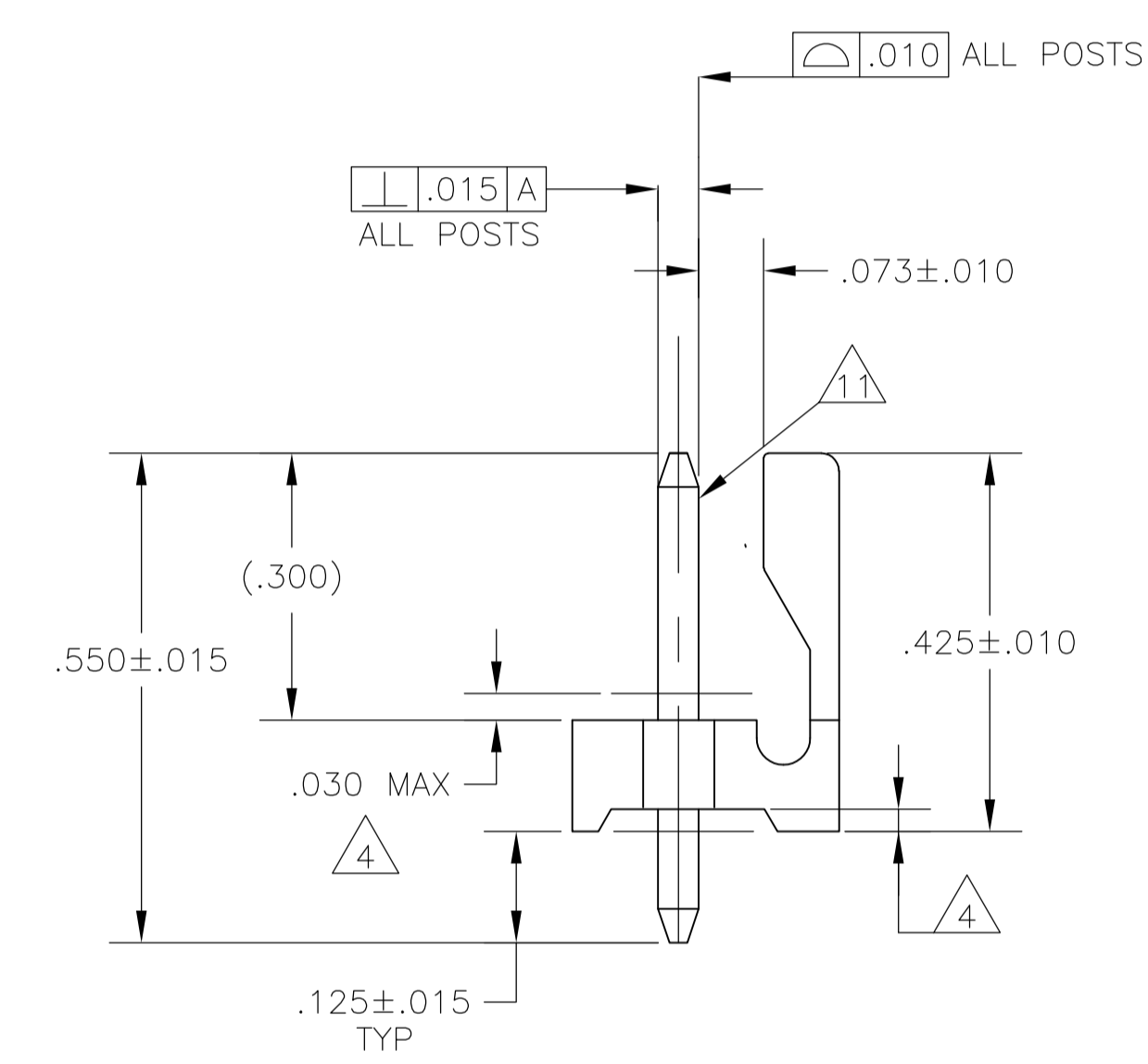
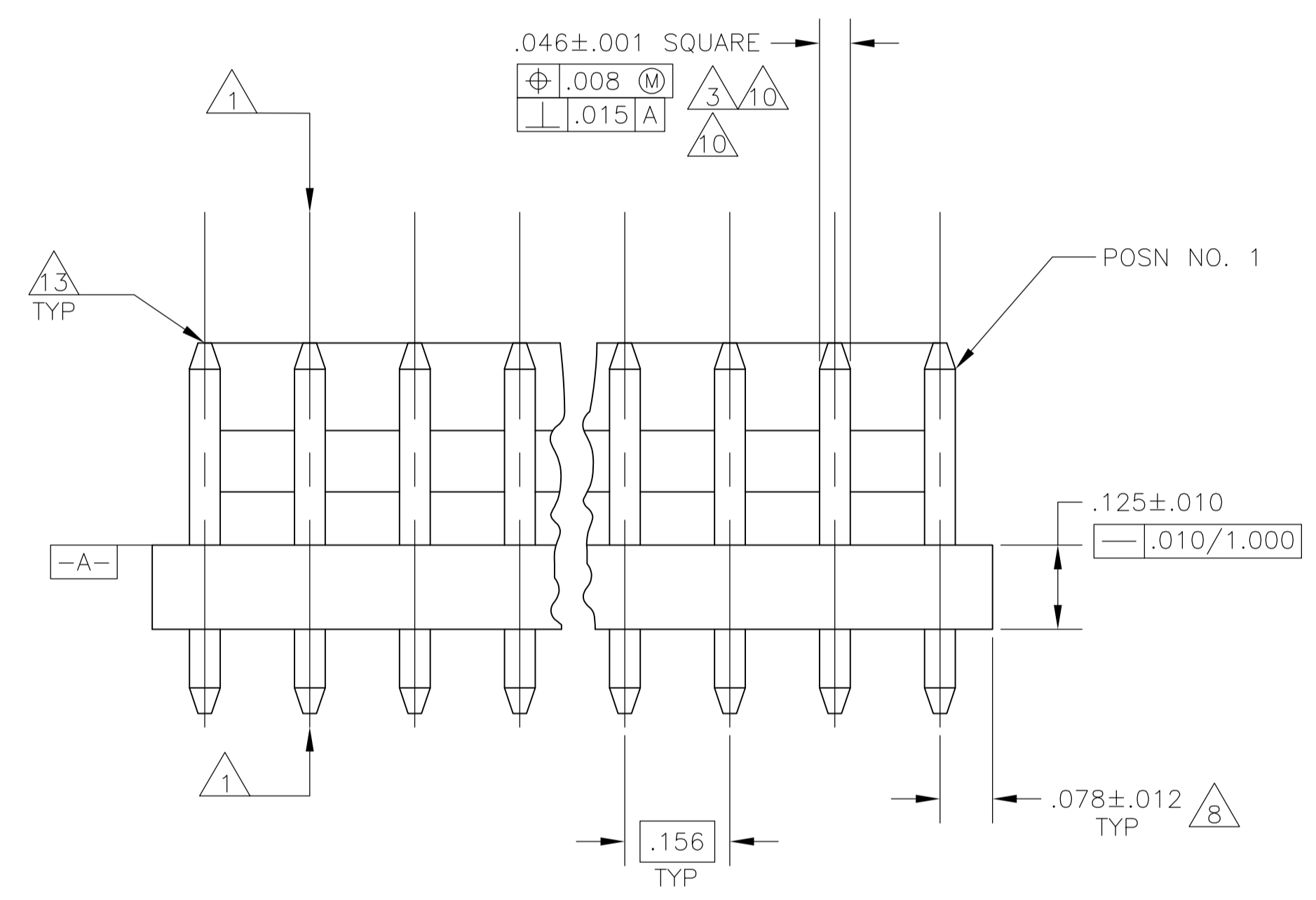
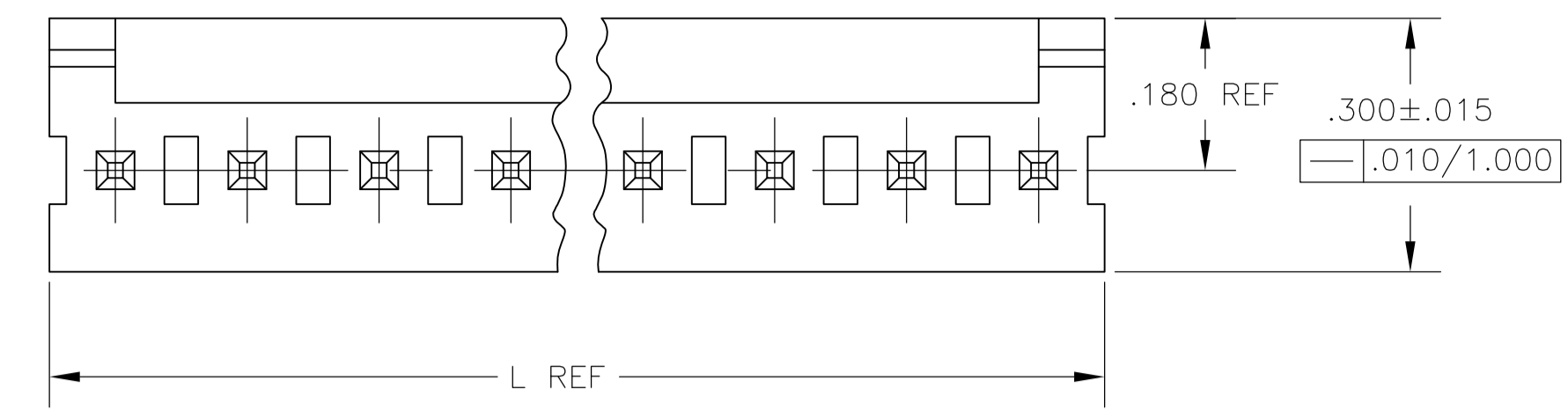


| LOC | DIST | REVISIONS | | | |
|-----|------|-----------|---------|----|-------|
| CM | 00 | REV | DATE | BY | APP'D |
| | | D2 | 15MAR13 | DZ | YHM |



RECOMMENDED MOUNTING HOLE PATTERN FOR .063 THICK P.C. BOARD

- 1 POST TO WITHSTAND 13 NEWTONS (3LBS.) MIN. AXIAL FORCE IN BOTH DIRECTIONS SHOWN WITHOUT DISLODGING.
- 2 TOLERANCES APPLY TO SOLDER SIDE OF BOARD.
- 3 MEASURED AT SURFACE -A-
- 4 PLASTIC FLASH PERMITTED IN THIS AREA.
- 5 PARTS COMPLY WITH AMP SOLDERABILITY SPEC. NO. 109-11-2.
- 6 ONE HOLE MAY BE UNDERSIZED (.065/.060 DIA.) FOR ASSEMBLY RETENTION DURING WAVE SOLDERING.
- 7 MATERIAL: HEADER-THERMOPLASTIC POLYESTER GLASS-FILLED 94V-0 (NATURAL) POST-COPPER ALLOY (TIN PLATED)
- 8 COORDINATE DIMENSION APPLIES FROM CENTER OF ACTUAL FEATURE.
- 9 PLASTIC BURRS CAUSED BY CUT-OFF TOOLING ARE PERMITTED WITHIN THE MAXIMUM TOLERANCE ENVELOPE.
- 10 POST TO BE MEASURED WHEN STRIP IS HELD FLAT.
- 11 POST MUST WITHSTAND TWO 90 BENDS AGAINST EXTRUSION WITHOUT BREAKING.
- 12 DIMENSION SHOULD BE .175 MIN WHEN MATING WITH A MTA 156 CONNECTOR ASSEMBLY OR A SL-156 CONNECTOR ASSEMBLY.
- 13 PIN BURR OF .005 MAX. VERTICAL AND .003 MAX. HORIZONTAL PERMITTED AT POST TIPS ON BOTH ENDS.

| INCHES | MILLIMETERS | INCHES | MILLIMETERS |
|--------|-------------|--------|-------------|
| .068 | 1.73 | 1.000 | 25.40 |
| .065 | 1.65 | .550 | 13.97 |
| .063 | 1.60 | .450 | 11.43 |
| .060 | 1.52 | .425 | 10.80 |
| .045 | 1.14 | .400 | 10.16 |
| .030 | 0.76 | .300 | 7.62 |
| .015 | 0.38 | .180 | 4.57 |
| .012 | 0.30 | .175 | 4.45 |
| .010 | 0.25 | .156 | 3.96 |
| .008 | 0.20 | .125 | 3.18 |
| .005 | 0.13 | .078 | 1.98 |
| .003 | 0.08 | .073 | 1.85 |
| .001 | 0.03 | .070 | 1.78 |
| [IN] | MM | [IN] | MM |

CONVERSION TABLE

| MM | IN | NO. OF POSITIONS | ASSEMBLY PART NO. |
|-------|-------|------------------|-------------------|
| 95.06 | 3.744 | 24 | 2-1744194-4 |
| 91.10 | 3.588 | 23 | 2-1744194-3 |
| 87.14 | 3.432 | 22 | 2-1744194-2 |
| 83.18 | 3.276 | 21 | 2-1744194-1 |
| 79.22 | 3.120 | 20 | 2-1744194-0 |
| 75.26 | 2.964 | 19 | 1-1744194-9 |
| 71.30 | 2.808 | 18 | 1-1744194-8 |
| 67.34 | 2.652 | 17 | 1-1744194-7 |
| 63.38 | 2.496 | 16 | 1-1744194-6 |
| 59.42 | 2.340 | 15 | 1-1744194-5 |
| 55.46 | 2.184 | 14 | 1-1744194-4 |
| 51.50 | 2.028 | 13 | 1-1744194-3 |
| 47.54 | 1.872 | 12 | 1-1744194-2 |
| 43.58 | 1.716 | 11 | 1-1744194-1 |
| 39.62 | 1.560 | 10 | 1-1744194-0 |
| 35.66 | 1.404 | 9 | 1744194-9 |
| 31.70 | 1.248 | 8 | 1744194-8 |
| 27.74 | 1.092 | 7 | 1744194-7 |
| 23.77 | .936 | 6 | 1744194-6 |
| 19.81 | .780 | 5 | 1744194-5 |
| 15.85 | .624 | 4 | 1744194-4 |
| 11.89 | .468 | 3 | 1744194-3 |
| 7.93 | .312 | 2 | 1744194-2 |
| | | | |
| | | | |

THIS DRAWING IS A CONTROLLED DOCUMENT.

APPROVED: D. ROSSI
 CHECKED: D. ROSSI
 DESIGNED: K. WHITAKER

DATE: 15MAR13

DESCRIPTION: MTA-156 HEADER ASSEMBLY, FRICTION LOCK, STRAIGHT .045 SQUARE POST, TIN PLATED

SIZE: A1
 WEIGHT: 00779
 CUSTOMER DRAWING

SCALE: 5:1
 SHEET: 1 OF 1
 REV: D2

X-ON Electronics

Largest Supplier of Electrical and Electronic Components

Click to view similar products for [Headers & Wire Housings](#) category:

Click to view products by [TE Connectivity](#) manufacturer:

Other Similar products are found below :

[892-18-020-10-001101](#) [58102-G61-06LF](#) [582553-1](#) [0009485154](#) [009176003701906](#) [0050291907](#) [LY20-4P-DT1-P1E-BR](#) [02.125.8002.8](#)
[609-3404](#) [61062-3](#) [61082-181009](#) [622-3653LF](#) [63453-116](#) [636-1030](#) [636-1427](#) [636-3427](#) [636-4007](#) [641938-9](#) [641991-4](#) [644827-2](#) [65817-](#)
[010LF](#) [65817-015LF](#) [65863-015LF](#) [66207-023LF](#) [67095-007LF](#) [67601157](#) [68645-018](#) [68648-049](#) [70.362.1628.0](#) [70-4210](#) [70-4226B](#) [70-](#)
[4853B](#) [707-5020](#) [707-5028](#) [71.350.2428.0](#) [71918-208LF](#) [71961-016LF](#) [733-134](#) [733-162](#) [754199-000](#) [760-3052](#) [787-8014-00](#) [79531-3000](#)
[FCN-360C032-B](#) [FCN-367T-T012/H](#) [FCN-723D010/2](#) [80.063.4001.1](#) [800-90-001-10-001000](#) [800-90-010-10-002000](#) [801-43-002-10-013000](#)