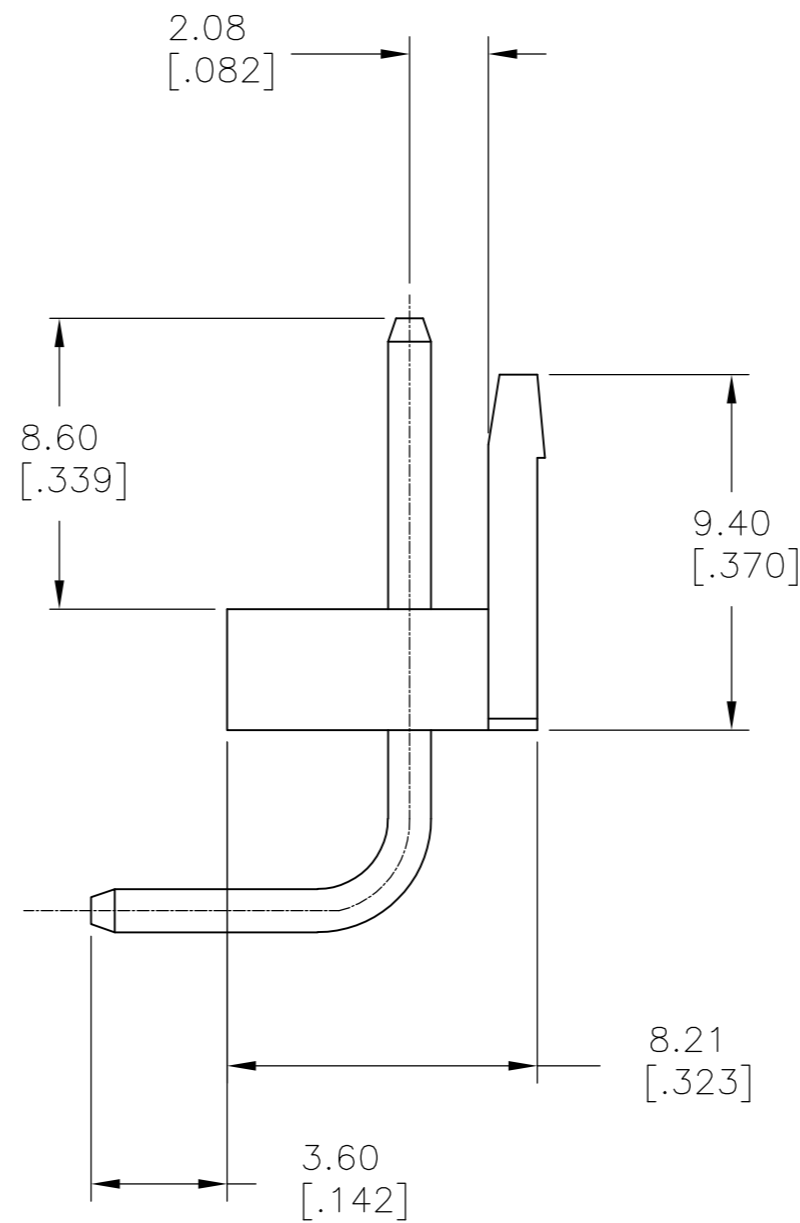
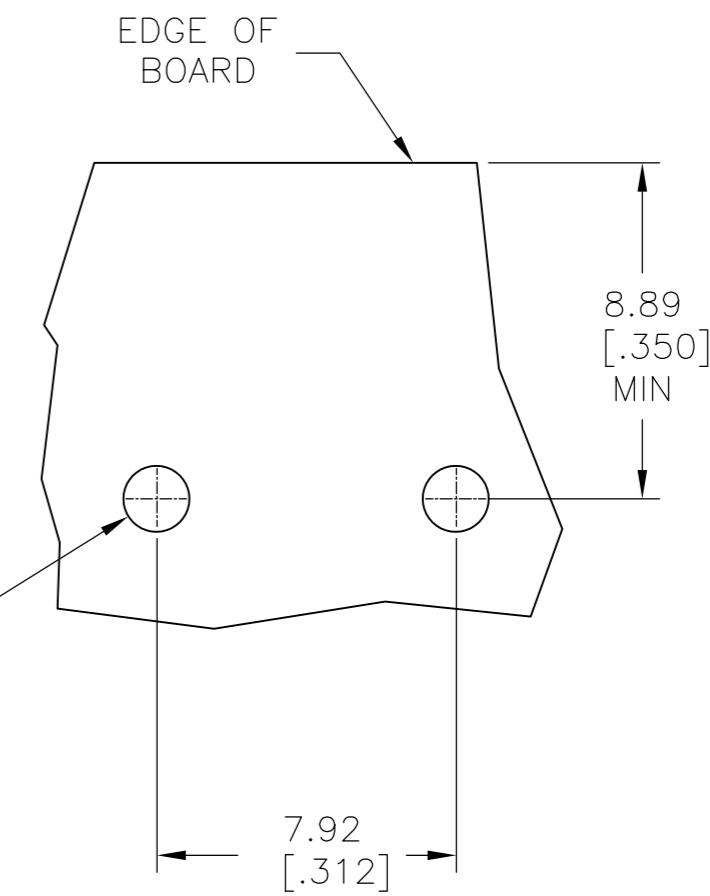
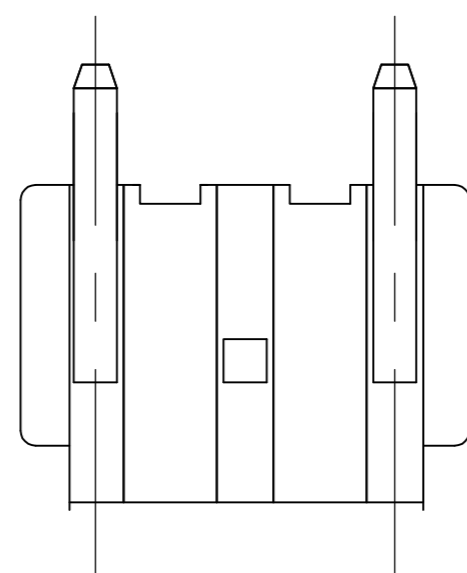
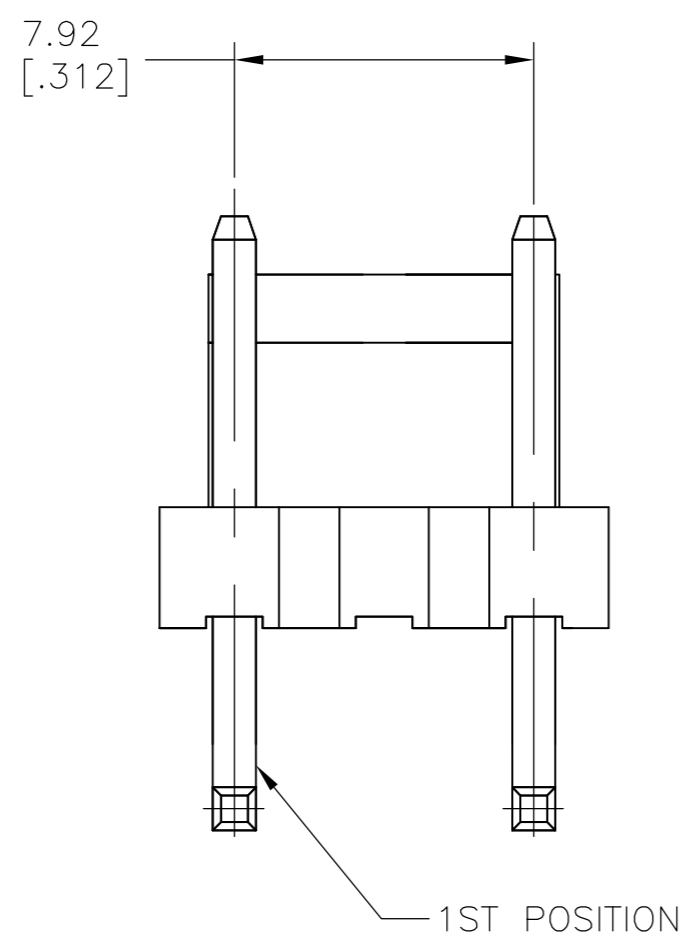
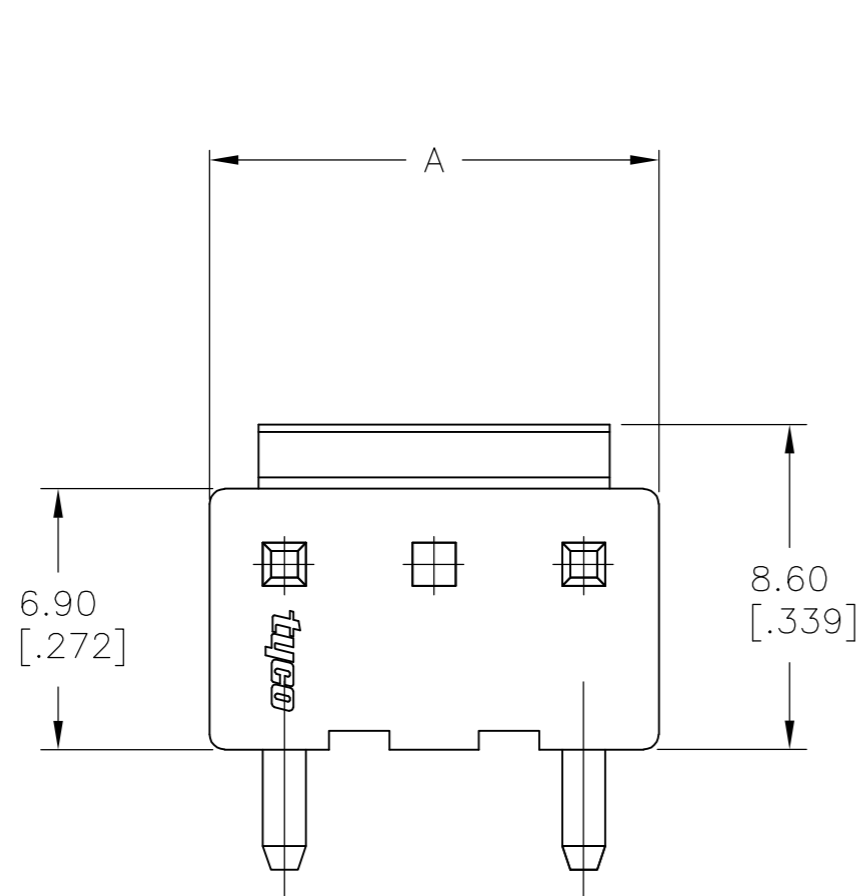


THIS DRAWING IS UNPUBLISHED. RELEASED FOR PUBLICATION  
 © COPYRIGHT BY TYCO ELECTRONICS CORPORATION. ALL INTERNATIONAL RIGHTS RESERVED.

LOC	DIST	REVISIONS			
P	LTR	DESCRIPTION	DATE	DWN	APVD
GP	00				
	C	REVISED PER ECO-09-017647	29OCT2009	CR	CR



- 1 HOUSING MATERIAL: THERMOPLASTIC NYLON 66, UL94V-0  
COLOR: NATURAL.
- 2 CONTACT MATERIAL: BRASS
- 3 CONTACT PLATING: 80u" MIN. TIN PLATED ON CONTACT AREA.

2	11.88	[.468]	1744337-1
POST NO OMITTED	mm	[IN]	PART NUMBER
	DIM A ±0.30		

THIS DRAWING IS A CONTROLLED DOCUMENT.		DWN K. WHITAKER 03JUN2008	Tyco Electronics Corporation Harrisburg, PA 17105-3608	
DIMENSIONS: mm [INCHES]		CHK S. RIDGILL 03JUN2008	NAME S. RIDGILL	
TOLERANCES UNLESS OTHERWISE SPECIFIED:		APVD S. RIDGILL 03JUN2008	PRODUCT SPEC	
0 PLC ± -		APPLICATION SPEC		
1 PLC ± -		WEIGHT		
2 PLC ± -		CUSTOMER DRAWING		
3 PLC ± 0.13 [.005]		SCALE 5:1		
4 PLC ± -		SHEET 1 of 1		
ANGLES ± -		REV C		
FINISH		RESTRICTED TO		
MATERIAL		SIZE CAGE CODE DRAWING NO		
SEE NOTES		A2 00779 C=1744337		

**METRIC**

## **X-ON Electronics**

Largest Supplier of Electrical and Electronic Components

*Click to view similar products for [Headers & Wire Housings](#) category:*

*Click to view products by [TE Connectivity](#) manufacturer:*

Other Similar products are found below :

[TE Connectivity](#)