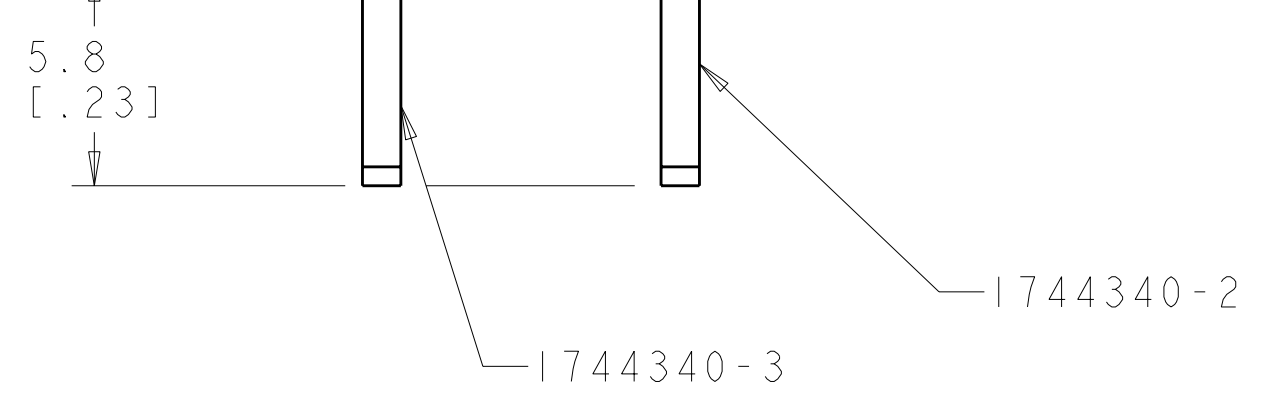
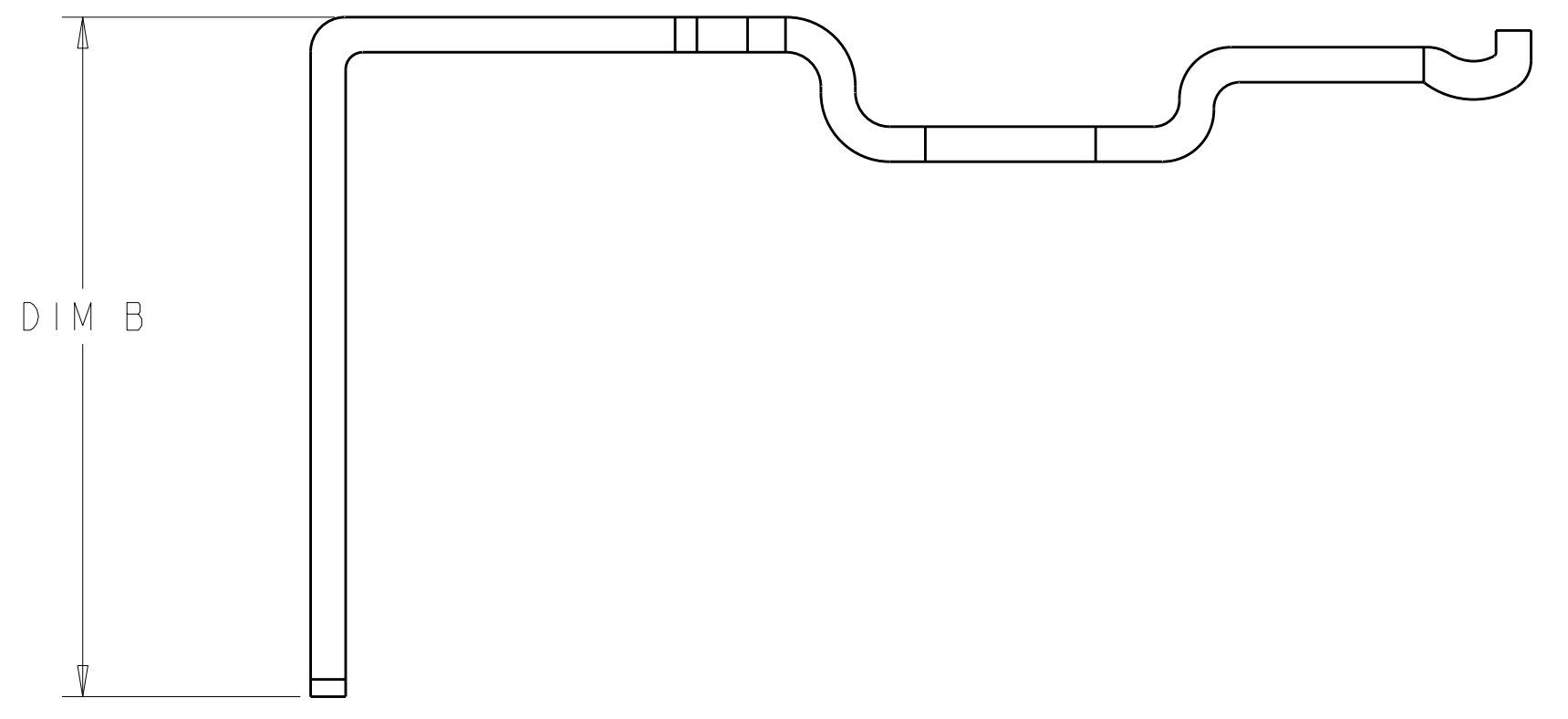
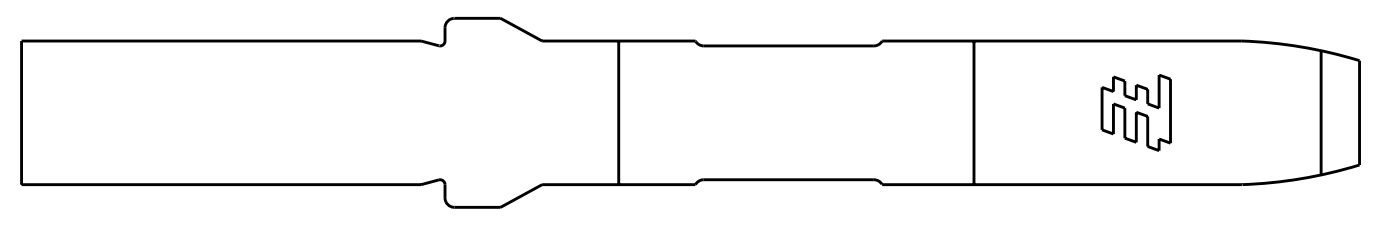
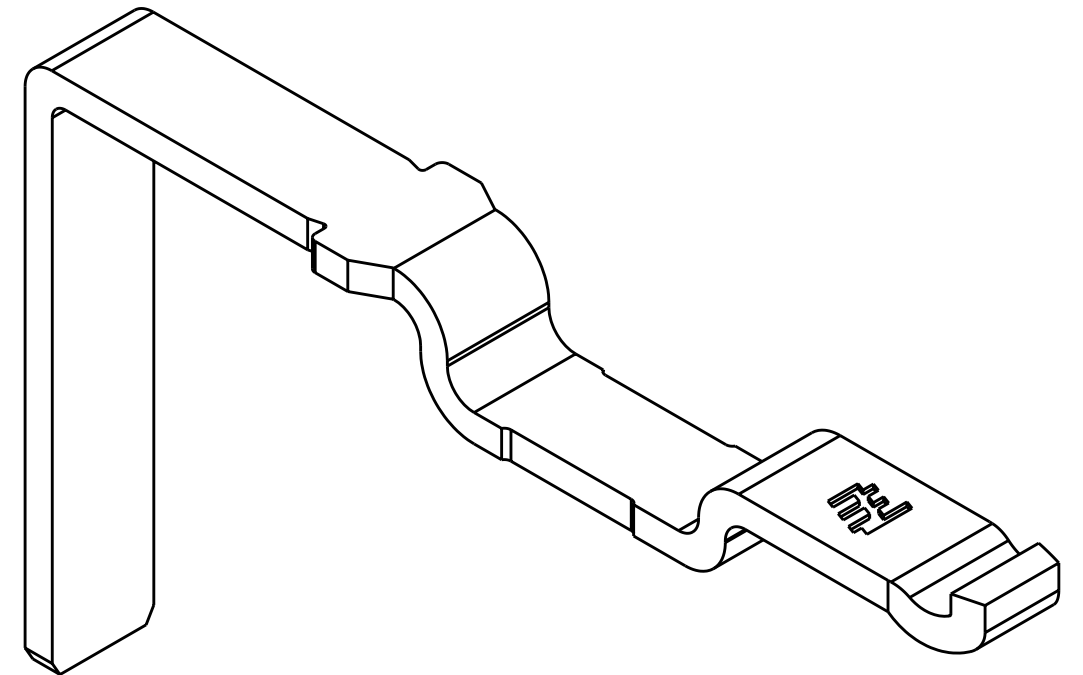
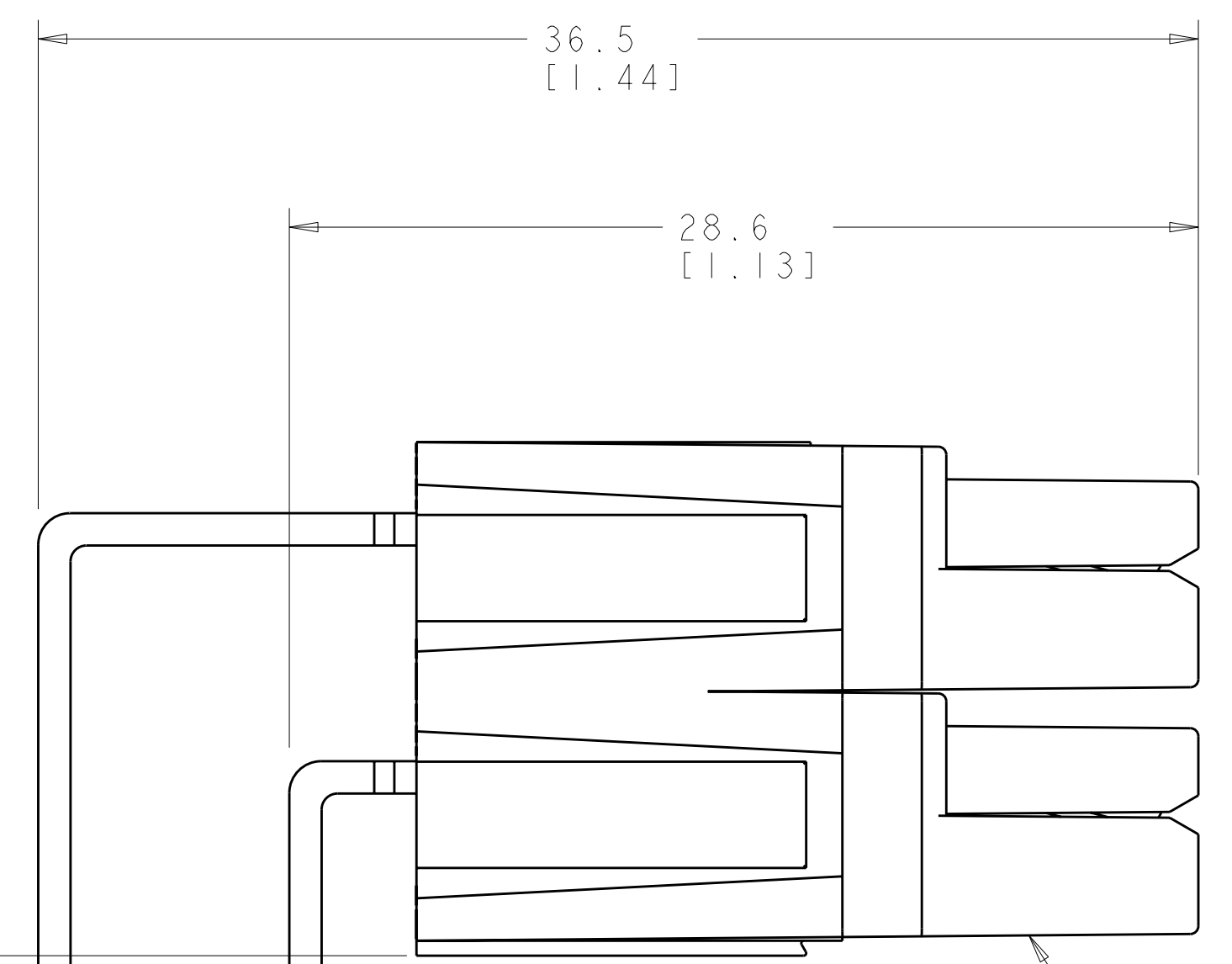
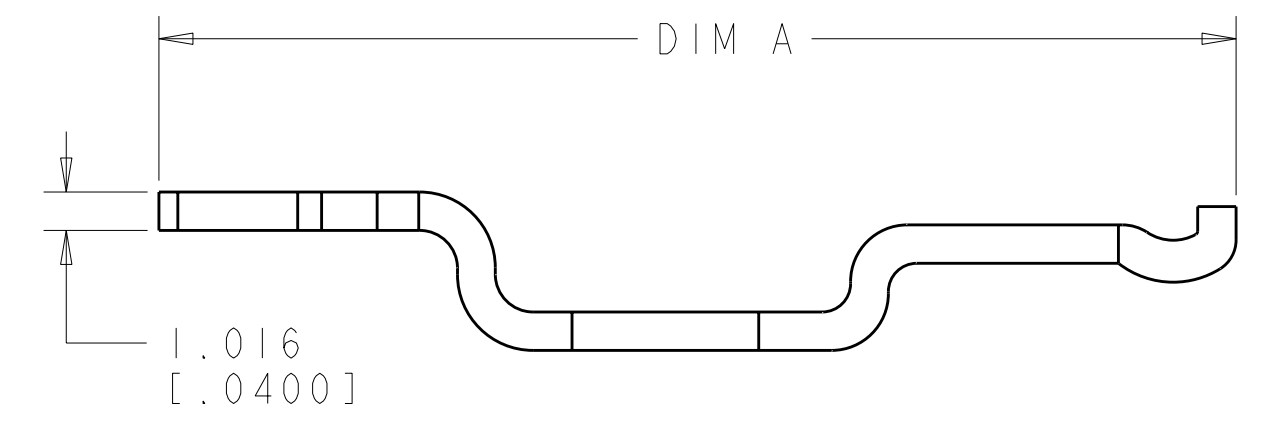
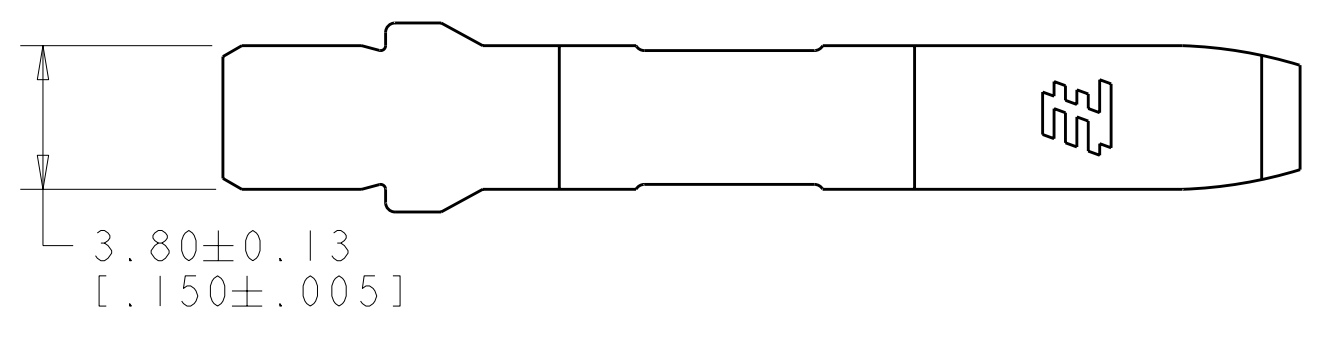
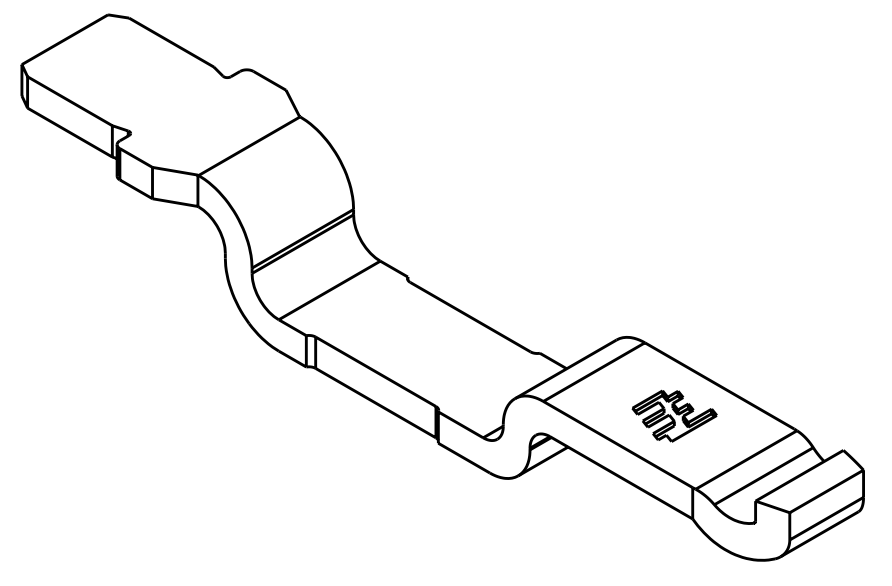
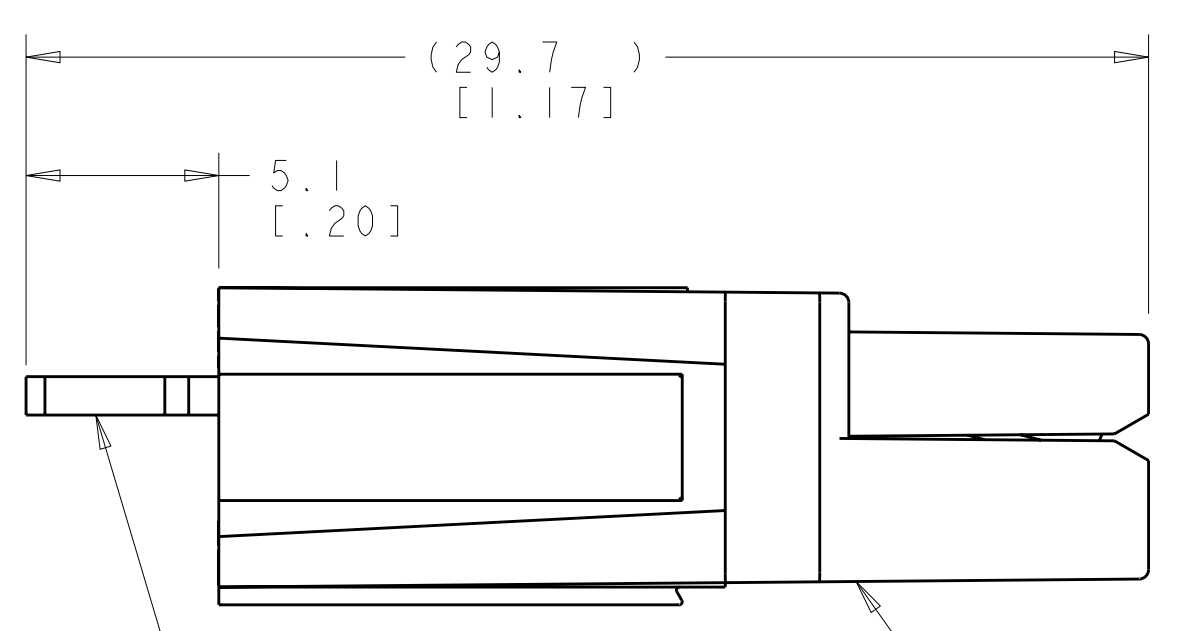
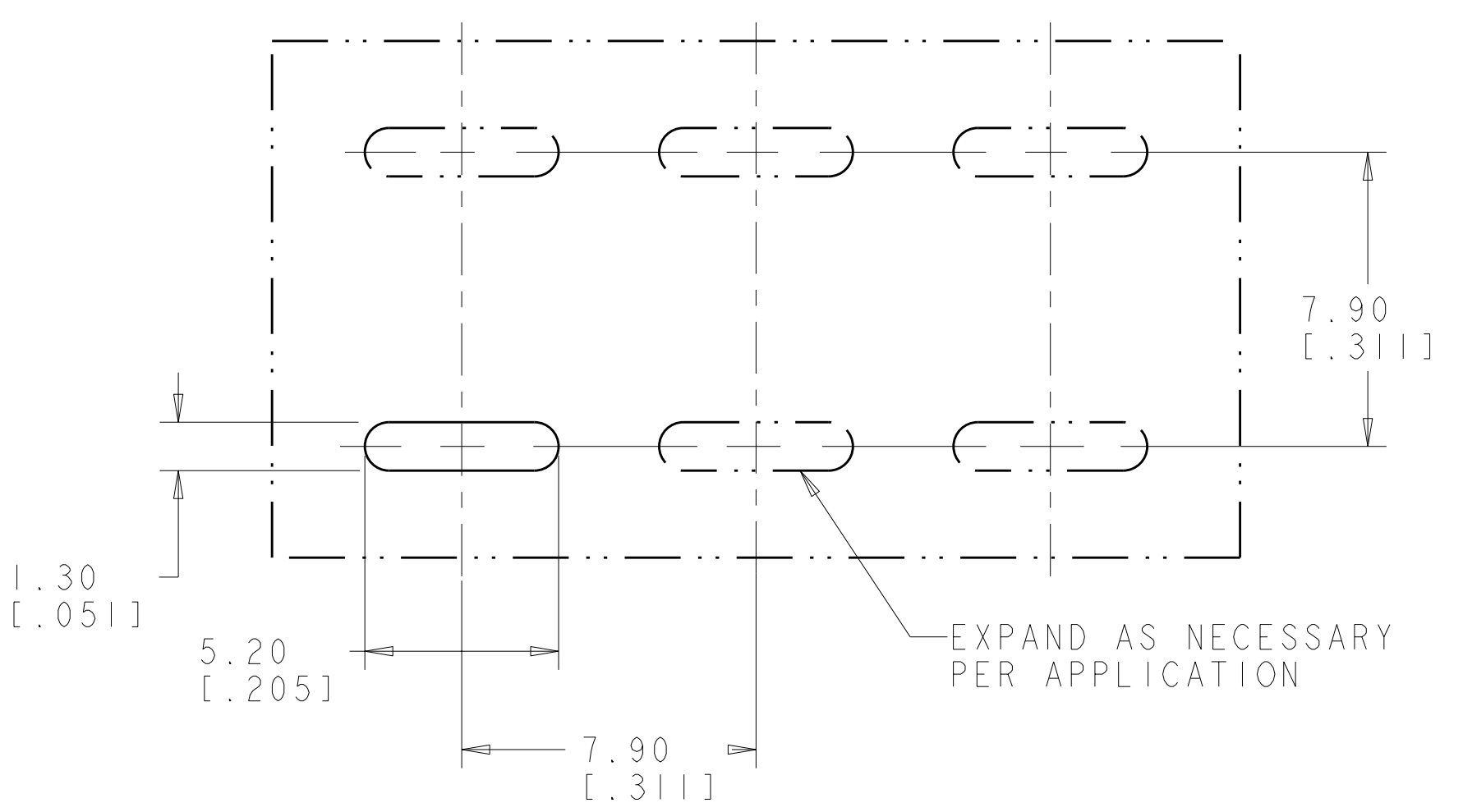


| LOC |    | DIST |     | REVISIONS                 |           |     |      |
|-----|----|------|-----|---------------------------|-----------|-----|------|
| CM  | 00 | P    | LTR | DESCRIPTION               | DATE      | DWN | APVD |
|     |    | A    |     | REVISED PER ECO-11-018956 | 27SEP2011 | KH  | DY   |



HOUSINGS 1445957, STACKED VERTICALLY (NOT INCLUDED)



RECOMMENDED BOARD LAYOUT

|                |               |               |             |
|----------------|---------------|---------------|-------------|
| 565.23 [0.876] | 19.70 [0.776] | 35.40 [1.394] | 1744340-3   |
| 414.01 [0.642] | 11.90 [0.469] | 27.50 [1.083] | 1744340-2   |
| 320.94 [0.497] | 0.00 [0.000]  | 28.50 [1.122] | 1744340-1   |
| SURFACE AREA   | DIM B         | DIM A         | PART NUMBER |

THIS DRAWING IS A CONTROLLED DOCUMENT.

|                         |  |                            |                         |  |                   |
|-------------------------|--|----------------------------|-------------------------|--|-------------------|
| DIMENSIONS: mm [INCHES] | TOLERANCES UNLESS OTHERWISE SPECIFIED: | DWN: R. WHITAKER 22JUL2008 | CHK: D. BOSSI 22JUL2008 | APVD: D. BOSSI 22JUL2008                   | NAME: R. WHITAKER |
| 9 PLC ±.5 [.020]        | 2 PLC ±0.13 [0.005]                    | PRODUCT SPEC               |                         | PCB CONTACT, HIGH POWER, POWER SERIES      |                   |
| 5 PLC ±.13 [0.005]      | 4 PLC ±.13 [0.005]                     | APPLICATION SPEC           |                         | SIZE: CAGE CODE: DRAWING NO: RESTRICTED TO |                   |
| ANGLES ±°               | FINISH ±°                              | WEIGHT                     |                         | A100779C=1744340                           |                   |
| MATERIAL: COPPER        | FINISH: BRIGHT TIN                     | CUSTOMER DRAWING           |                         | SCALE: 6:1 SHEET 1 OF 1 REV A              |                   |



## X-ON Electronics

Largest Supplier of Electrical and Electronic Components

*Click to view similar products for [Power to the Board](#) category:*

*Click to view products by [TE Connectivity](#) manufacturer:*

Other Similar products are found below :

[6450171-4](#) [6450552-7](#) [6600323-8](#) [6643429-1](#) [6646040-2](#) [6651939-1](#) [6766604-1](#) [120959-1](#) [1393557-2](#) [1393532-2](#) [1393532-3](#) [1393532-4](#)  
[1393557-1](#) [1600812-5](#) [1-6450861-2](#) [1744132-7](#) [1761122-1](#) [1766250-1](#) [1892109-1](#) [2-6450860-5](#) [2-6450870-0](#) [1-6450161-4](#) [1-6450850-6](#) [1-6450869-6](#) [1645526-2](#) [1-6600130-0](#) [2005243-2](#) [377-0020-11130](#) [TE34-12-16P-F0](#) [5-6450830-6](#) [5646956-4](#) [377-0080-11131A](#) [4-6450830-9](#)  
[4-6600333-3](#) [10125416-4050LF](#) [6600320-3](#) [3-6450860-5](#) [1888123-2](#) [6450166-1](#) [6643978-1](#) [6766605-1](#) [701-15-02109](#) [N11444](#) [6651938-1](#)  
[6450810-7](#) [46437-1112](#) [1-1589677-8](#) [5646956-5](#) [6450813-2](#) [6450129-4](#)