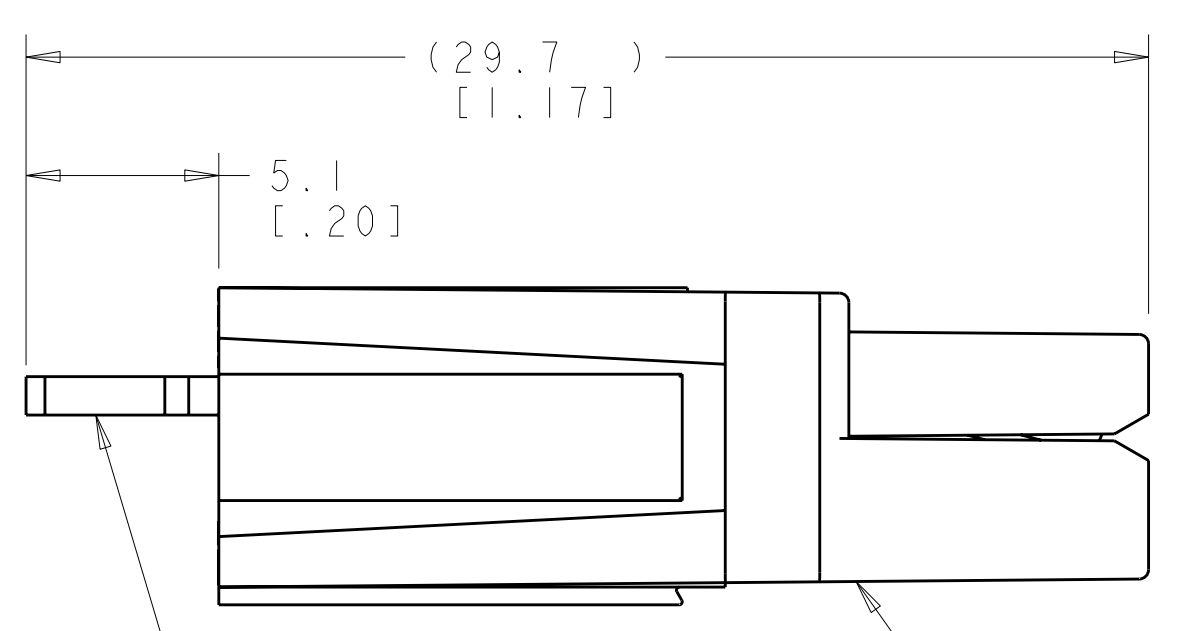
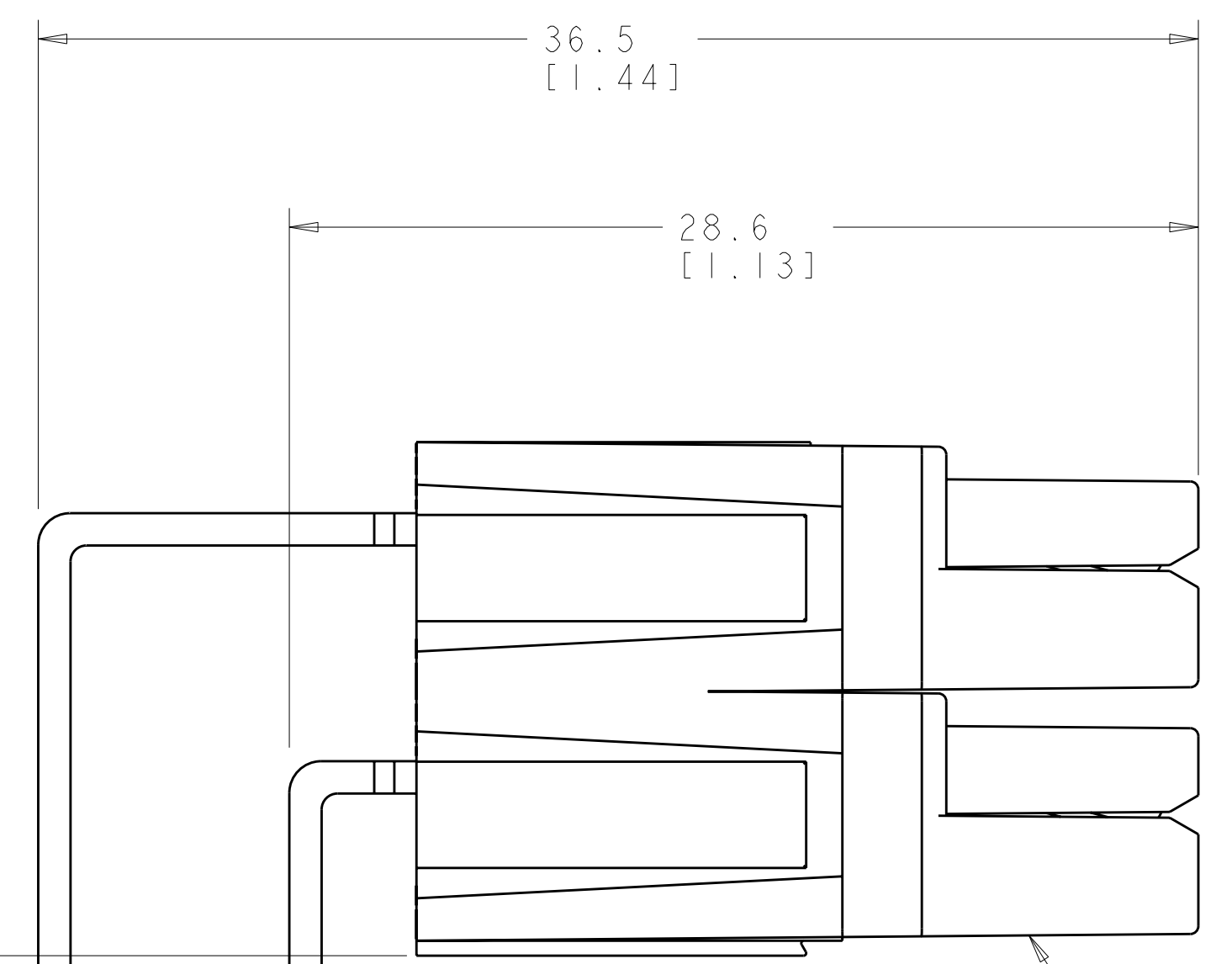
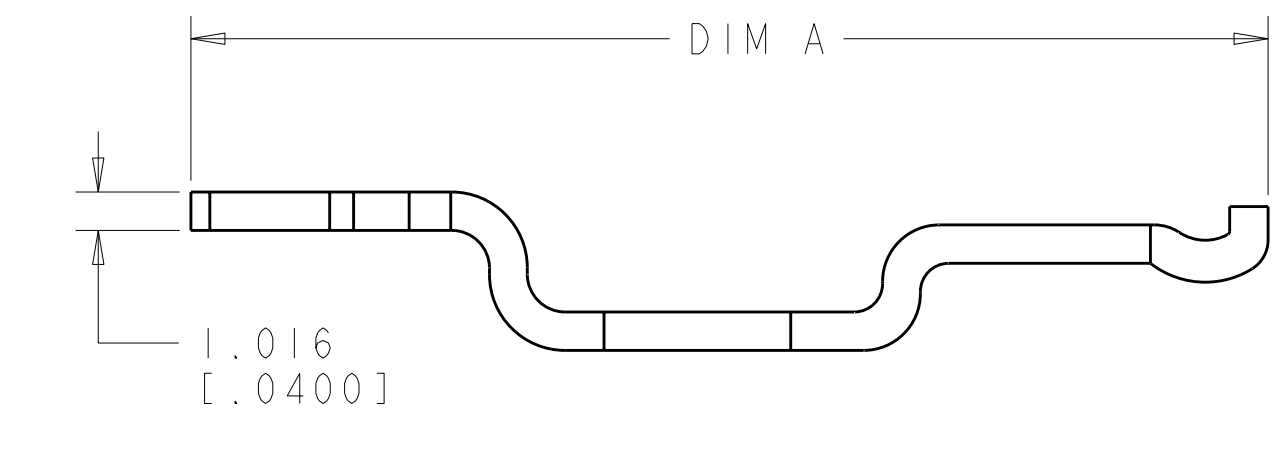
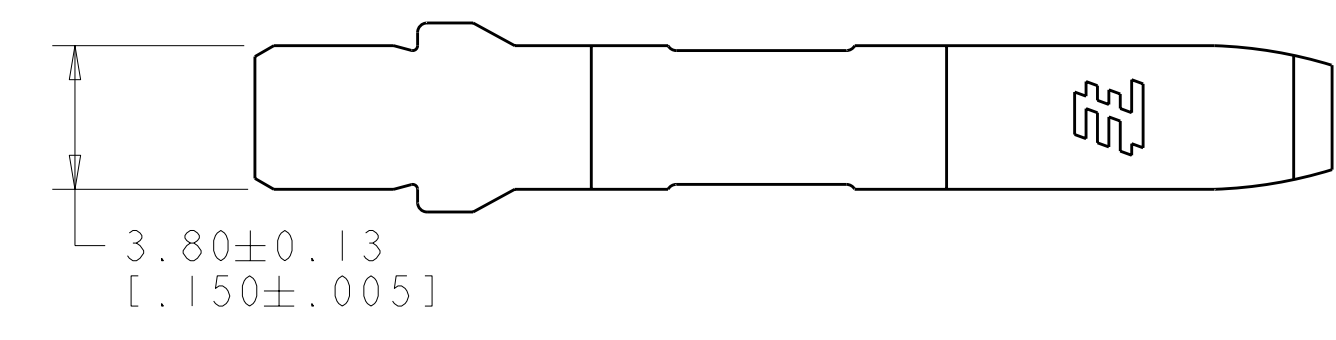
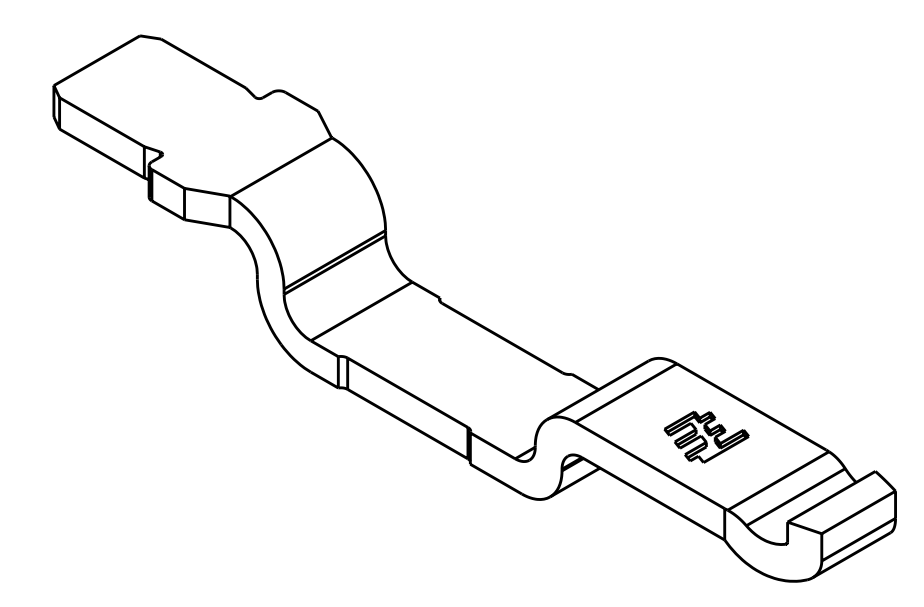


LOC		DIST		REVISIONS			
CM	00	P	LTR	DESCRIPTION	DATE	DWN	APVD
		A		REVISED PER ECO-11-018956	27SEP2011	KH	DY



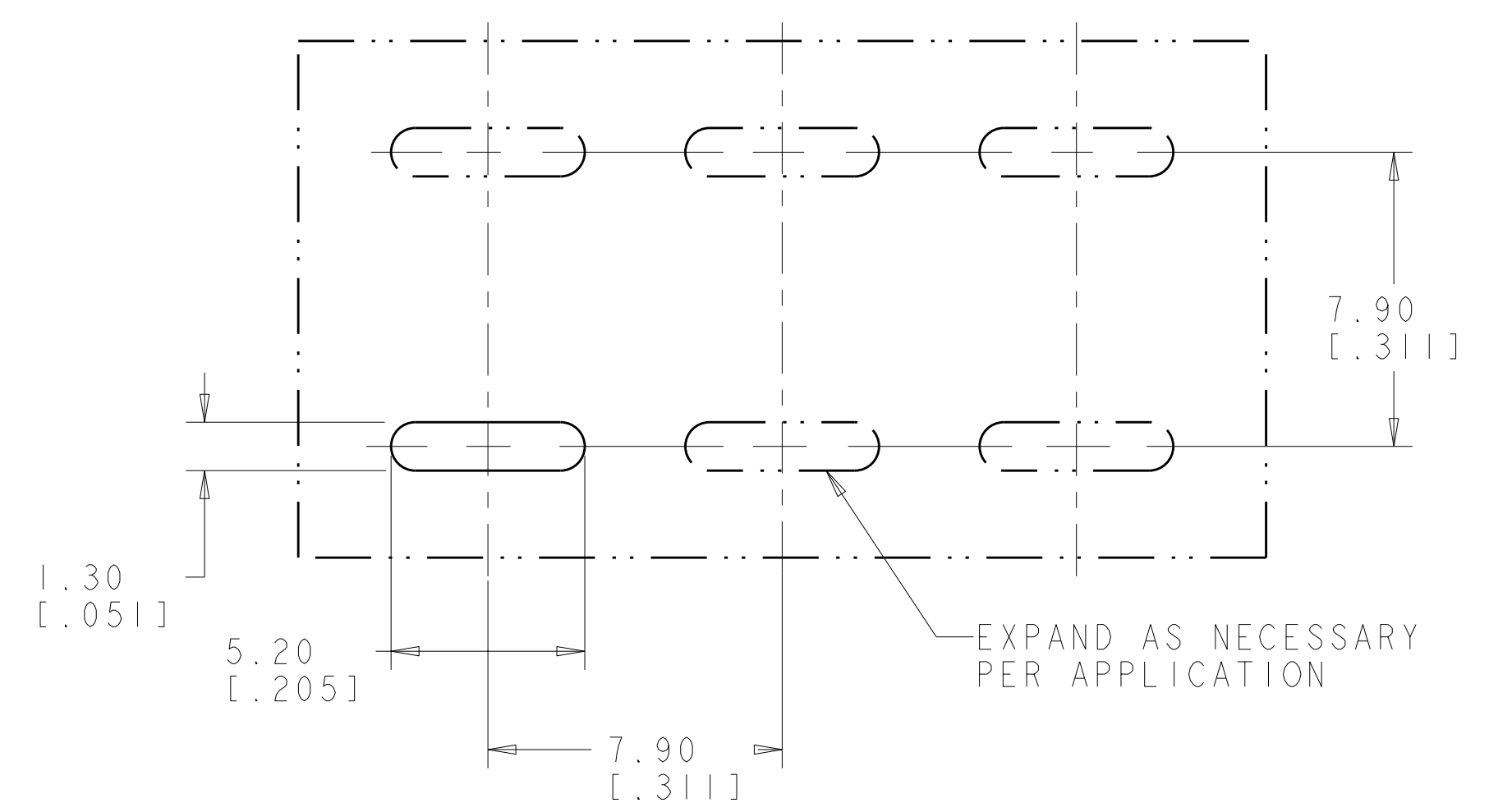
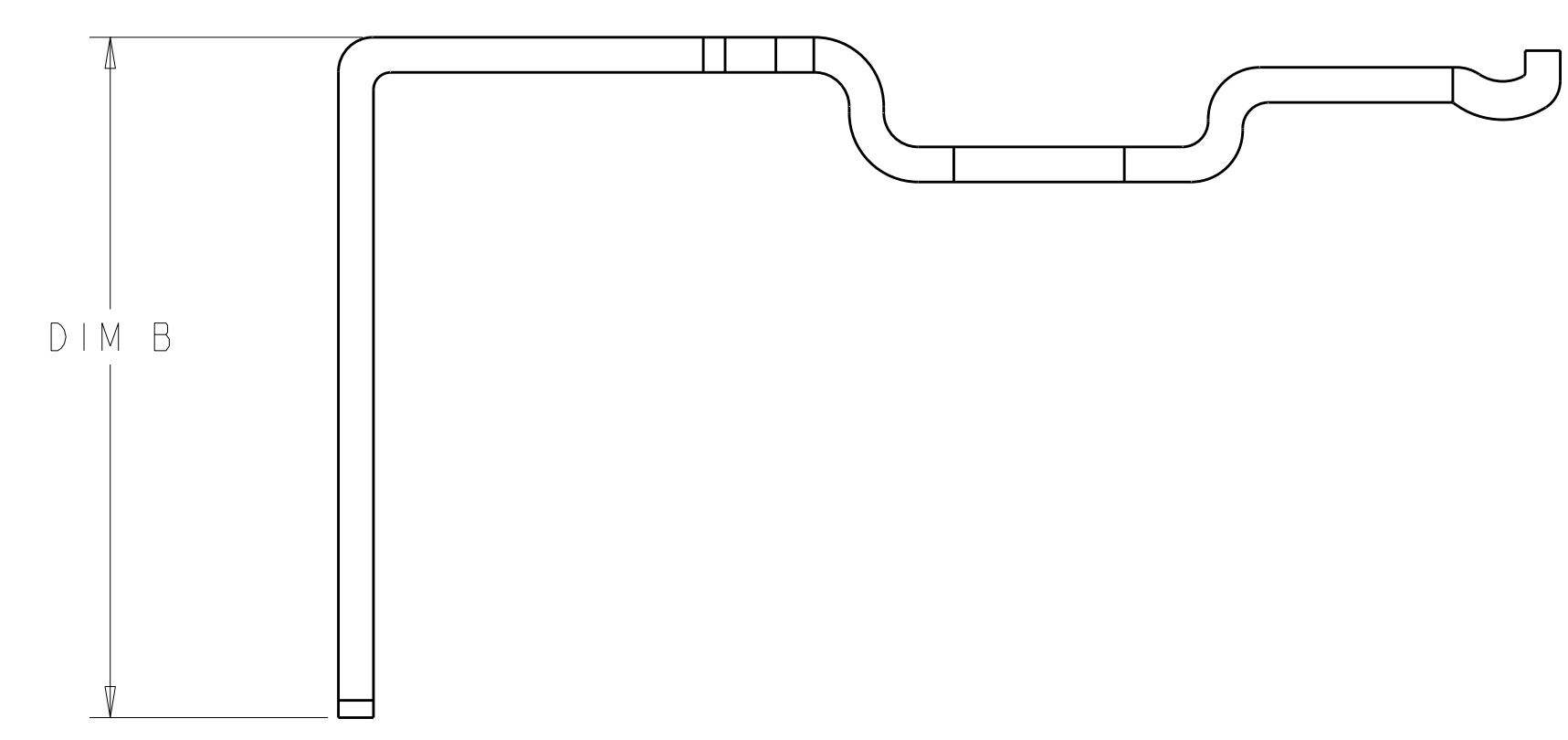
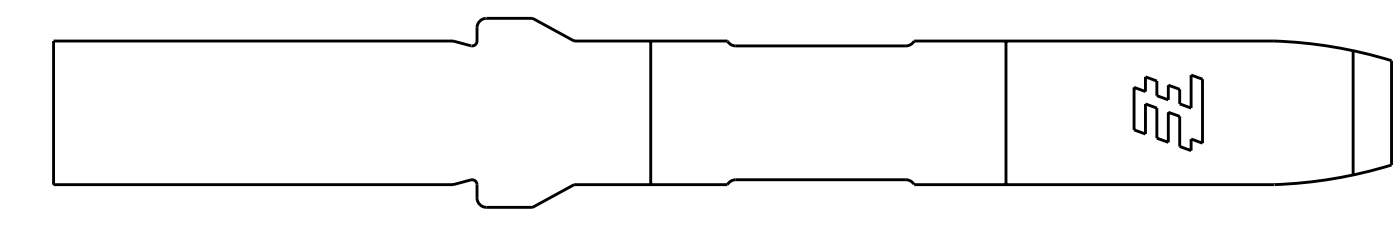
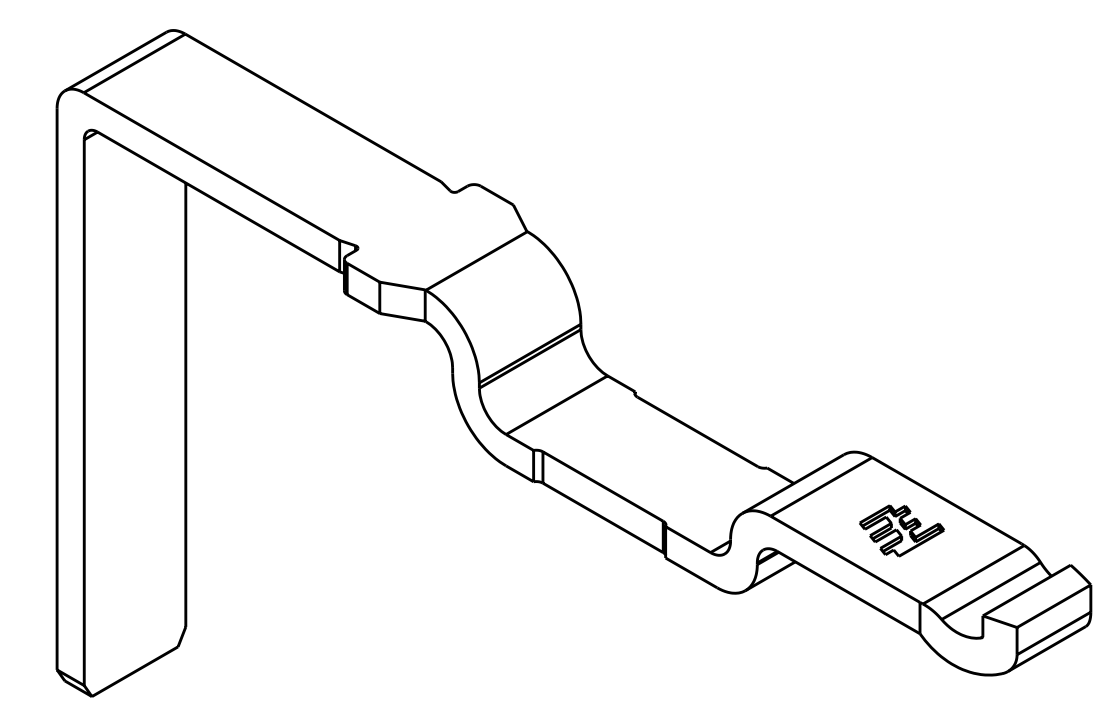
1744340-1

HOUSING 1445957, (NOT INCLUDED)



1744340-2

HOUSINGS 1445957, STACKED VERTICALLY (NOT INCLUDED)



RECOMMENDED BOARD LAYOUT

EXPAND AS NECESSARY PER APPLICATION

565.23 [0.876]	19.70 [0.776]	35.40 [1.394]	1744340-3
414.01 [0.642]	11.90 [0.469]	27.50 [1.083]	1744340-2
320.94 [0.497]	0.00 [0.000]	28.50 [1.122]	1744340-1
SURFACE AREA	DIM B	DIM A	PART NUMBER

THIS DRAWING IS A CONTROLLED DOCUMENT.		DWN: R. WHITAKER 22JUL2008	TE Connectivity
DIMENSIONS: mm [INCHES]		CHK: D. BOSSI 22JUL2008	
TOLERANCES UNLESS OTHERWISE SPECIFIED:		APVD: D. BOSSI 22JUL2008	NAME: PCB CONTACT, HIGH POWER, POWER SERIES
9 PLC ± .5 [0.020]		PRODUCT SPEC	SIZE: CAGE CODE: DRAWING NO: RESTRICTED TO
7 PLC ±0.13 [0.005]		APPLICATION SPEC	A100779C=1744340
5 PLC ±0.13 [0.005]		FINISH: ±0°	WEIGHT: -
4 PLC ± .			CUSTOMER DRAWING
MATERIAL: COPPER	FINISH: BRIGHT TIN		SCALE: 6:1 SHEET 1 OF 1 REV A



X-ON Electronics

Largest Supplier of Electrical and Electronic Components

Click to view similar products for [Power to the Board](#) category:

Click to view products by [TE Connectivity](#) manufacturer:

Other Similar products are found below :

[6450171-4](#) [6450552-7](#) [6600323-8](#) [6643429-1](#) [6646040-2](#) [6651939-1](#) [6766604-1](#) [120959-1](#) [1393557-2](#) [1393532-2](#) [1393532-3](#) [1393532-4](#)
[1393557-1](#) [1600812-5](#) [1-6450861-2](#) [1744132-7](#) [1761122-1](#) [1766250-1](#) [1892109-1](#) [2-6450860-5](#) [2-6450870-0](#) [1-6450161-4](#) [1-6450850-6](#) [1-](#)
[6450869-6](#) [1645526-2](#) [1-6600130-0](#) [2005243-2](#) [377-0020-11130](#) [TE34-12-16P-F0](#) [51700-10201602AALF](#) [5-6450830-6](#) [5646956-4](#) [377-](#)
[0080-11131A](#) [4-6450830-9](#) [4-6600333-3](#) [10125416-4050LF](#) [10130248-005LF](#) [6600320-3](#) [3-6450860-5](#) [1888123-2](#) [6450166-1](#) [6643978-1](#)
[6766605-1](#) [701-15-02109](#) [N11444](#) [6651938-1](#) [6450810-7](#) [46437-1112](#) [1-1589677-8](#) [5646956-5](#)