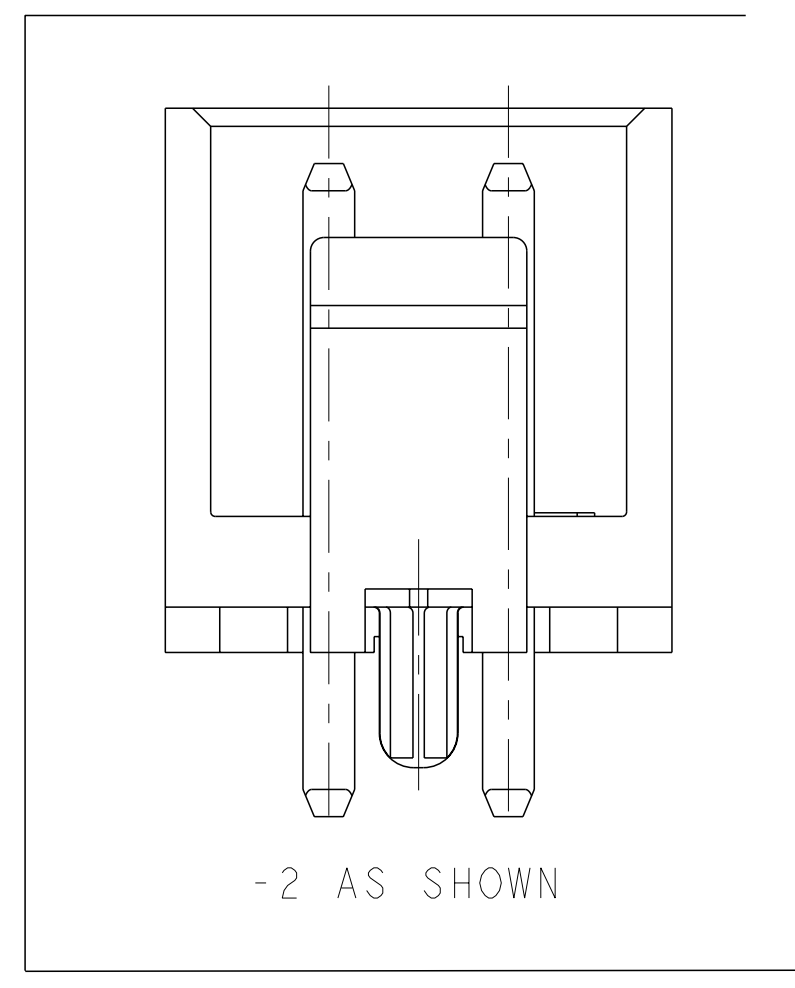
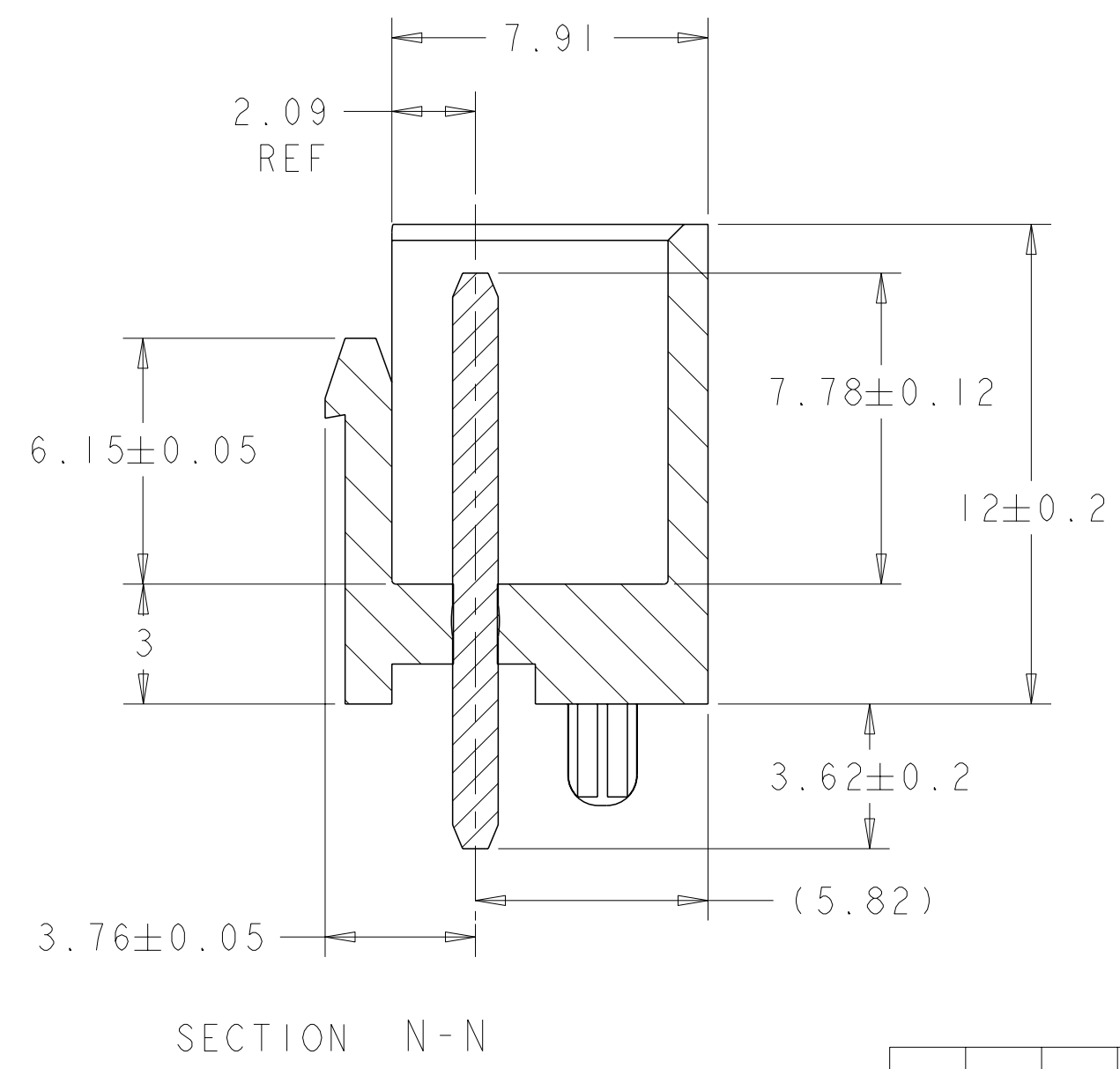
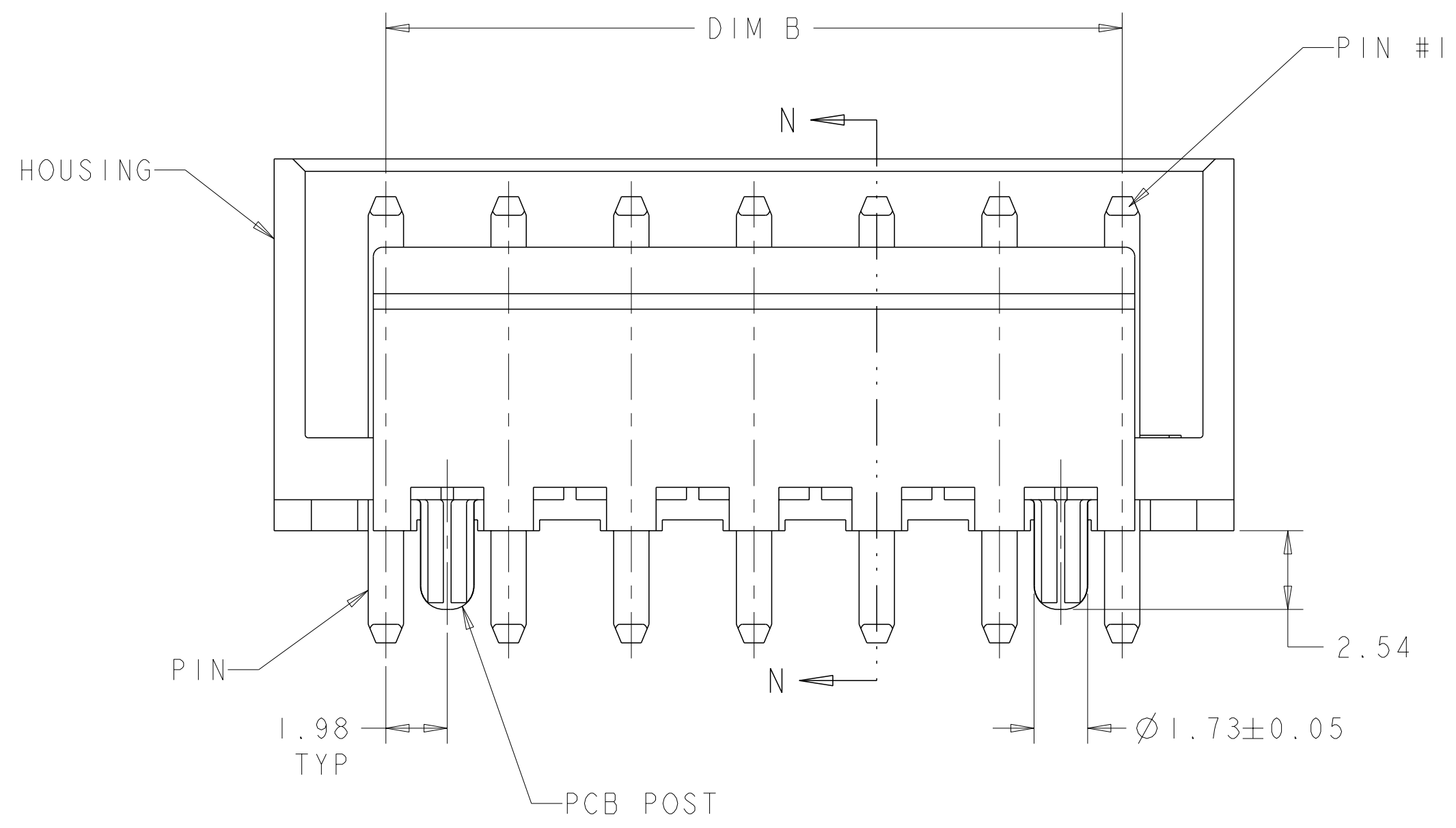
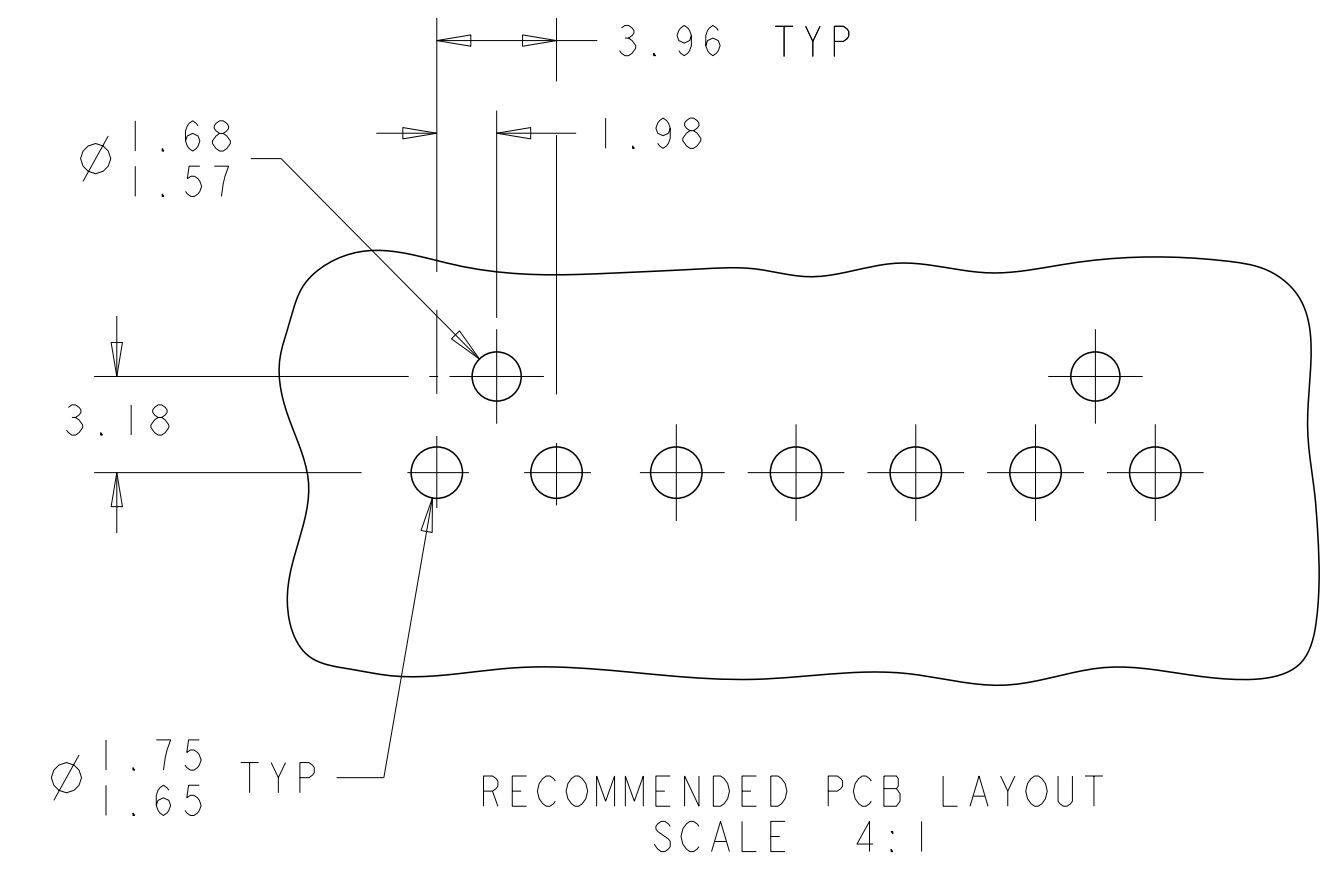
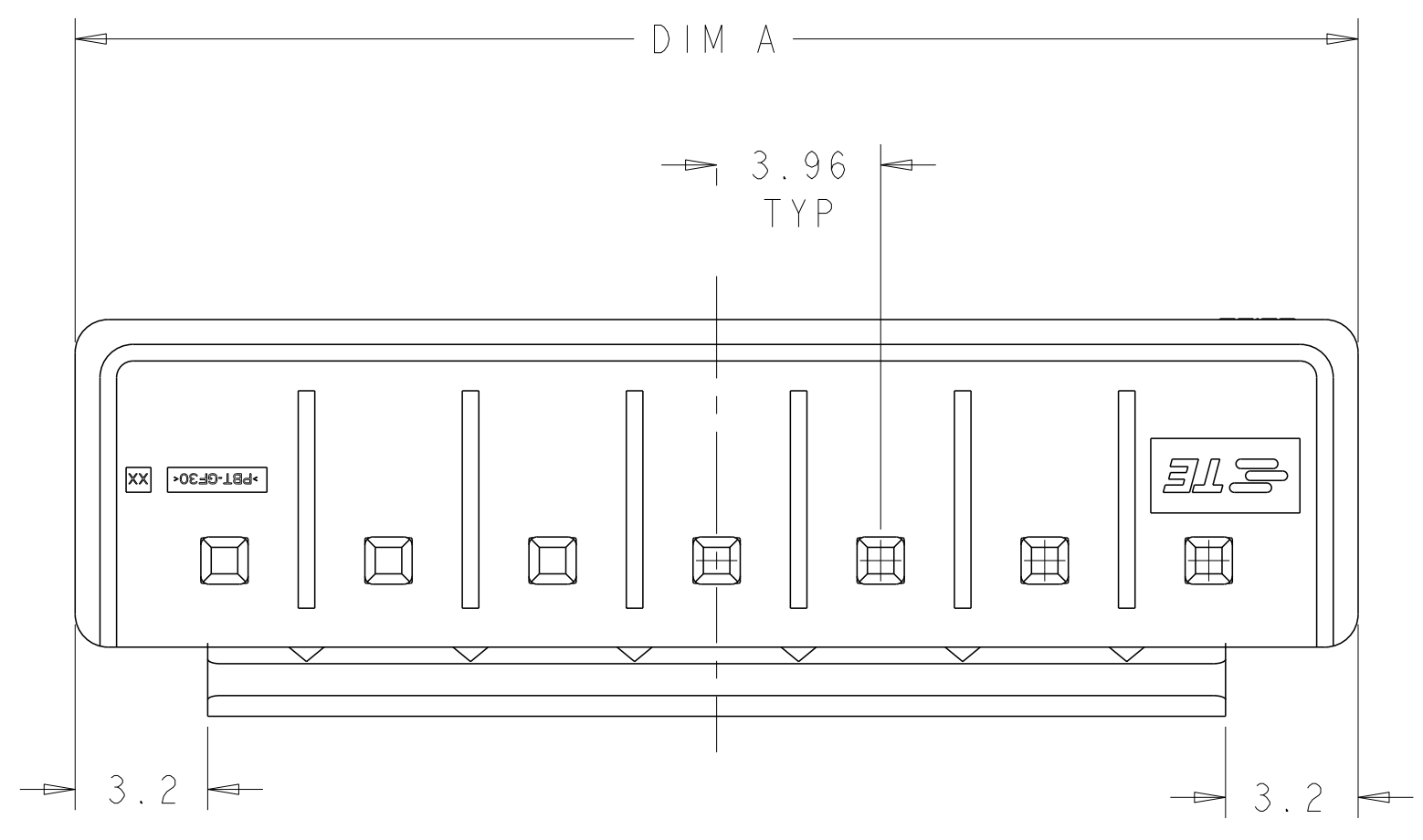


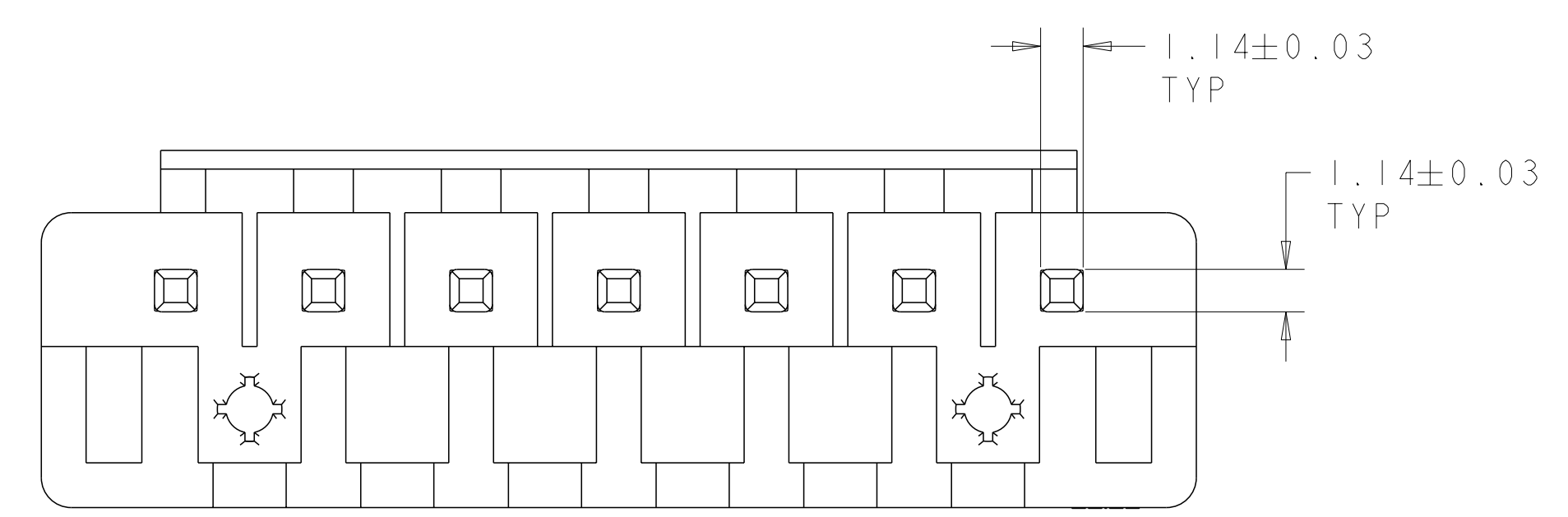
LOC		DIST		REVISIONS			
GP	00	P	LYR	DESCRIPTION	DATE	OWN	APVD
		J1		REVISED PER ECR-17-012916	04AUG2017	WH	DZ

△ MATERIAL: HOUSING; PBT GLASS FILLED UL94V-0
 HOUSING COLOR - NATURAL
 PIN; BRASS
 △ FINISH: PIN, 1.0μ MIN TIN OVER 0.8 MIN NICKEL.



"X" INDICATES PIN IS OMITTED AT THAT POSITION

OBSOLETE	0	0	0	0	0	0	0	0	0	0	0	15.84	23.05	5	2-1744357-0
OBSOLETE	0	0	0	0	0	0	0	0	0	0	0	43.56	50.77	12	1-1744357-2
OBSOLETE		0	0	0	0	0	0	0	0	0	0	39.60	46.81	11	1-1744357-1
OBSOLETE			0	0	0	0	0	0	0	0	0	35.64	42.85	10	1-1744357-0
				0	0	0	0	0	0	0	0	31.68	38.89	9	1744357-9
					0	0	0	0	0	0	0	27.72	34.93	8	1744357-8
						0	0	0	0	0	0	23.76	30.97	7	1744357-7
							0	0	0	0	0	19.80	27.01	6	1744357-6
								0	0	0	0	15.84	23.05	5	1744357-5
									0	0	0	11.88	19.09	4	1744357-4
										0	0	7.92	15.13	3	1744357-3
											0	3.96	11.17	2	1744357-2
	12	11	10	9	8	7	6	5	4	3	2	1			
	PIN POSITION											DIM B	DIM A	POS	ASSEMBLY PART NUMBERS



THIS DRAWING IS A CONTROLLED DOCUMENT. DWG: K. WHITAKER 17DEC2008
 CHK: S. RIDGILL 17DEC2008
 APVD: S. RIDGILL 17DEC2008

DIMENSIONS: mm
 TOLERANCES UNLESS OTHERWISE SPECIFIED:
 0 PLC ±
 1 PLC ±0.10
 2 PLC ±
 3 PLC ±
 4 PLC ±
 ANGLES FINISH

MATERIAL: △

Customer Drawing

NAME: SHROUDED HEADER ASSEMBLY, SINGLE LATCH, 3.96mm PITCH, ECONOMY POWER (EP)
 SIZE: A1
 CAGE CODE: 00779
 DRAWING NO: 1744357
 RESTRICTED TO: J1

SCALE: 6:1 SHEET 1 OF 1 REV J1

X-ON Electronics

Largest Supplier of Electrical and Electronic Components

Click to view similar products for [Headers & Wire Housings](#) category:

Click to view products by [TE Connectivity](#) manufacturer:

Other Similar products are found below :

[95000-104TRLF](#) [10135584-644402LF](#) [DF62W-EP2022PCA](#) [95000-106TRLF](#) [DF62W-2022SCA](#) [DF62W-EP2022PC](#) [2203348](#) [DF62W-2022SC](#) [1084018](#) [1029039](#) [1084017](#) [802-10-012-10-002000](#) [1112640](#) [1112639](#) [000-34000](#) [0009482033](#) [0009507031](#) [57102-S06-03LF](#) [57202-S52-04LF](#) [PCN6-15S-2.5E](#) [0039019024](#) [58102-G61-06LF](#) [582553-1](#) [0009508121](#) [0050291907](#) [018731A](#) [LY20-4P-DT1-P1E-BR](#) [02.125.8002.8](#) [60101931](#) [60598-1 \(Cut Strip\)](#) [M1625-3R/100](#) [61062-3](#) [61082-181009](#) [636-1427](#) [638009-1](#) [641938-9](#) [641991-4](#) [644168-1](#) [647662-1](#) [65039-019ELF](#) [65817-002LF](#) [65817-015LF](#) [65863-015LF](#) [66207-023LF](#) [67016-026LF](#) [67046-001LF](#) [67095-007LF](#) [68002-116](#) [68016-236H](#) [68648-049](#)