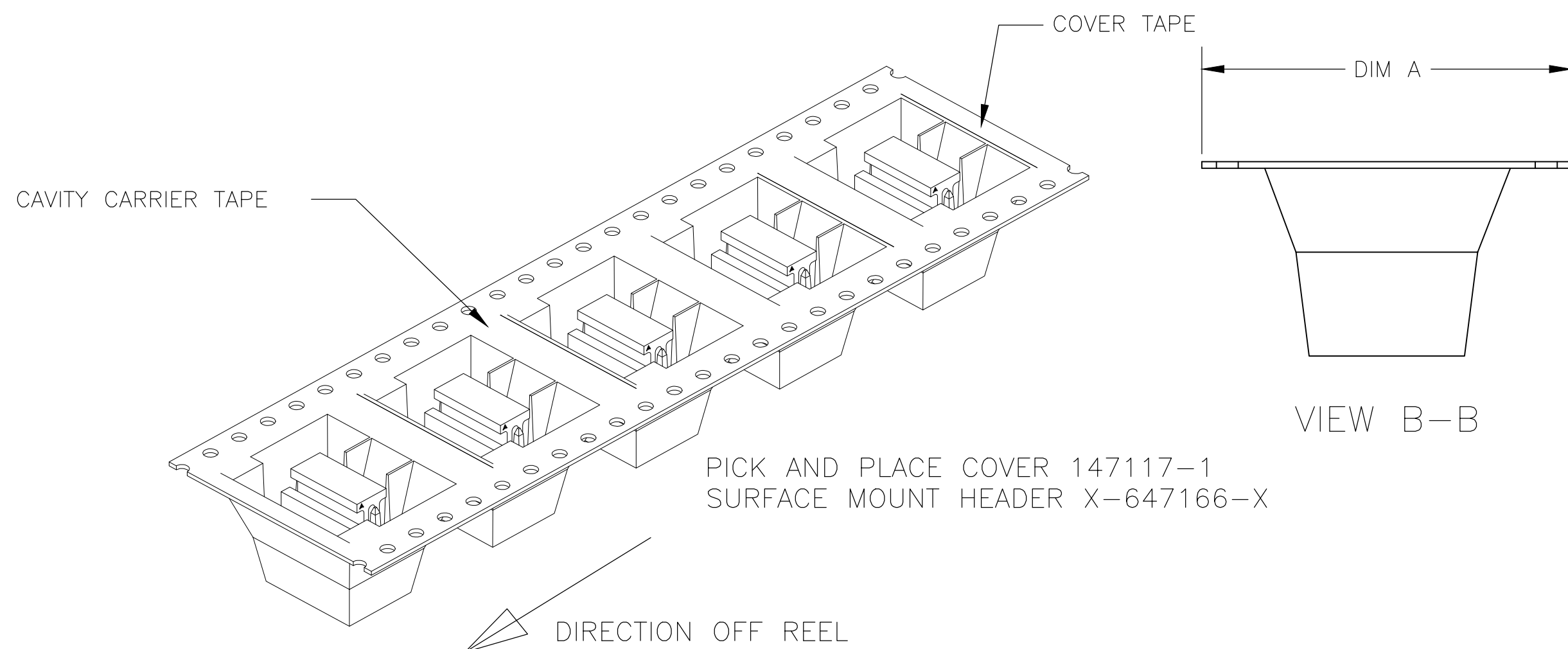
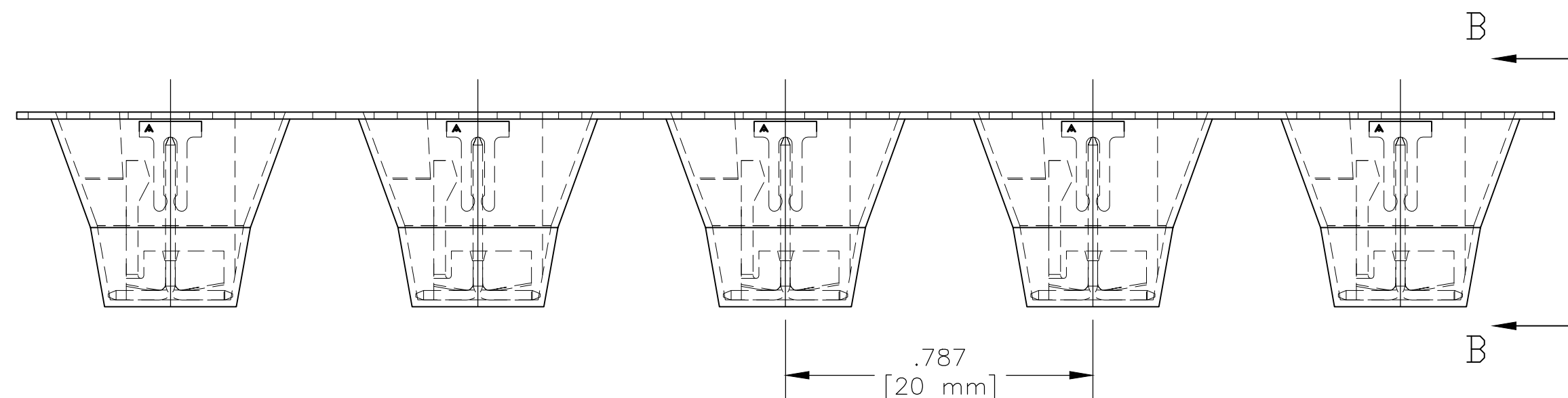
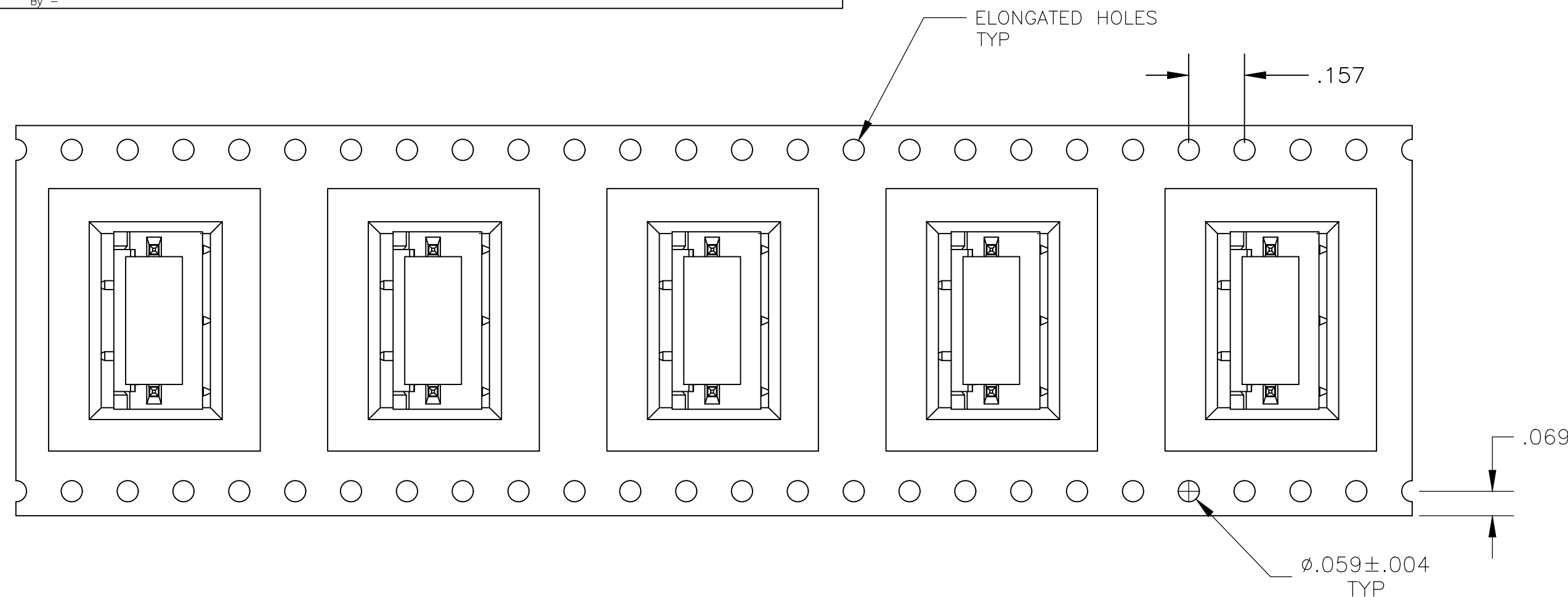


THIS DRAWING IS UNPUBLISHED. RELEASED FOR PUBLICATION
 © COPYRIGHT - By - ALL RIGHTS RESERVED.

REVISIONS				
P	LTR	DESCRIPTION	DATE	APVD
A6		REVISED PER ECR-18-004355	19JUN2018	BDA SG

- 1 MATERIAL:
HOUSING- NYLON, UL94V-0, BLACK
CONTACT- COPPER ALLOY
CAVITY CARRIER TAPE- BLACK CONDUCTIVE PLOYCARBONATE
- 2 FINISH:
CONTACT - TIN PLATE
- 3 POST TO WITHSTAND 13 NEWTONS [3 LBS] MIN AXIAL FORCE IN THIS DIRECTION WITHOUT DISLODGING, BEFORE SOLDERING.
- 4 POSTS SOLDERTAILS MUST COMPLY WITH TE SOLDERABILITY SPEC 109-11-2.
- 5 MEASURED AT $\square-A-$
- 6 APPLIES WHEN HEADER IS HELD STRAIGHT
- 7 COORDINATE DIM APPLIES FROM CENTER OF ACTUAL FEATURE.
- 8 DIMENSION APPLY TO THE COMPONENT SIDE OF BOARD
- 9 MAX TEMP EXPOSURE DURING REFLOW SOLDERING MAY NOT EXCEED 280°C [536°F].
- 10 HEADERS ARE SUPPLIED ON A 330.2mm [13] DIAMETER REEL WITH 225 PARTS PER REEL. THE CAVITY CARRIER TAPE HOLDS 1 PART PER POCKET, ORIENTED AS SHOWN.
- 11 TE LOGO, UL AND CSA TRADEMARKS MARKED AT THIS LOACTION

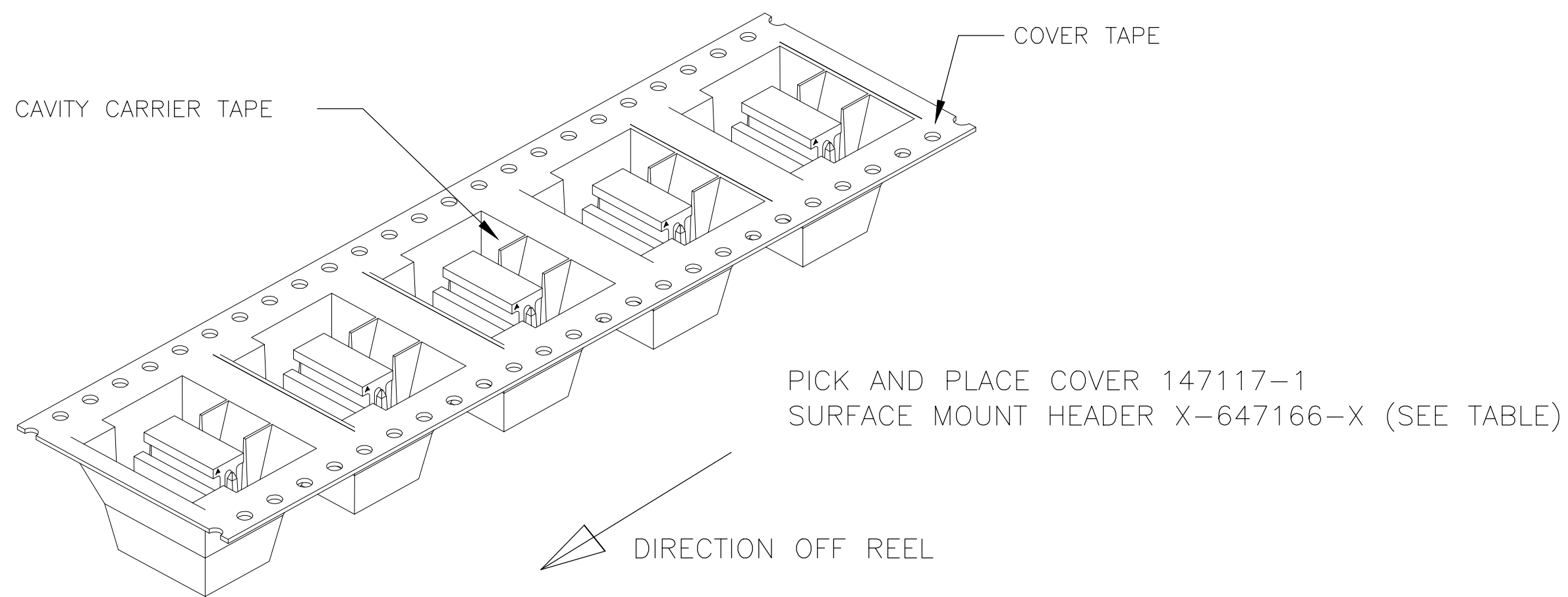
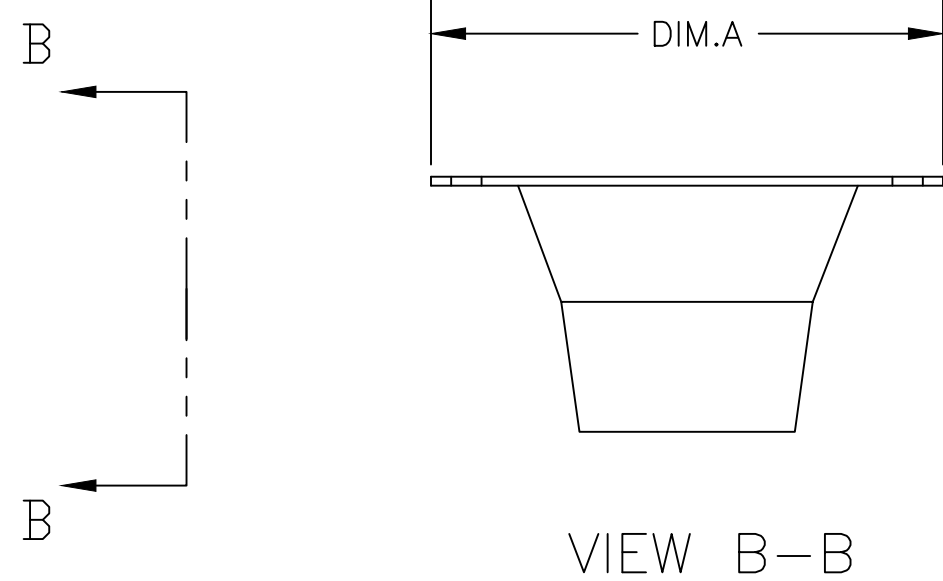
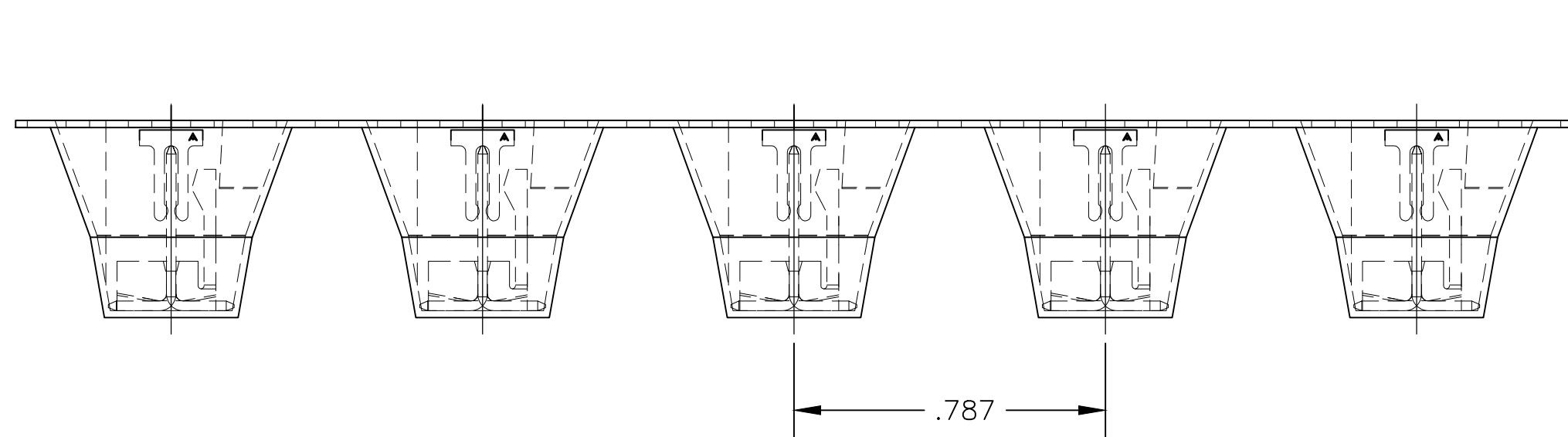
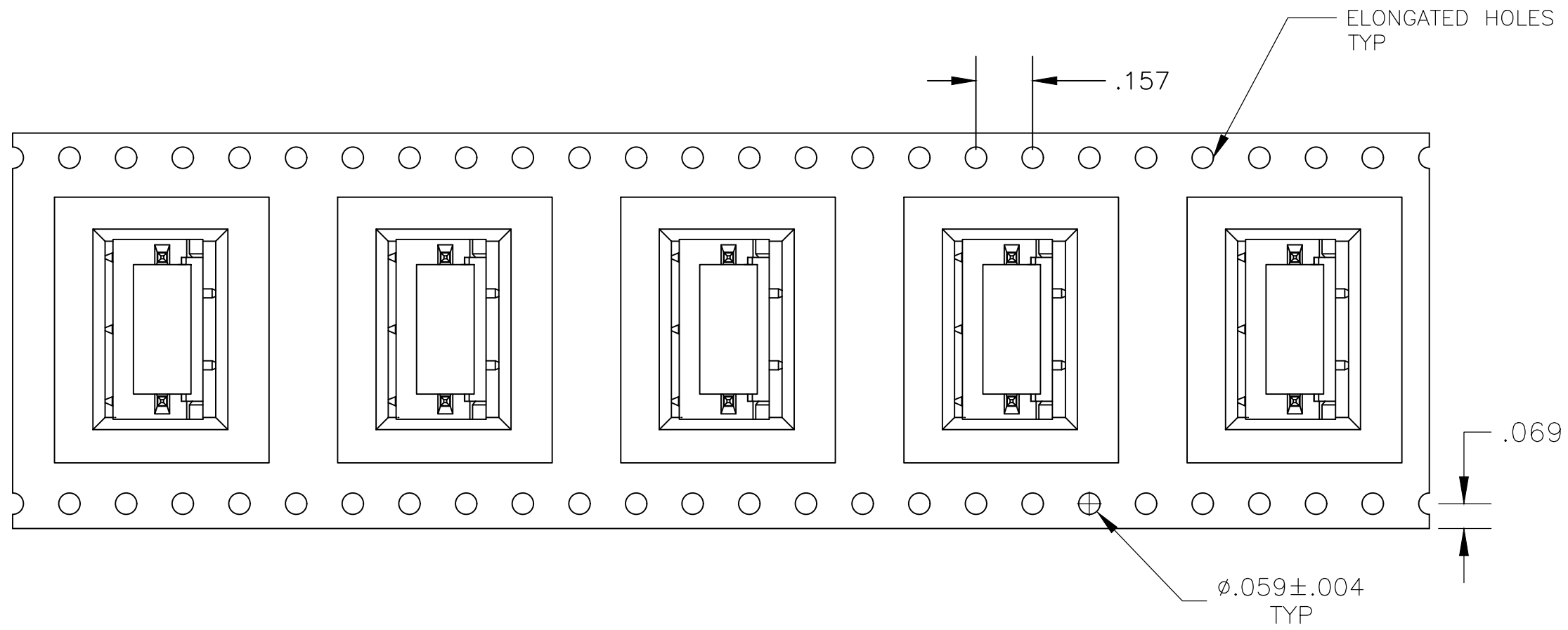


DIM A	PICK AND PLACE COVER	HEADER ASSEMBLY	NO. OF POSITIONS	PART NO
1.73 [44mm]	1 REQ'D	1 REQ'D	12	1-1744382-2
1.73 [44mm]	1 REQ'D	1 REQ'D	8	1744382-8
1.73 [44mm]	1 REQ'D	1 REQ'D	7	1744382-7
1.73 [44mm]	1 REQ'D	1 REQ'D	6	1744382-6
1.26 [32mm]	1 REQ'D	1 REQ'D	5	1744382-5

THIS DRAWING IS A CONTROLLED DOCUMENT.		DWN jr ruth 30MAR11	TE TE Connectivity	
DIMENSIONS: INCHES		CHK SAM MACE 30MAR11		
TOLERANCES UNLESS OTHERWISE SPECIFIED:		APVD SAM MACE 30MAR11	NAME MTA100 HEADER ASSY, SURFACE MOUNT, FRICTION LOCK, .025 SQ. POST, TAPE W/CAP	
0 PLC ± -	1 PLC ± -	PRODUCT SPEC 108-1050	SIZE A2	CAGE CODE 00779
2 PLC ± -	3 PLC ± .015	APPLICATION SPEC 114-1019	DRAWING NO C=1744382	RESTRICTED TO -
4 PLC ± -	ANGLES ± 1°	WEIGHT -	SCALE 3:1	SHEET 1 of 4
MATERIAL -	FINISH -	CUSTOMER DRAWING	REV A6	

THIS DRAWING IS UNPUBLISHED. RELEASED FOR PUBLICATION
 © COPYRIGHT - By - ALL RIGHTS RESERVED.

REVISIONS				
P	LTR	DESCRIPTION	DATE	APVD
-	-	SEE SHEET 1	-	-

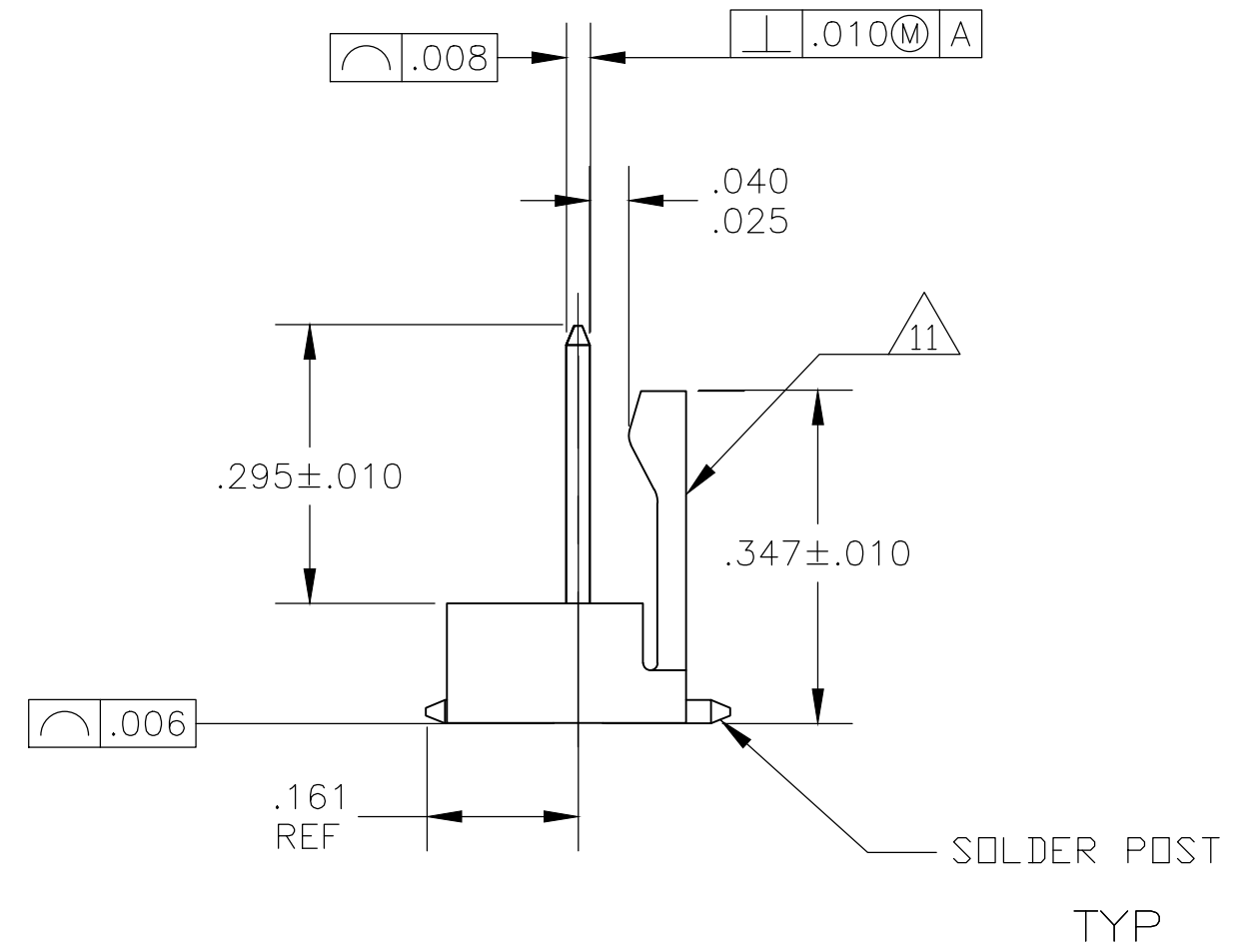
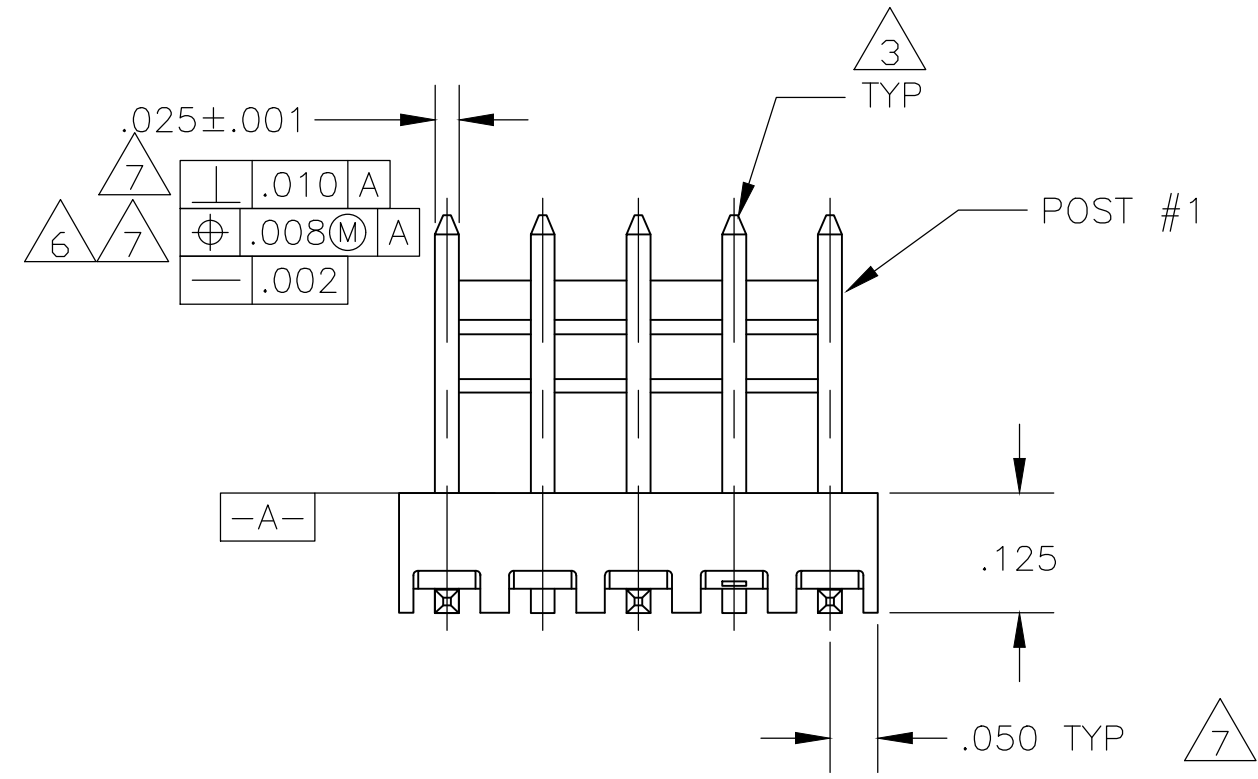
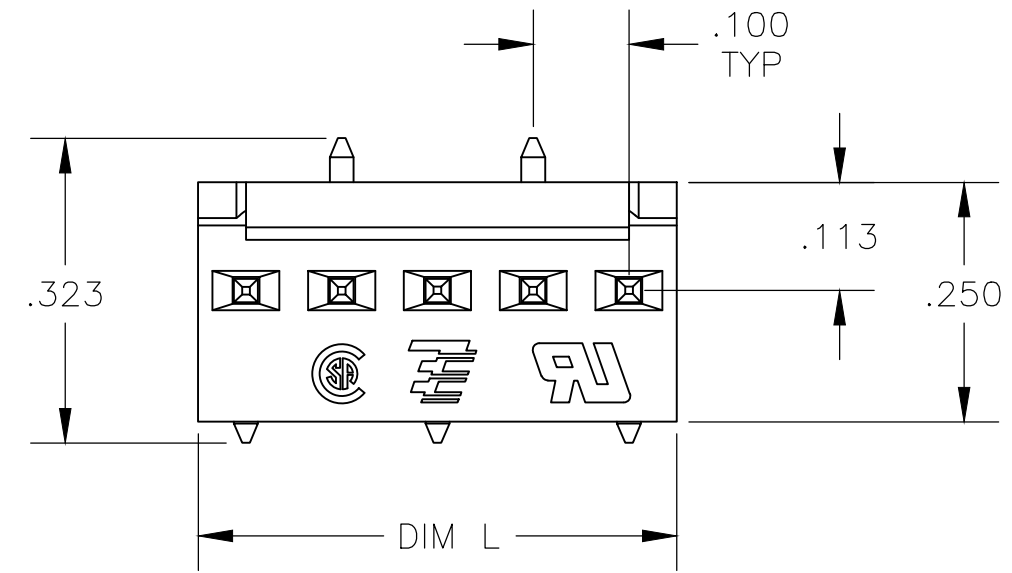


1.26 [32mm]	1 REQ'D	1 REQ'D	4	1744382-4
DIM A	PICK AND PLACE COVER	HEADER ASSEMBLY	NO. OF POSITIONS	PART NO

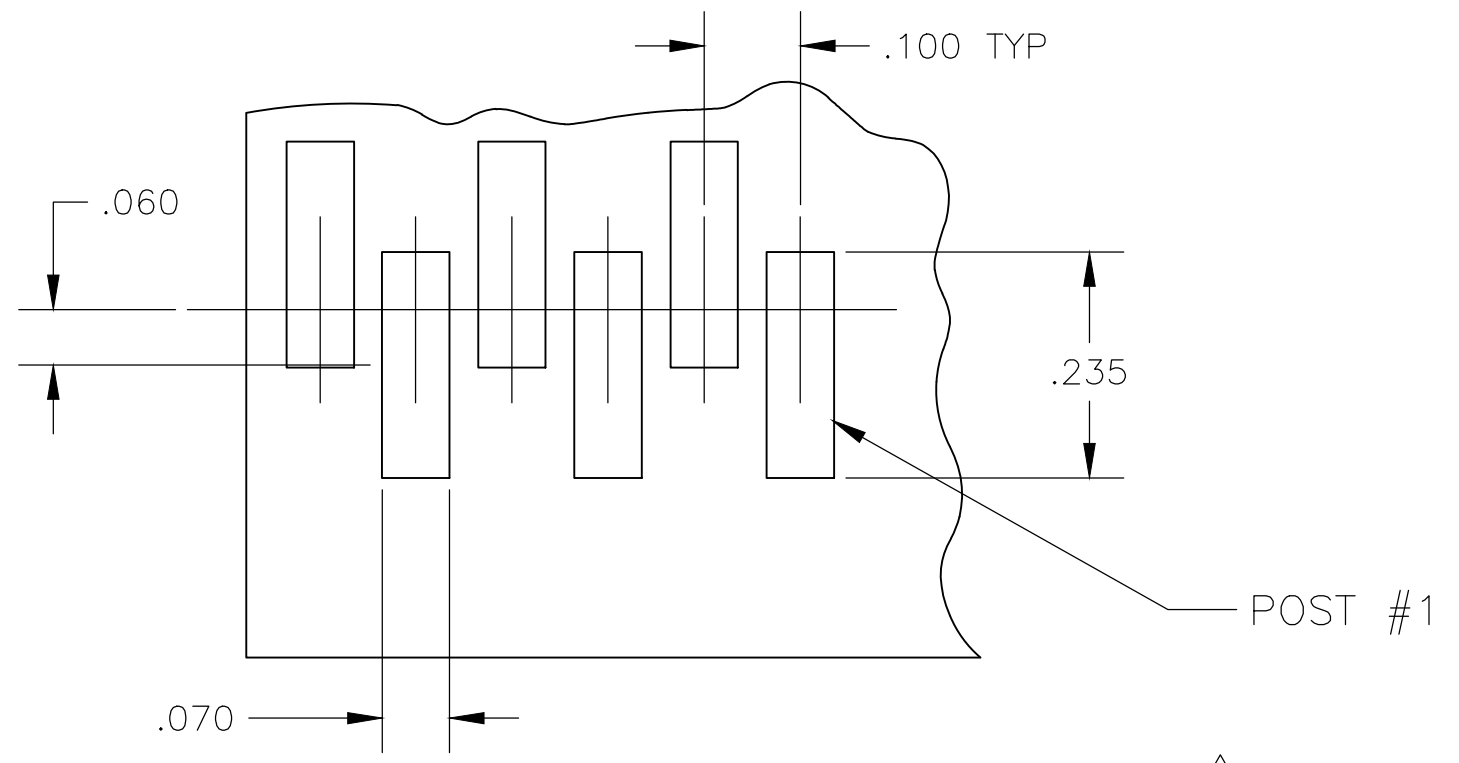
THIS DRAWING IS A CONTROLLED DOCUMENT.		DWN jr ruth 30MAR11		
DIMENSIONS: INCHES		CHK SAM MACE 30MAR11		
TOLERANCES UNLESS OTHERWISE SPECIFIED:		APVD SAM MACE 30MAR11		
0 PLC ± - 1 PLC ± - 2 PLC ± - 3 PLC ± .015 4 PLC ± - ANGLES ± 1°		NAME MTA100 HEADER ASSY, SURFACE MOUNT, FRICTION LOCK, .025 SQ. POST, TAPE W/CAP		
MATERIAL		PRODUCT SPEC 108-1050	SIZE A2	CAGE CODE 00779
FINISH		APPLICATION SPEC 114-1019	DRAWING NO C-1744382	RESTRICTED TO -
		WEIGHT	SCALE 3:1	SHEET 2 of 4
		CUSTOMER DRAWING	REV A6	

THIS DRAWING IS UNPUBLISHED. RELEASED FOR PUBLICATION
 © COPYRIGHT - By - ALL RIGHTS RESERVED.

REVISIONS				
P	LTR	DESCRIPTION	DATE	APVD
-	-	SEE SHEET 1	-	-



MTA-100 HEADER SHOWN



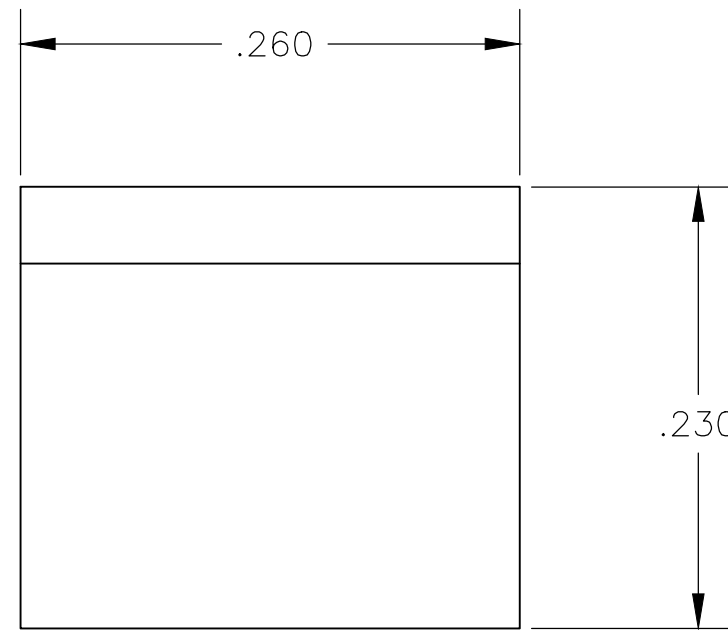
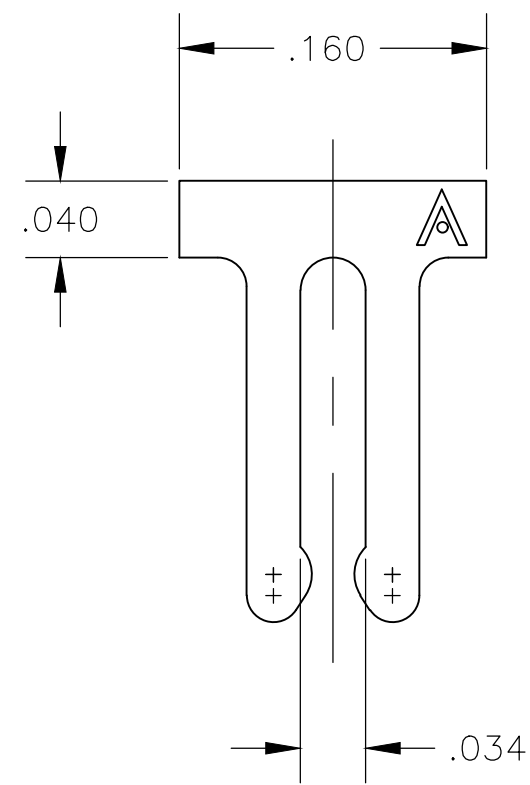
RECOMMENDED P.C. BOARD LAYOUT FOR USE WITH .010 THICK STENCIL

DIM L	NO. OF POSITIONS	PART NO
1.200 [30.48mm]	12	1-1744382-2
.800 [20.32mm]	8	1744382-8
.700 [17.78mm]	7	1744382-7
.600 [15.24mm]	6	1744382-6
.500 [12.70mm]	5	1744382-5
.400 [10.16mm]	4	1744382-4

THIS DRAWING IS A CONTROLLED DOCUMENT.		DWN jr ruth 30MAR11	TE Connectivity	
DIMENSIONS: INCHES		CHK SAM MACE 30MAR11	NAME MTA100 HEADER ASSY, SURFACE MOUNT, FRICTION LOCK, .025 SQ. POST, TAPE W/CAP	
TOLERANCES UNLESS OTHERWISE SPECIFIED: 0 PLC ± - 1 PLC ± - 2 PLC ± - 3 PLC ± .015 4 PLC ± - ANGLES ± 1°		APVD SAM MACE 30MAR11	PRODUCT SPEC 108-1050	
MATERIAL		APPLICATION SPEC 114-1019	SIZE A2	RESTRICTED TO
FINISH		WEIGHT	CAGE CODE 00779	DRAWING NO 1744382
		CUSTOMER DRAWING	SCALE 3:1	SHEET 3 of 4
			REV A6	

THIS DRAWING IS UNPUBLISHED. RELEASED FOR PUBLICATION
 © COPYRIGHT - By - ALL RIGHTS RESERVED.

REVISIONS					
P	LTR	DESCRIPTION	DATE	DWN	APVD
-	-	SEE SHEET 1	-	-	-



CAP FOR HEADER

THIS DRAWING IS A CONTROLLED DOCUMENT.		DWN jr ruth 30MAR11	TE Connectivity	
DIMENSIONS: INCHES		CHK SAM MACE 30MAR11		
TOLERANCES UNLESS OTHERWISE SPECIFIED:		APVD SAM MACE 30MAR11	NAME MTA100 HEADER ASSY, SURFACE MOUNT, FRICTION LOCK, .025 SQ. POST, TAPE W/CAP	
0 PLC ± - 1 PLC ± - 2 PLC ± - 3 PLC ± .005 4 PLC ± - ANGLES ± 1°		PRODUCT SPEC 108-1050	SIZE A2	
MATERIAL		APPLICATION SPEC 114-1019	CAGE CODE 00779	DRAWING NO C=1744382
FINISH		WEIGHT	RESTRICTED TO	
		CUSTOMER DRAWING		SCALE 3:1 SHEET 4 OF 4 REV A6

X-ON Electronics

Largest Supplier of Electrical and Electronic Components

Click to view similar products for [Headers & Wire Housings](#) category:

Click to view products by [TE CONNECTIVITY](#) manufacturer:

Other Similar products are found below :

[892-18-020-10-001101](#) [58102-G61-06LF](#) [582553-1](#) [0009485154](#) [009176003701906](#) [0050291907](#) [LY20-4P-DT1-P1E-BR](#) [02.125.8002.8](#)
[609-3404](#) [61062-3](#) [61082-181009](#) [622-3653LF](#) [63453-116](#) [636-1030](#) [636-1427](#) [636-3427](#) [636-4007](#) [641938-9](#) [641991-4](#) [644827-2](#) [65817-](#)
[010LF](#) [65817-015LF](#) [65863-015LF](#) [66207-023LF](#) [67095-007LF](#) [67601157](#) [68645-018](#) [68648-049](#) [70.362.1628.0](#) [70-4210](#) [70-4226B](#) [70-](#)
[4853B](#) [707-5020](#) [707-5028](#) [71.350.2428.0](#) [71918-208LF](#) [71961-016LF](#) [733-134](#) [733-162](#) [754199-000](#) [760-3052](#) [787-8014-00](#) [79531-3000](#)
[FCN-360C032-B](#) [FCN-367T-T012/H](#) [FCN-723D010/2](#) [80.063.4001.1](#) [800-90-001-10-001000](#) [800-90-010-10-002000](#) [801-43-002-10-013000](#)