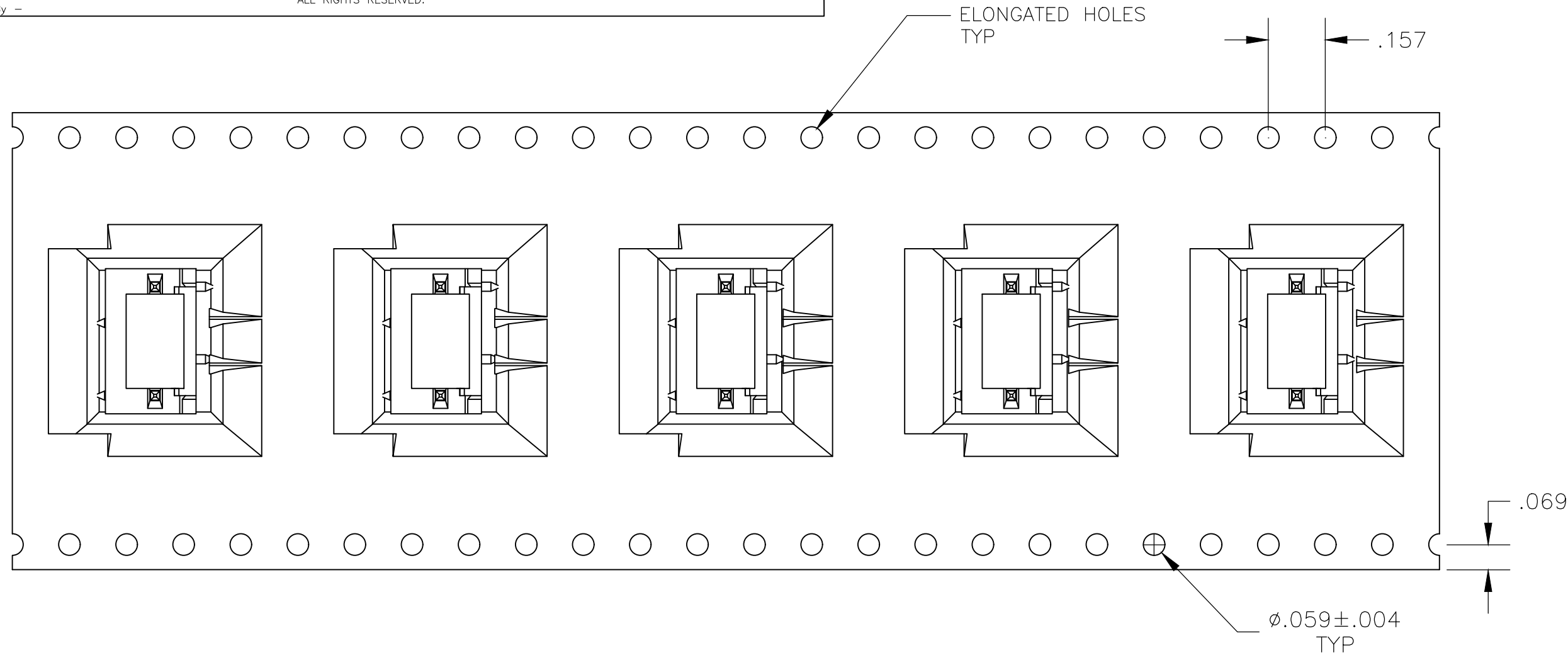
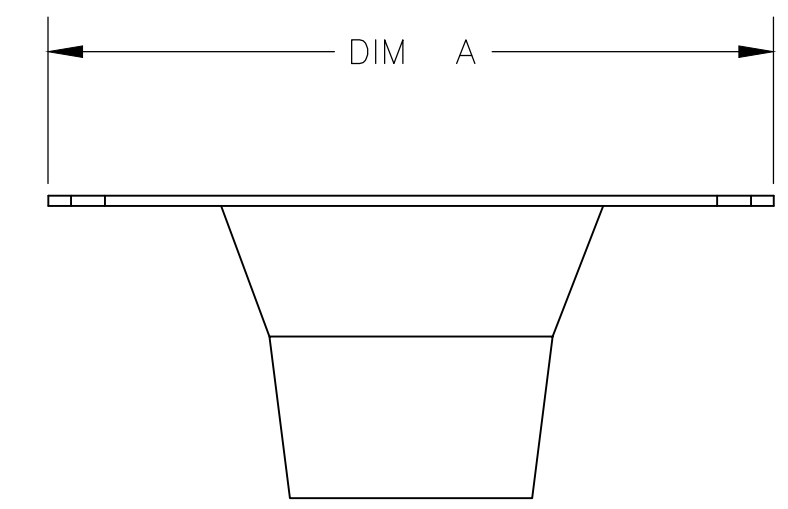
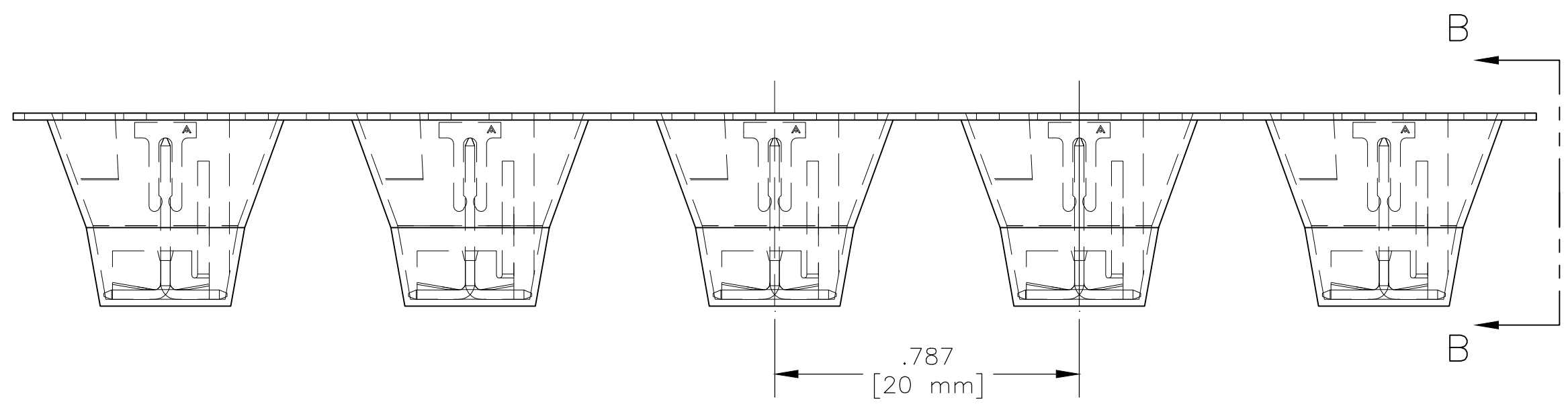


THIS DRAWING IS UNPUBLISHED. RELEASED FOR PUBLICATION
 © COPYRIGHT - By - ALL RIGHTS RESERVED.

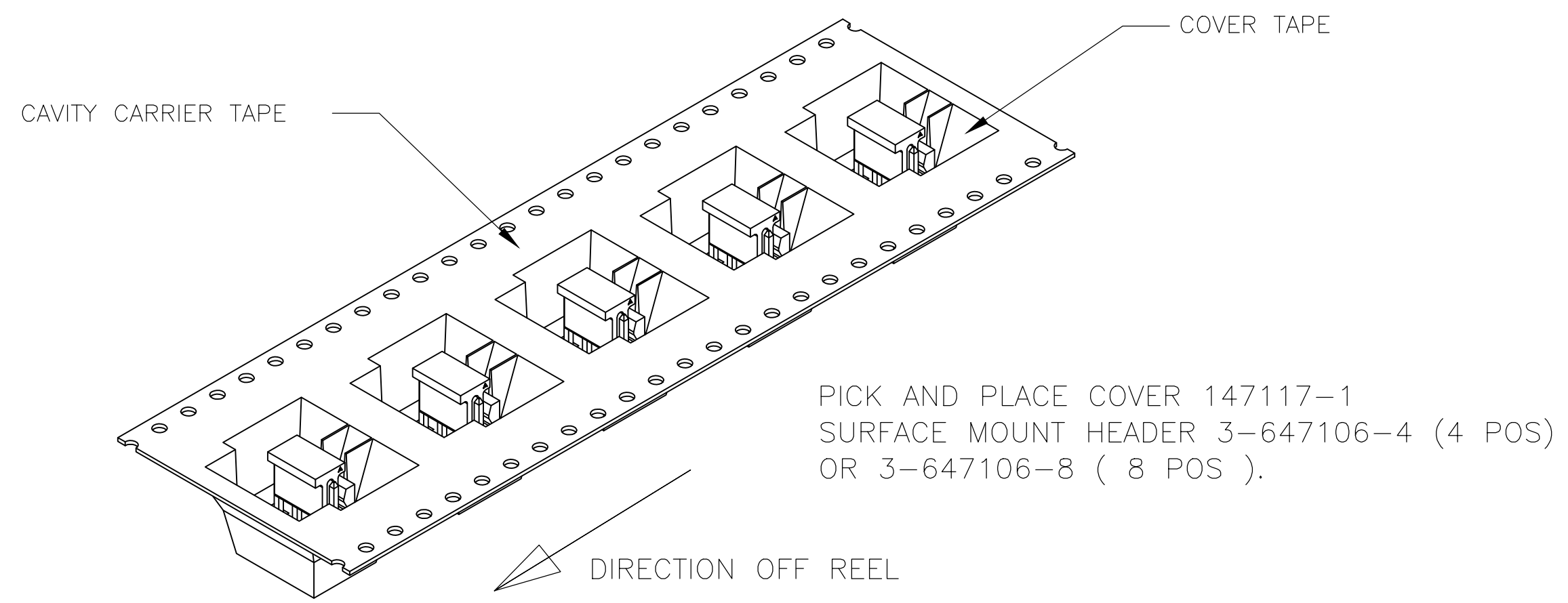
REVISIONS				
P	LTR	DESCRIPTION	DATE	APVD
	L1	REVISED PER ECR-18-004355	19JUN2018	BDA SG



- 1 MATERIAL:
HOUSING- NYLON, UL94V-0, BLACK
CONTACT- COPPER ALLOY
CAVITY CARRIER TAPE- BLACK CONDUCTIVE PLOYCARBONATE
- 2 FINISH:
CONTACT - TIN PLATE
- 3 POST TO WITHSTAND 13 NEWTONS [3 LBS] MIN AXIAL FORCE IN THIS DIRECTION WITHOUT DISLODGING, BEFORE SOLDERING.
- 4 POSTS SOLDERTAILS MUST COMPLY WITH TE SOLDERABILITY SPEC 109-11-2.
- 5 MEASURED AT $-A-$
- 6 APPLIES WHEN HEADER IS HELD STRAIGHT
- 7 COORDINATE DIM APPLIES FROM CENTER OF ACTUAL FEATURE.
- 8 DIMENSION APPLY TO THE COMPONENT SIDE OF BOARD
- 9 MAX TEMP EXPOSURE DURING REFLOW SOLDERING MAY NOT EXCEED 280°C [536°F].
- 10 HEADERS ARE SUPPLIED ON A 330.2mm [13] DIAMETER REEL WITH 225 PARTS PER REEL. THE CAVITY CARRIER TAPE HOLDS 1 PART PER POCKET, ORIENTED AS SHOWN.
- 11 TE LOGO, UL AND CSA TRADEMARKS MARKED AT THIS LOACTION



VIEW B-B



1.26 [32MM]	1 REQ'D	1 REQ'D	8	1744394-8
1.26 [32MM]	1 REQ'D	1 REQ'D	4	1744394-4
1.26 [32MM]	1 REQ'D	1 REQ'D	3	1744394-3
1.26 [32MM]	1 REQ'D	1 REQ'D	2	1744394-2
DIM A	PICK AND PLACE COVER	HEADER ASSEMBLY	NO. OF POSITIONS	PART NO

THIS DRAWING IS A CONTROLLED DOCUMENT.

DIMENSIONS: INCHES	TOLERANCES UNLESS OTHERWISE SPECIFIED:	DWN jr ruth 09MAR11	09MAR11
	0 PLC ± -	CHK SAM MACE 09MAR11	
	1 PLC ± -	APVD SAM MACE 09MAR11	
	2 PLC ± -	PRODUCT SPEC	
	3 PLC ± .015	APPLICATION SPEC	
	4 PLC ± -		
	ANGLES ± 1°		
MATERIAL	FINISH	WEIGHT	SCALE 3:1
			SHEET 1 OF 3
CUSTOMER DRAWING		SIZE A2	REV L1

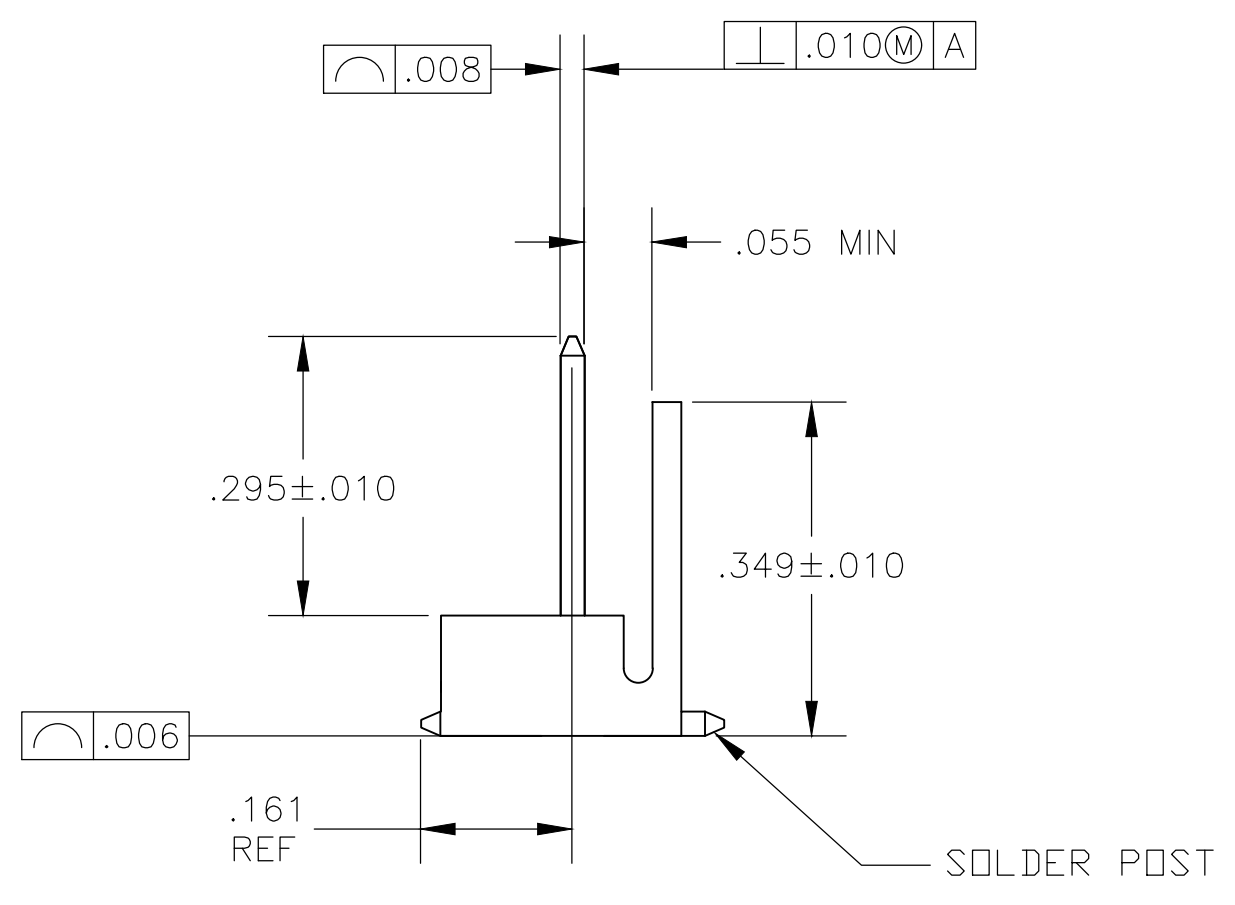
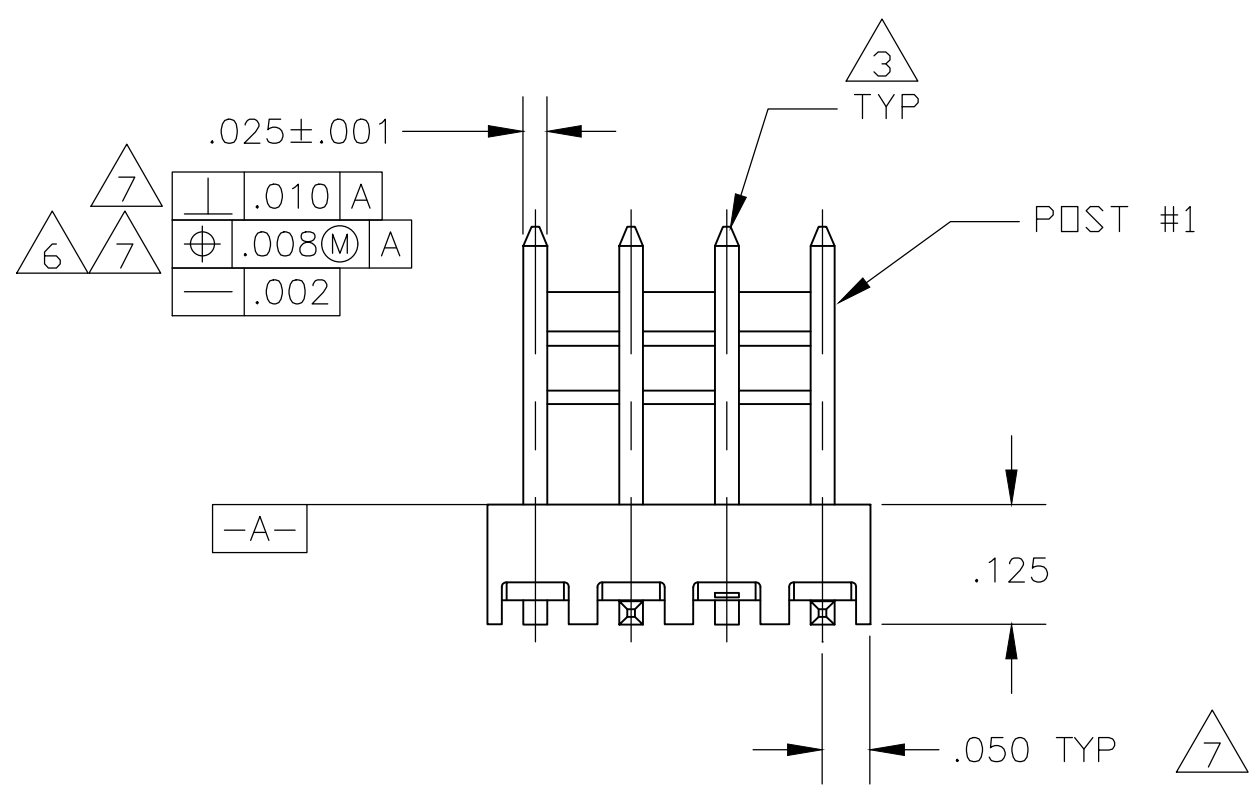
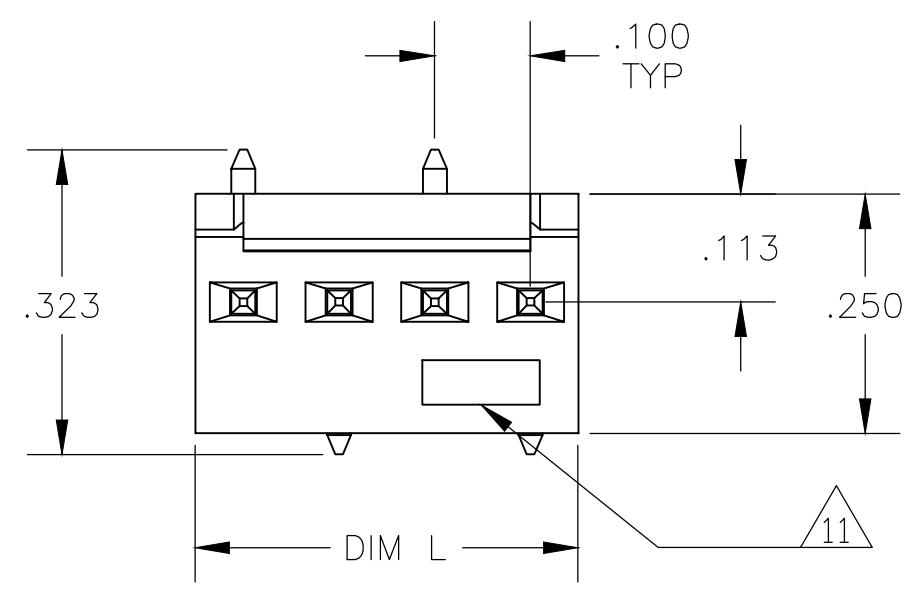
TE Connectivity

NAME MTA-100 HDR ASSY, SURFACE MNT, POLARIZED, .025 SQ. POST, TIN PLTD TAPE LDD W/CAP

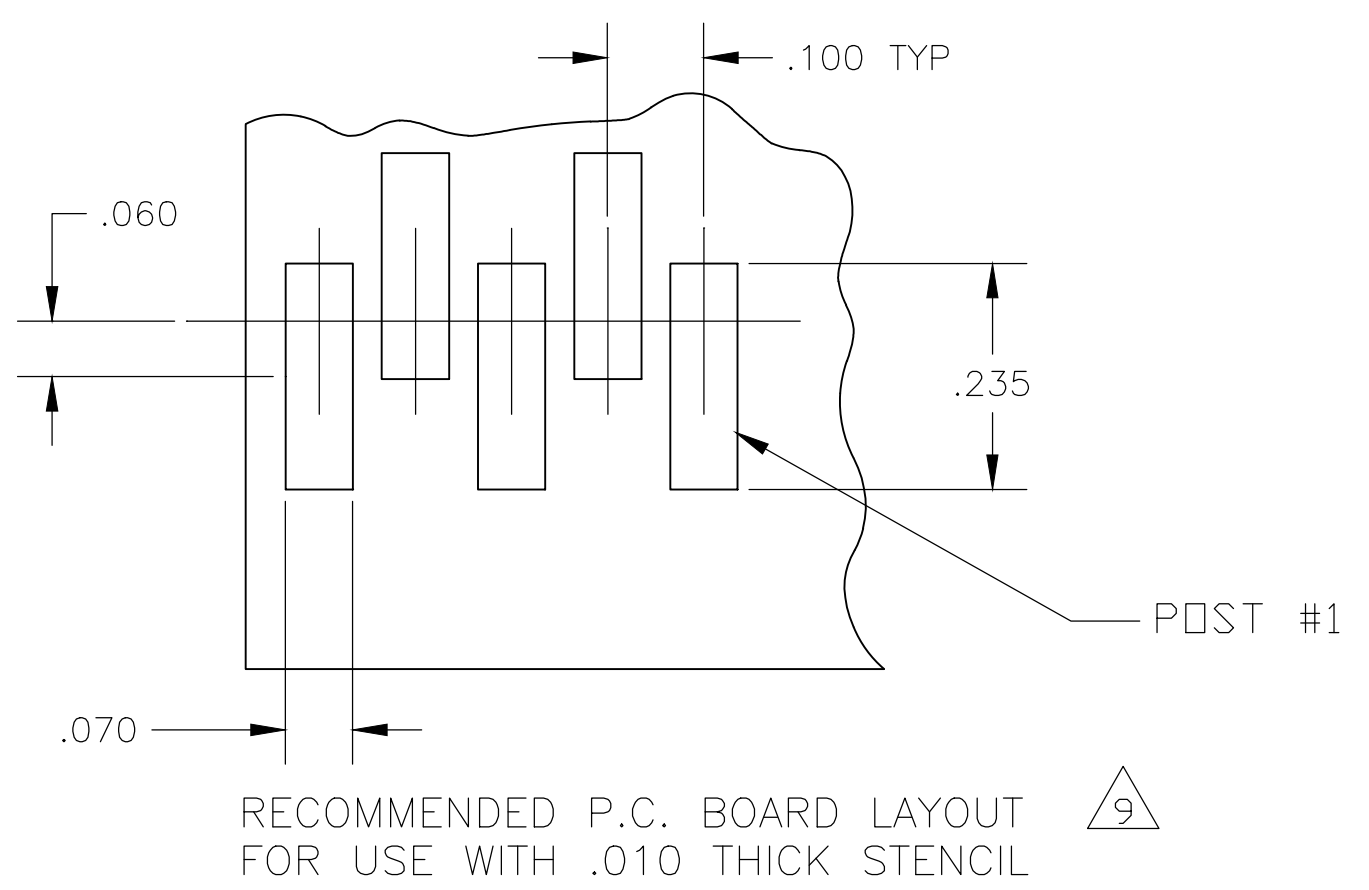
DRAWING NO C=1744394

THIS DRAWING IS UNPUBLISHED. RELEASED FOR PUBLICATION
 © COPYRIGHT - M ALL RIGHTS RESERVED.

REVISIONS				
P	LTR	DESCRIPTION	DATE	APVD
-	-	SEE SHEET 1	-	-



MTA-100 HEADER SHOWN

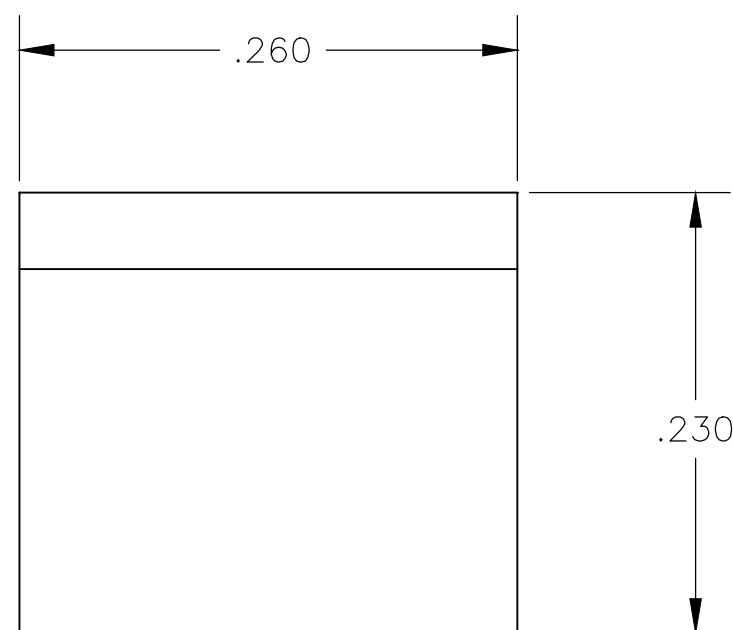
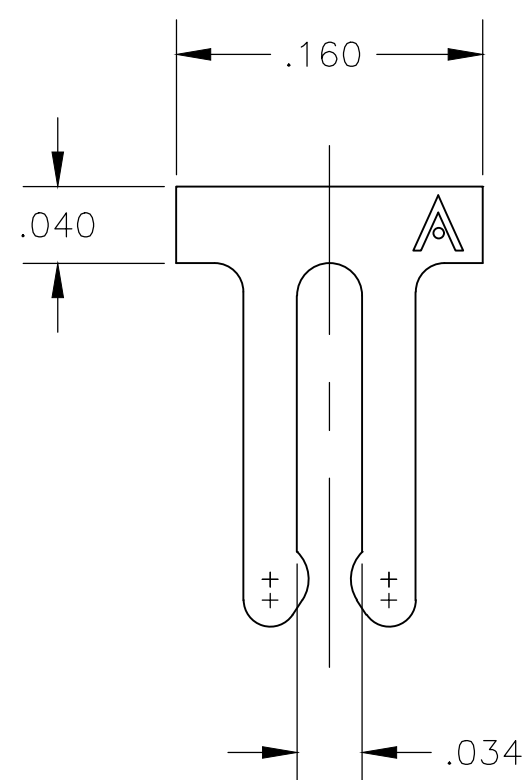


.800	8.	1744394-8
.400	4.	1744394-4
.300	3.	1744394-3
.200	2.	1744394-2
DIM L	NO. OF POS.	PART NO.


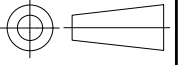
THIS DRAWING IS A CONTROLLED DOCUMENT.		DWN	jr_ruth	09MAR11
DIMENSIONS: INCHES		CHK	SAM MACE	09MAR11
TOLERANCES UNLESS OTHERWISE SPECIFIED:		APVD	SAM MACE	09MAR11
0 PLC	± -	PRODUCT SPEC	NAME	
1 PLC	± -	APPLICATION SPEC	MTA-100 HDR ASSY,SURFACE MNT,POLARIZED, .025 SQ. POST, TIN PLTD, TAPE LDD W/CAP	
2 PLC	± -	WEIGHT	SIZE	CAGE CODE
3 PLC	± .015	SCALE	A2	00779
4 PLC	± -	CUSTOMER DRAWING	SCALE	5:1
ANGLES	± 1°	RESTRICTED TO	SHEET	2 of 3
FINISH	-	REV	L1	

THIS DRAWING IS UNPUBLISHED. RELEASED FOR PUBLICATION
 © COPYRIGHT - By - ALL RIGHTS RESERVED.

REVISIONS				
P	LTR	DESCRIPTION	DATE	APVD
-	-	SEE SHEET 1	-	-



CAP FOR HEADER

THIS DRAWING IS A CONTROLLED DOCUMENT.		DWN jr ruth 09MAR11	 TE Connectivity	
DIMENSIONS: INCHES		CHK SAM MACE 09MAR11		
		APVD SAM MACE 09MAR11	NAME MTA-100 HEADER ASSY, SURFACE MOUNT, POLARIZED, .025 SQ. POST, TIN PLATED, TAPE LOADED W/CAP	
0 PLC ± - 1 PLC ± - 2 PLC ± - 3 PLC ± .015 4 PLC ± - ANGLES ± 1°		PRODUCT SPEC -	APPLICATION SPEC -	RESTRICTED TO -
MATERIAL -	FINISH -	WEIGHT -	SIZE A2	CAGE CODE 00779
		DRAWING NO 1744394		
		CUSTOMER DRAWING		SCALE 10:1 SHEET 3 of 3 REV L1

X-ON Electronics

Largest Supplier of Electrical and Electronic Components

Click to view similar products for te connectivity manufacturer:

Other Similar products are found below :

[570416-000](#) [CLTEQ-M81CE-SSRELAY-4-20V](#) [4-1633138-8](#) [D38999/24FJ4AN](#) [4-1195131-0](#) [650069-000](#) [SMD100-2](#) [2EDL4CM](#)
[DTS20W19-11PD-3028](#) [DTS20W19-11PD-3028-LC](#) [DTS20W19-32SD-3028-LC](#) [DTS20W19-32SD-3028](#) [NC6-P104-06](#) [TXR64AB90-](#)
[3616AI](#) [DTS26F21-41HE](#) [DTS26F21-41AE](#) [DTS26F21-41PE-LC](#) [DTS26F21-11SE-3028-LC](#) [D38999/24WF32JE](#) [D38999/24WF32SE-LC](#)
[DTS24W19-32HE](#) [D38999/20JB35HA](#) [D38999/24WJ20PA](#) [164-8033-08](#) [D38999/24FF32JE](#) [D38999/24FF32SE-LC](#) [D38999/24WF32JB](#)
[D38999/24WG11HA](#) [D38999/24WG11HN](#) [MS27467T21F11H](#) [DJT16E21-11HA](#) [DTS24F19-32HE](#) [1-532955-3](#) [DTS20W19-32SA-3028-LC](#)
[DTS24F19-11SC-3028-LC](#) [DTS24F19-11SC-3028](#) [DJT14E13-98HB](#) [D38999/20WC8BB](#) [1-330599-5](#) [DTS24F21-41HN-LC](#) [DTS24F21-](#)
[41HN](#) [DTS24F21-41AN](#) [DTS24F21-39HN](#) [DTS24F21-41PN-LC](#) [AFD50-10-6SN-1A-LC](#) [DBAS 70-7-0 SN 090-1A SCC](#) [DJT10F17-26HC](#)
[DTS24W19-32HB](#) [ACT20JE99HA](#) [DJT10E17-26HC](#)