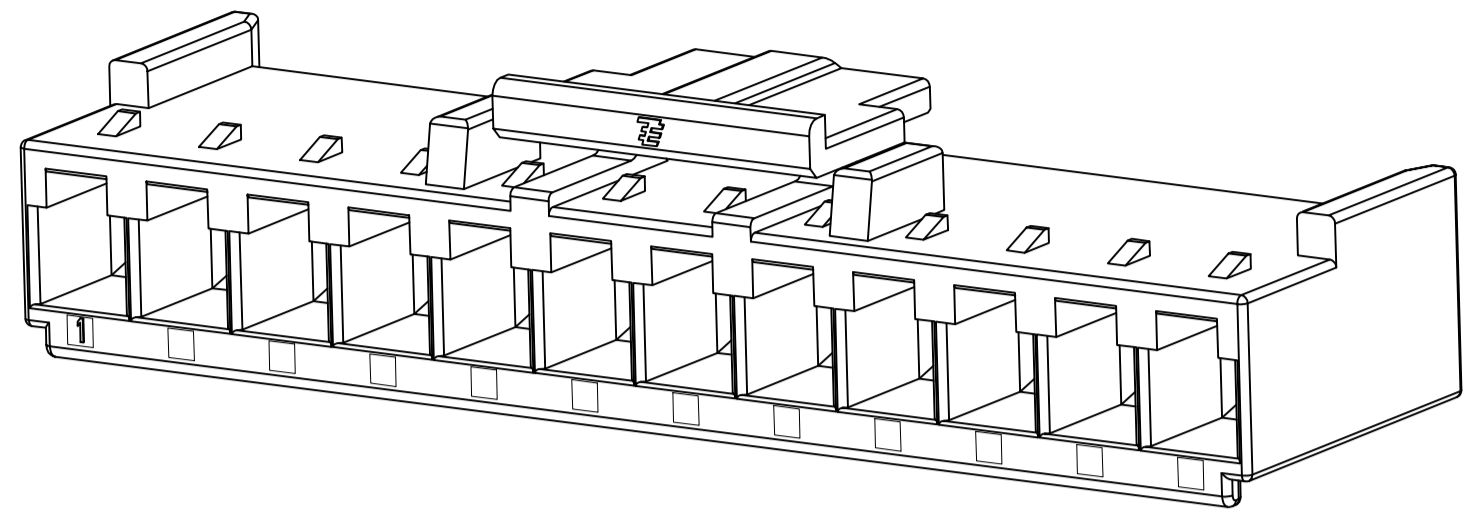
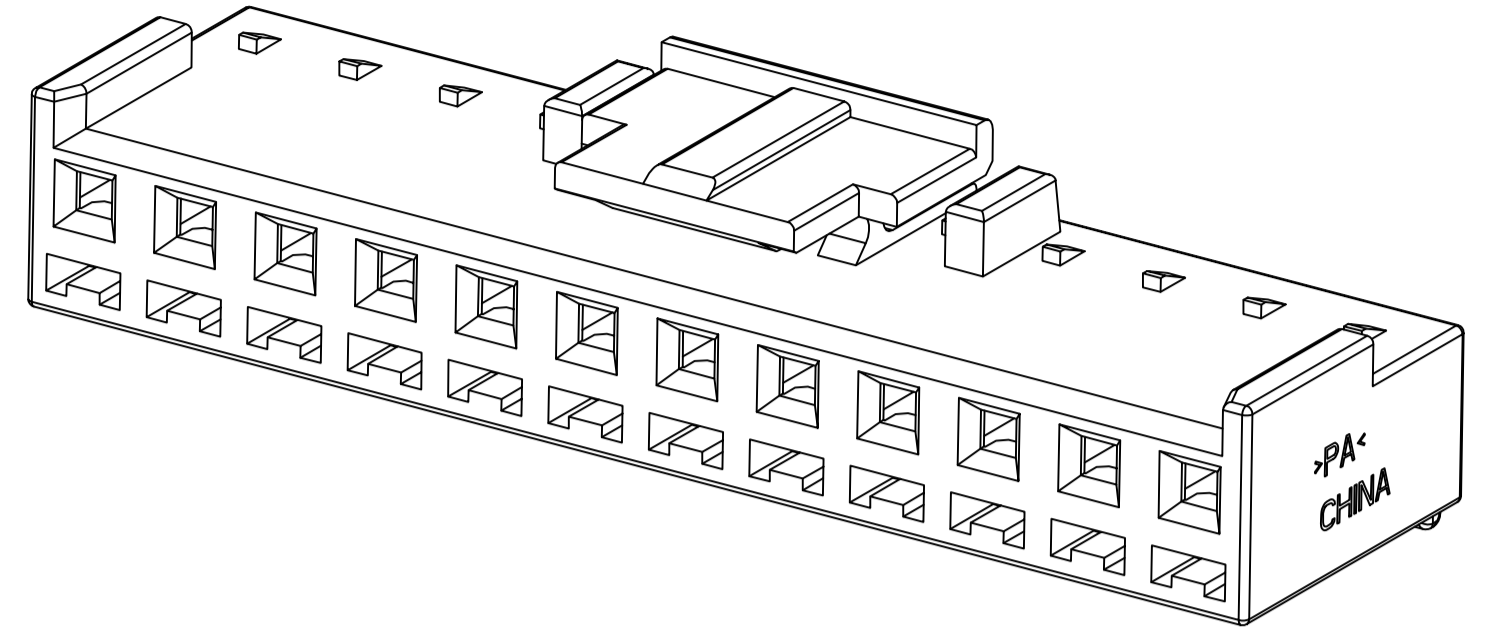


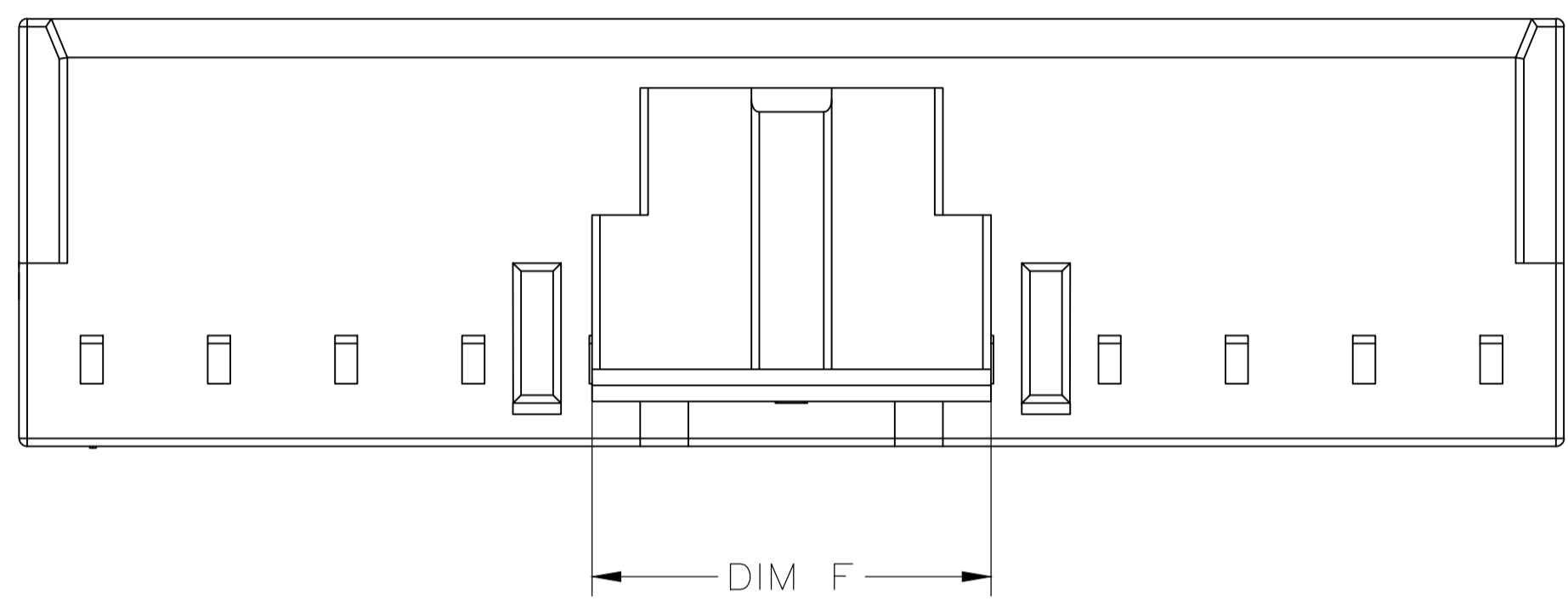
REVISIONS					
P	LTR	DESCRIPTION	DATE	DMN	APVD
E		REVISED PER ECR-20-100500	13OCT2020	S.K	D.Z



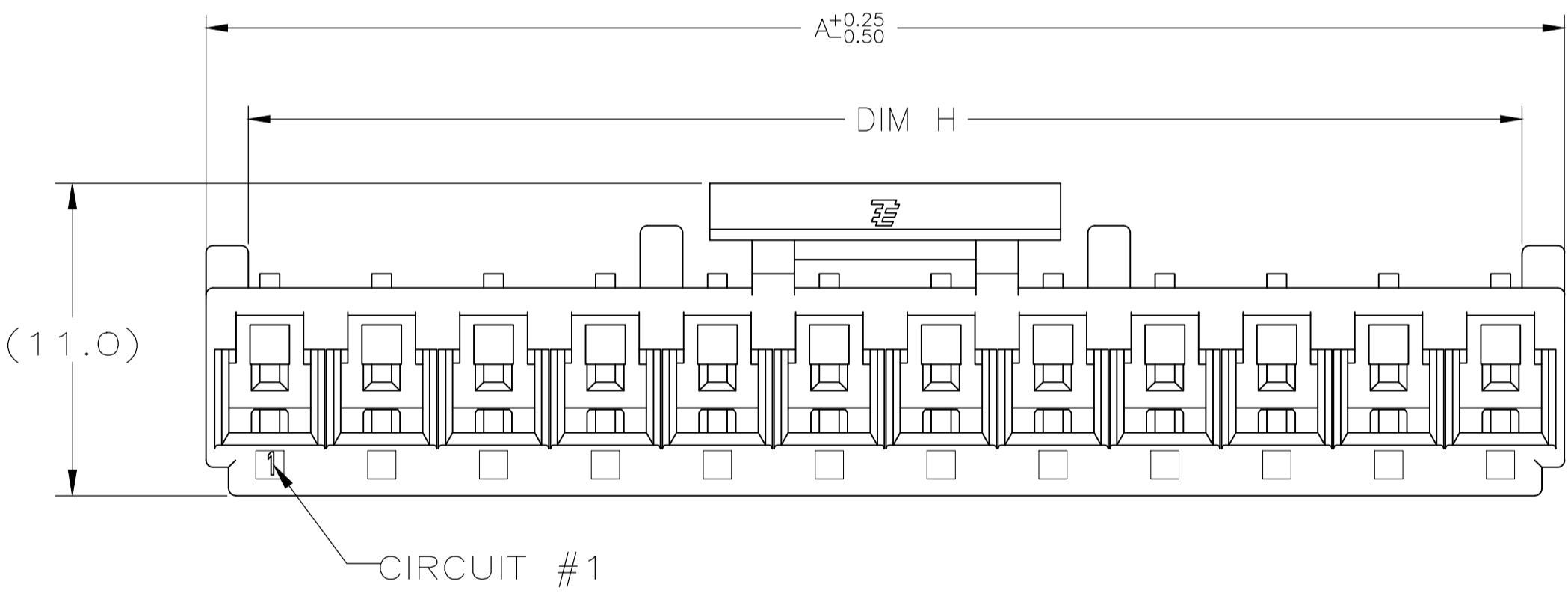
ISOMETRIC REAR VIEW
(12 POSITION SHOWN)



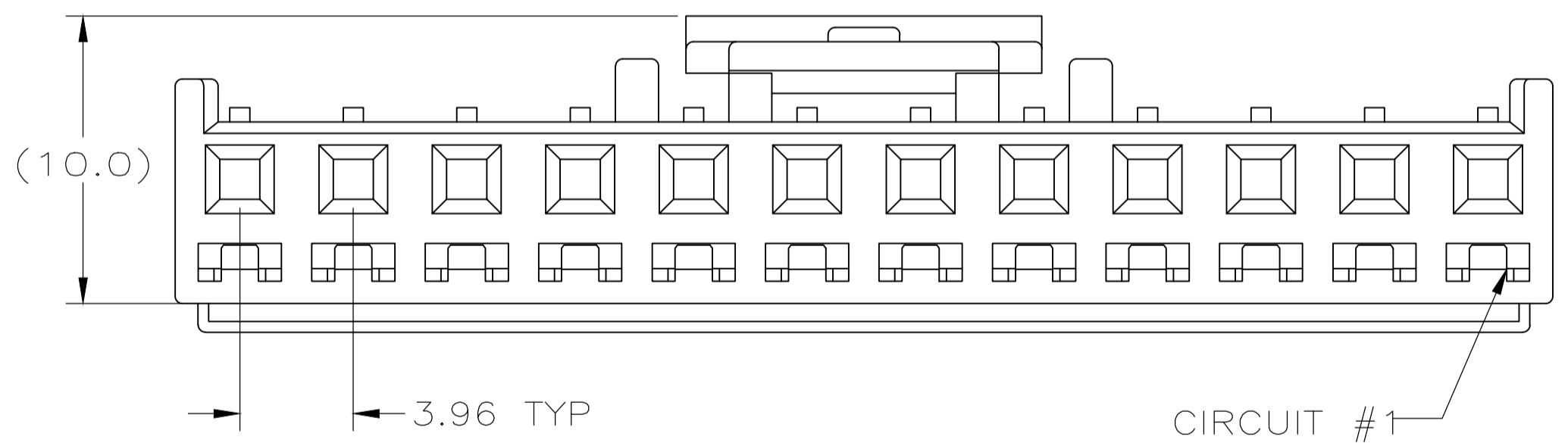
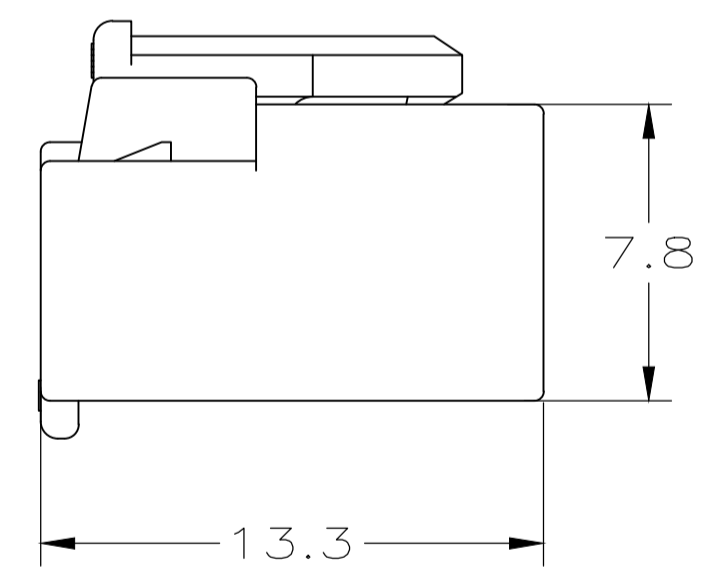
ISOMETRIC MATING FACE VIEW
(12 POSITION SHOWN)



DIM F



CIRCUIT #1



CIRCUIT #1

- 1 MATERIAL: NYLON, UL94V-0 FLAME RETARDENT, COLOR: NATURAL
- 2 HOUSINGS TO USE "BREAKWAY RETAINER", P/N:1-1744416-2 (12 POSN), 12 POSITION PART TO BE SEPARATED AT APPROPRIATE NOTCHES TO FIT 2 POSITION THRU 11 POSITION HOUSINGS.
- 3 DIMENSIONS SHOWN REPRESENT PRODUCT IN DRY, AS MOLDED, CONDITION. ADDITIONAL 2% GROWTH DUE TO SUBSEQUENT MOISTURE ABSORPTION MAY OCCUR AND SHOULD BE ACCOUNTED FOR.
- 4 COMPLY WITH GLOW WIRE REQUIREMENTS FOR PARTS OF NON-METALLIC MATERIAL SUPPORTING A CURRENT-CARRYING CONNECTION DETAILED IN IEC 60335-1, SECTION 30(GWT)

45.68	12.42	48.08	12	1-1744416-2
41.72	8.46	44.12	11	1-1744416-1
37.76	12.42	40.16	10	1-1744416-0
33.80	8.46	36.20	9	1744416-9
29.84	12.42	32.24	8	1744416-8
25.88	8.46	28.28	7	1744416-7
21.92	12.42	24.32	6	1744416-6
17.96	8.46	20.36	5	1744416-5
14.36	12.42	16.40	4	1744416-4
10.40	8.46	12.44	3	1744416-3
6.44	4.50	8.48	2	1744416-2
DIM H	DIM F	DIM A	NO. OF POSN	PART NUMBERS

THIS DRAWING IS A CONTROLLED DOCUMENT.

DIMENSIONS:	TOLERANCES UNLESS OTHERWISE SPECIFIED:	DIN	JR_RUTH	31OCT11
mm	0. PLC ± -	CIK	SAM_MACE	31OCT11
	1. PLC ± 0.4	APVD	SAM_MACE	31OCT11
	2. PLC ± 0.25	NAME	RECEPTACLE HOUSING, ECONOMY POWER II, GLOW WIRE	
	3. PLC ± 0.13	PRODUCT SPEC	108-2297	
	4. PLC ± -	APPLICATION SPEC	114-13265	
	ANGLES ± 1	SIZE	CAGE CODE	DRAWING NO
MATERIAL	FINISH	WEIGHT	A1	00779
		CUSTOMER DRAWING	SCALE	N/A
			SHEET	1 OF 1
			REV	E

STE TE Connectivity

X-ON Electronics

Largest Supplier of Electrical and Electronic Components

Click to view similar products for [Headers & Wire Housings](#) category:

Click to view products by [TE Connectivity](#) manufacturer:

Other Similar products are found below :

[892-18-020-10-001101](#) [58102-G61-06LF](#) [582553-1](#) [0009485154](#) [009176003701906](#) [0050291907](#) [LY20-4P-DT1-P1E-BR](#) [02.125.8002.8](#)
[609-3404](#) [61062-3](#) [61082-181009](#) [622-3653LF](#) [63453-116](#) [636-1030](#) [636-1427](#) [636-3427](#) [636-4007](#) [641938-9](#) [641991-4](#) [644827-2](#) [65817-010LF](#) [65817-015LF](#) [65863-015LF](#) [66207-023LF](#) [67095-007LF](#) [67601157](#) [68645-018](#) [68648-049](#) [70.362.1628.0](#) [70-4210](#) [70-4226B](#) [70-4853B](#) [707-5020](#) [707-5028](#) [71.350.2428.0](#) [71918-208LF](#) [71961-016LF](#) [733-134](#) [733-162](#) [754199-000](#) [760-3052](#) [787-8014-00](#) [79531-3000](#)
[FCN-360C032-B](#) [FCN-367T-T012/H](#) [FCN-723D010/2](#) [80.063.4001.1](#) [800-90-001-10-001000](#) [800-90-010-10-002000](#) [801-43-002-10-013000](#)