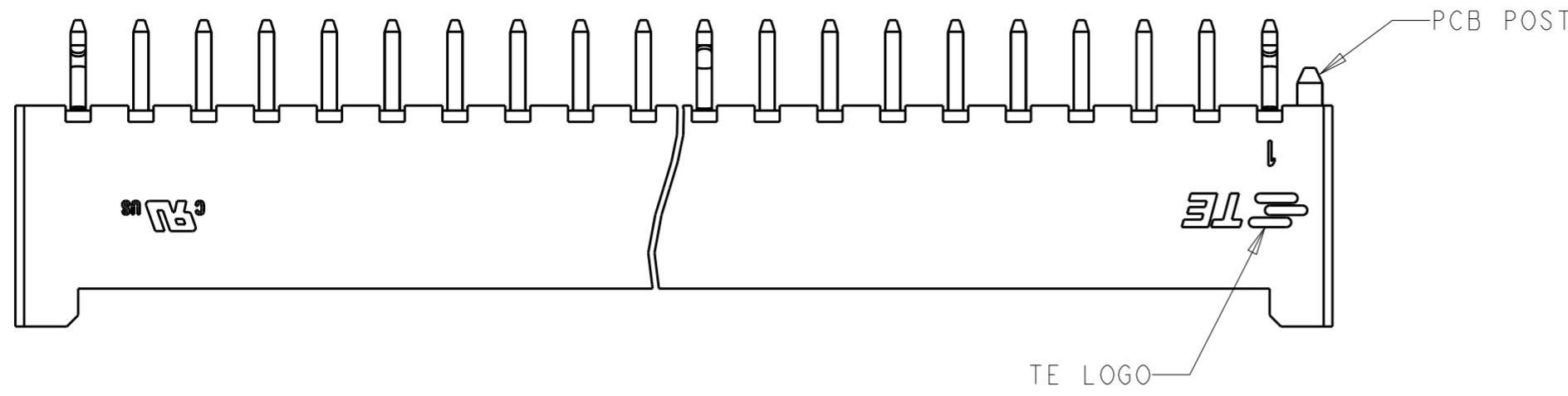
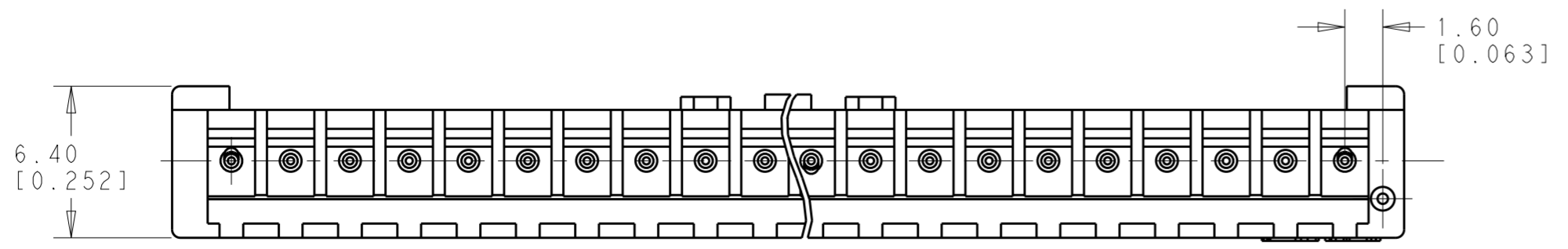
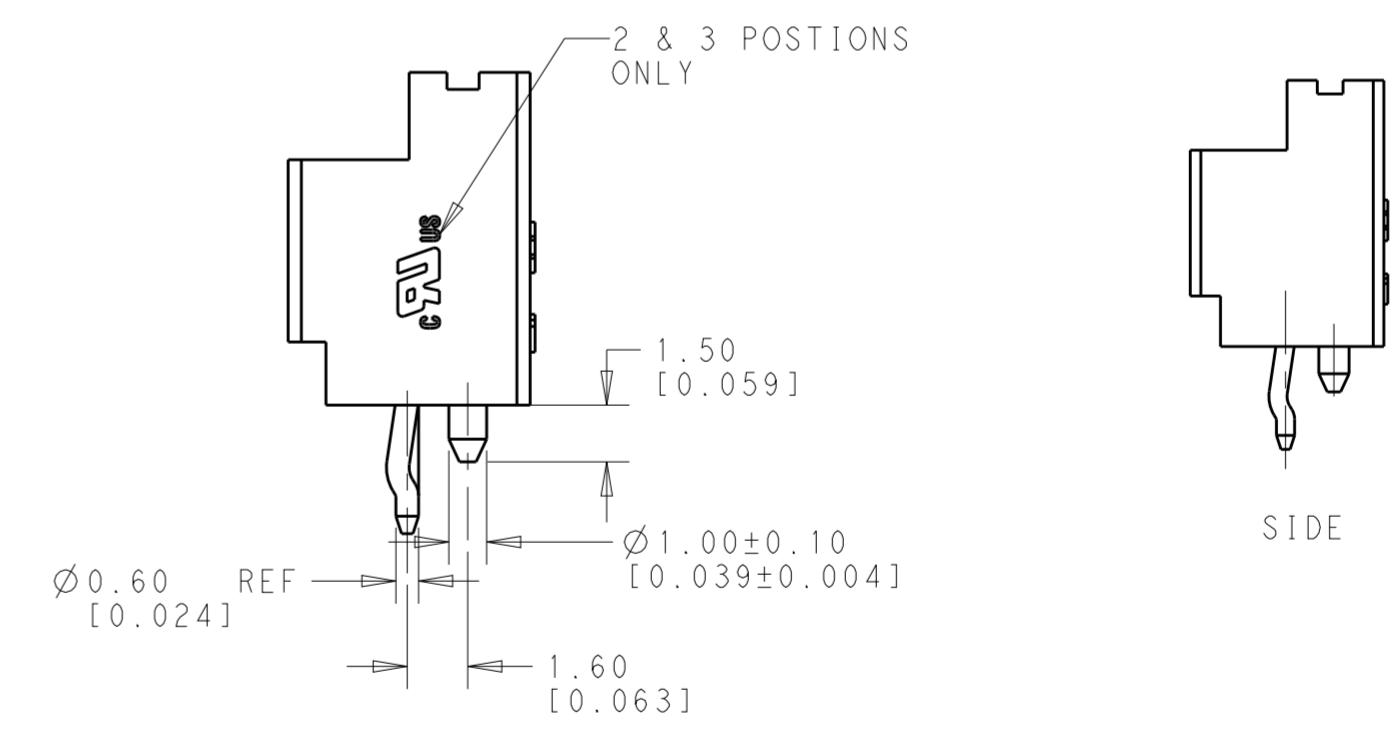
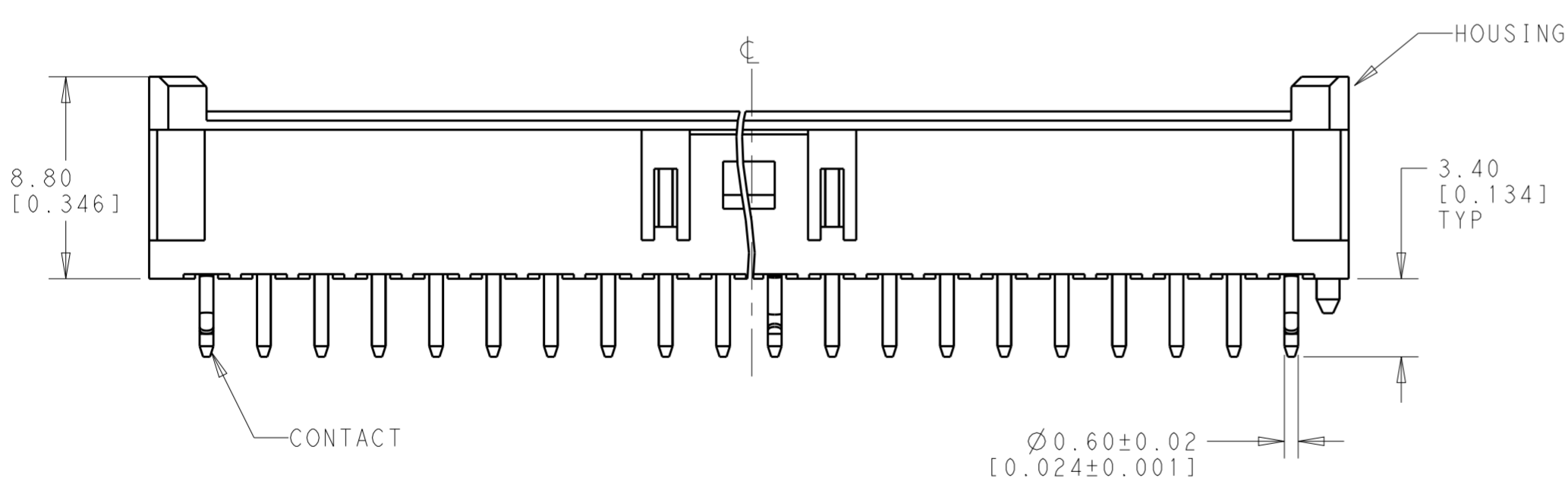
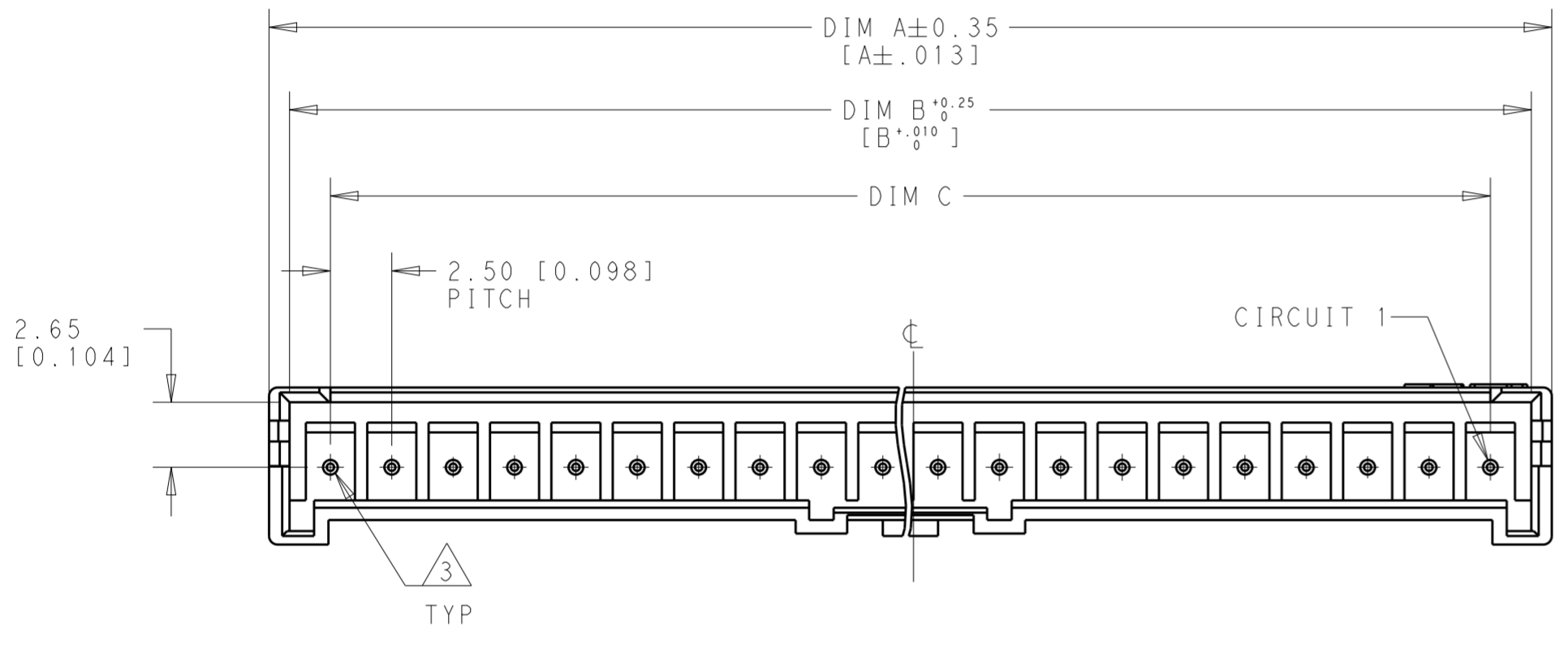


THIS DRAWING IS UNPUBLISHED. RELEASED FOR PUBLICATION
 © COPYRIGHT copyright.d8te- ALL RIGHTS RESERVED.

REVISIONS				
P	LTR	DESCRIPTION	DATE	APVD
	E4	REVISED PER ECR-17-013791	30DEC2017	W.H D.Z



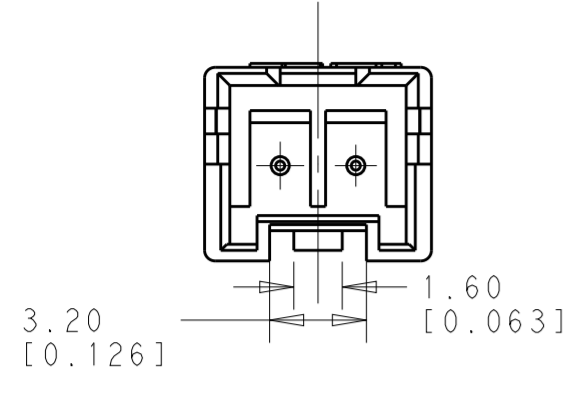
- 1 MATERIAL: HIGH PERFORMANCE RESIN, UL94-V0 COLOR: NATURAL
- 2 COMPLY WITH GLOW WIRE REQUIREMENTS FOR PARTS OF NON-METALLIC MATERIAL SUPPORTING A CURRENT-CARRYING CONNECTION DETAILED IN IEC 60335-1, SECTION 30(GWT).
- 3 PIN RETENTION: 12 NEWTONS [2.7 LBF] MIN.



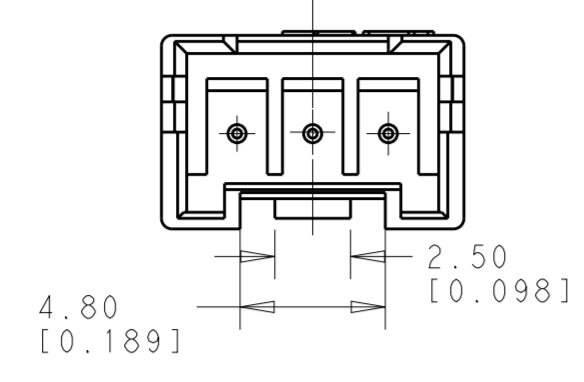
THIS DRAWING IS A CONTROLLED DOCUMENT.		DWN 08 JUN 2016 NAGALAKSHMI K	 TE Connectivity	NAME	
DIMENSIONS: mm [INCHES]		CHK 08 JUN 2016 CHIARELLI DAVIDE		HEADER ASSEMBLY, VERTICAL, ECONOMY POWER, 2.5mm CENTERLINE, GLOW WIRE	
TOLERANCES UNLESS OTHERWISE SPECIFIED:		APVD 08 JUN 2016 CHIARELLI DAVIDE	PRODUCT SPEC		RESTRICTED TO
0 PLC ±0.50		114-13315	APPLICATION SPEC		
1 PLC ±0.30		108-2418 3	WEIGHT		
2 PLC ±0.20			CUSTOMER DRAWING		
3 PLC ±0.10			SCALE 4:1		SHEET 1 OF 2
4 PLC ±			DRAWING NO. A200779 C-1744418		REV E4
ANGLES ±3°					
FINISH					

THIS DRAWING IS UNPUBLISHED. RELEASED FOR PUBLICATION
 © COPYRIGHT copyright.d8te- ALL RIGHTS RESERVED.

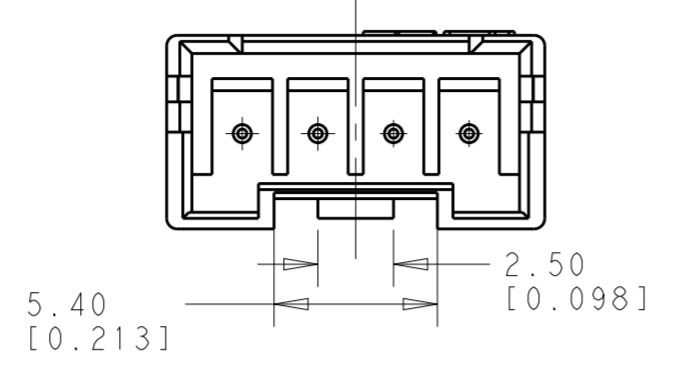
REVISIONS				
P	LTR	DESCRIPTION	DATE	APVD
-	-	SEE SHEET 1	-	-



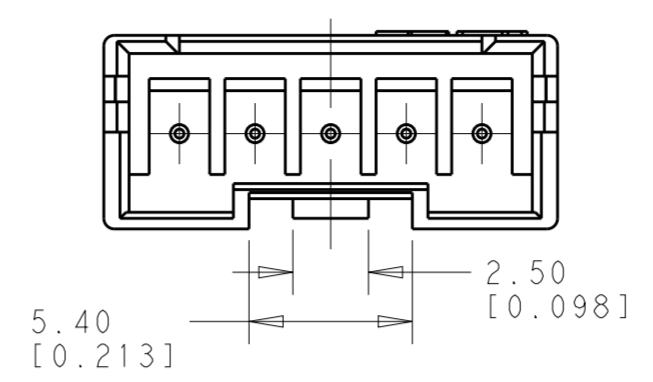
2 POSITION



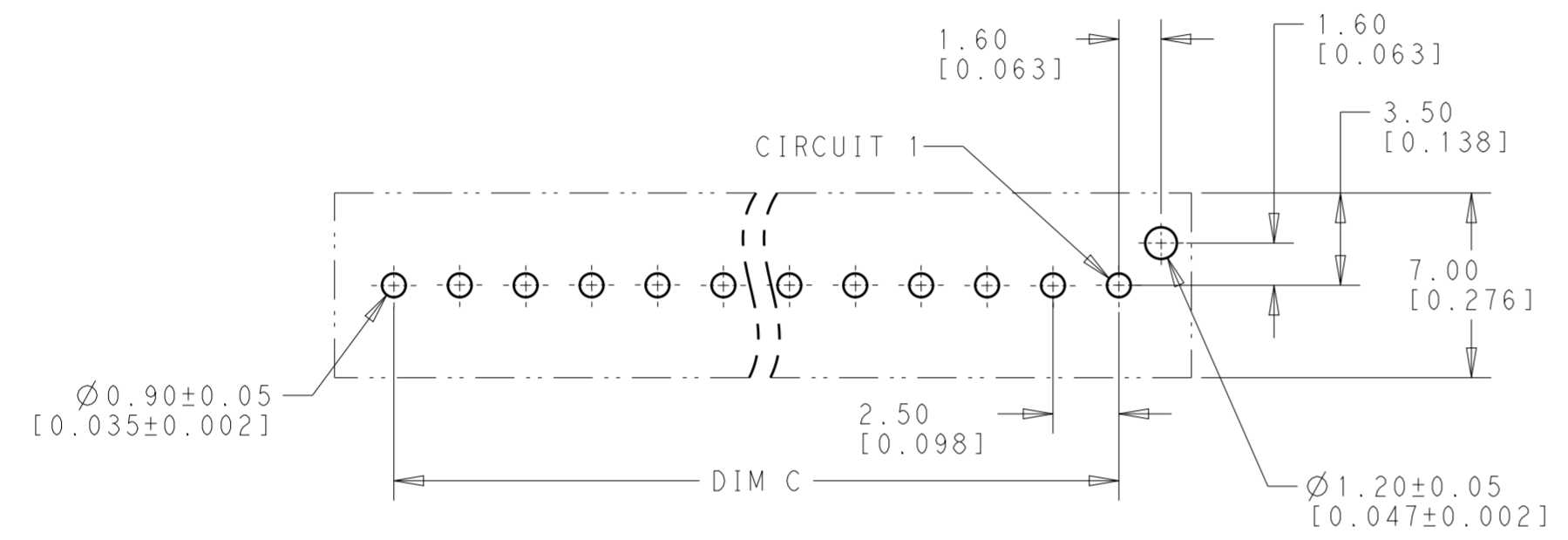
3 POSITION



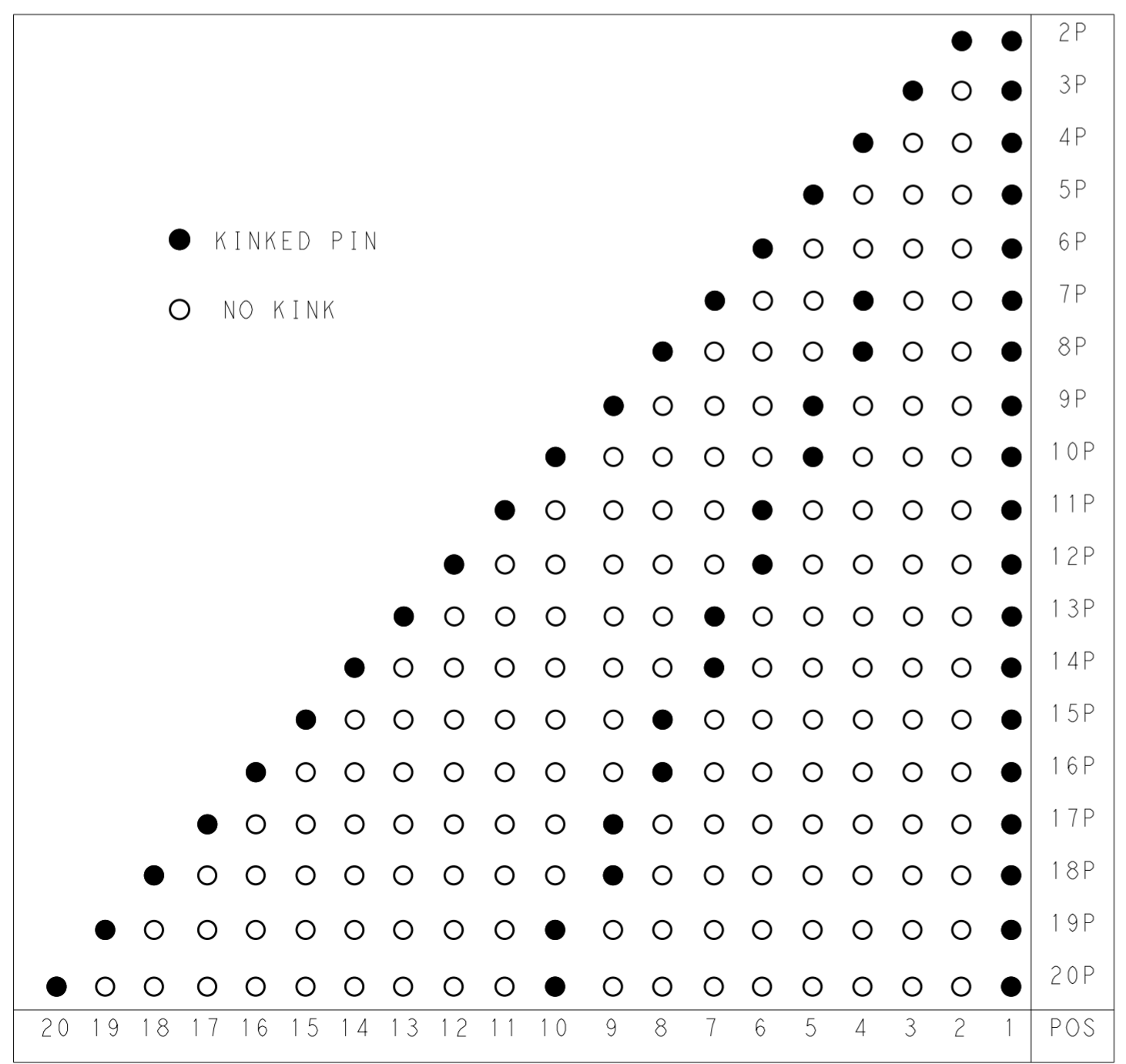
4 POSITION



5 POSITION



RECOMMENDED PCB LAYOUT



47.5 [1.870]	50.83[2.001]	52.5 [2.067]	20	2-1744418-0
45.0 [1.772]	48.33[1.903]	50.0 [1.968]	19	1-1744418-9
42.5 [1.673]	45.83[1.804]	47.5 [1.870]	18	1-1744418-8
40.0 [1.575]	43.33[1.706]	45.0 [1.772]	17	1-1744418-7
37.5 [1.476]	40.83[1.607]	42.5 [1.673]	16	1-1744418-6
35.0 [1.378]	38.33[1.510]	40.0 [1.575]	15	1-1744418-5
32.5 [1.280]	35.83[1.411]	37.5 [1.476]	14	1-1744418-4
30.0 [1.181]	33.33[1.312]	35.0 [1.378]	13	1-1744418-3
27.5 [1.083]	30.83[1.214]	32.5 [1.280]	12	1-1744418-2
25.0 [.984]	28.33[1.115]	30.0 [1.181]	11	1-1744418-1
22.5 [.886]	25.83[1.016]	27.5 [1.083]	10	1-1744418-0
20.0 [.787]	23.33[.919]	25.0 [.984]	9	1744418-9
17.5 [.689]	20.83[.820]	22.5 [.886]	8	1744418-8
15.0 [.591]	18.33[.722]	20.0 [.787]	7	1744418-7
12.5 [.492]	15.83[.623]	17.5 [.689]	6	1744418-6
10.0 [.395]	13.33[.525]	15.0 [.591]	5	1744418-5
7.5 [.295]	10.83[.426]	12.5 [.492]	4	1744418-4
5.0 [.197]	8.33[.328]	10.0 [.395]	3	1744418-3
2.5 [.098]	5.83[.229]	7.5 [.295]	2	1744418-2
DIM C	DIM B	DIM A	POS	PART NO

THIS DRAWING IS A CONTROLLED DOCUMENT.

DWN: NAGALAKSHMI K. 08 JUN 2016
 CHK: CHIARELLI DAVIDE 08 JUN 2016
 APVD: CHIARELLI DAVIDE 08 JUN 2016

TE Connectivity

NAME: HEADER ASSEMBLY, VERTICAL, ECONOMY POWER, 2.5mm CENTERLINE, GLOW WIRE

PRODUCT SPEC: 108-2418 3
 APPLICATION SPEC: 114-13315

MATERIAL: -
 FINISH: -

WEIGHT: -

SIZE: A2
 CAGE CODE: 00779
 DRAWING NO: C-1744418

RESTRICTED TO: -

CUSTOMER DRAWING SCALE: 4:1 SHEET: 2 OF 2 REV: E4

X-ON Electronics

Largest Supplier of Electrical and Electronic Components

Click to view similar products for [Headers & Wire Housings](#) category:

Click to view products by [TE Connectivity](#) manufacturer:

Other Similar products are found below :

[892-18-020-10-001101](#) [58102-G61-06LF](#) [582553-1](#) [0009485154](#) [009176003701906](#) [0050291907](#) [LY20-4P-DT1-P1E-BR](#) [02.125.8002.8](#)
[609-3404](#) [61062-3](#) [61082-181009](#) [622-3653LF](#) [63453-116](#) [636-1030](#) [636-1427](#) [636-3427](#) [636-4007](#) [641938-9](#) [641991-4](#) [644827-2](#) [65817-](#)
[010LF](#) [65817-015LF](#) [65863-015LF](#) [66207-023LF](#) [67095-007LF](#) [67601157](#) [68645-018](#) [68648-049](#) [70.362.1628.0](#) [70-4210](#) [70-4226B](#) [70-](#)
[4853B](#) [707-5020](#) [707-5028](#) [71.350.2428.0](#) [71918-208LF](#) [71961-016LF](#) [733-134](#) [733-162](#) [754199-000](#) [760-3052](#) [787-8014-00](#) [79531-3000](#)
[FCN-360C032-B](#) [FCN-367T-T012/H](#) [FCN-723D010/2](#) [80.063.4001.1](#) [800-90-001-10-001000](#) [800-90-010-10-002000](#) [801-43-002-10-013000](#)