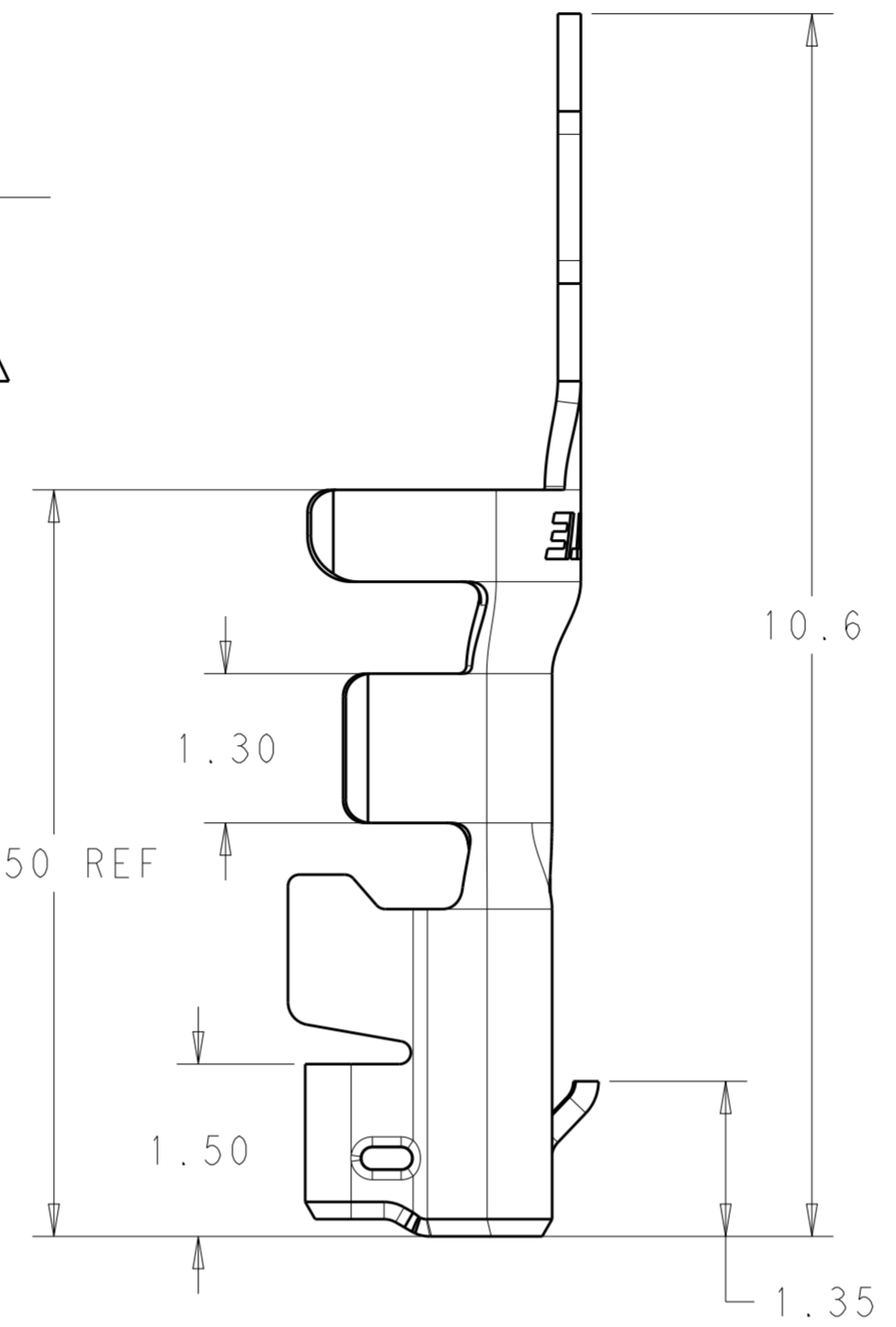
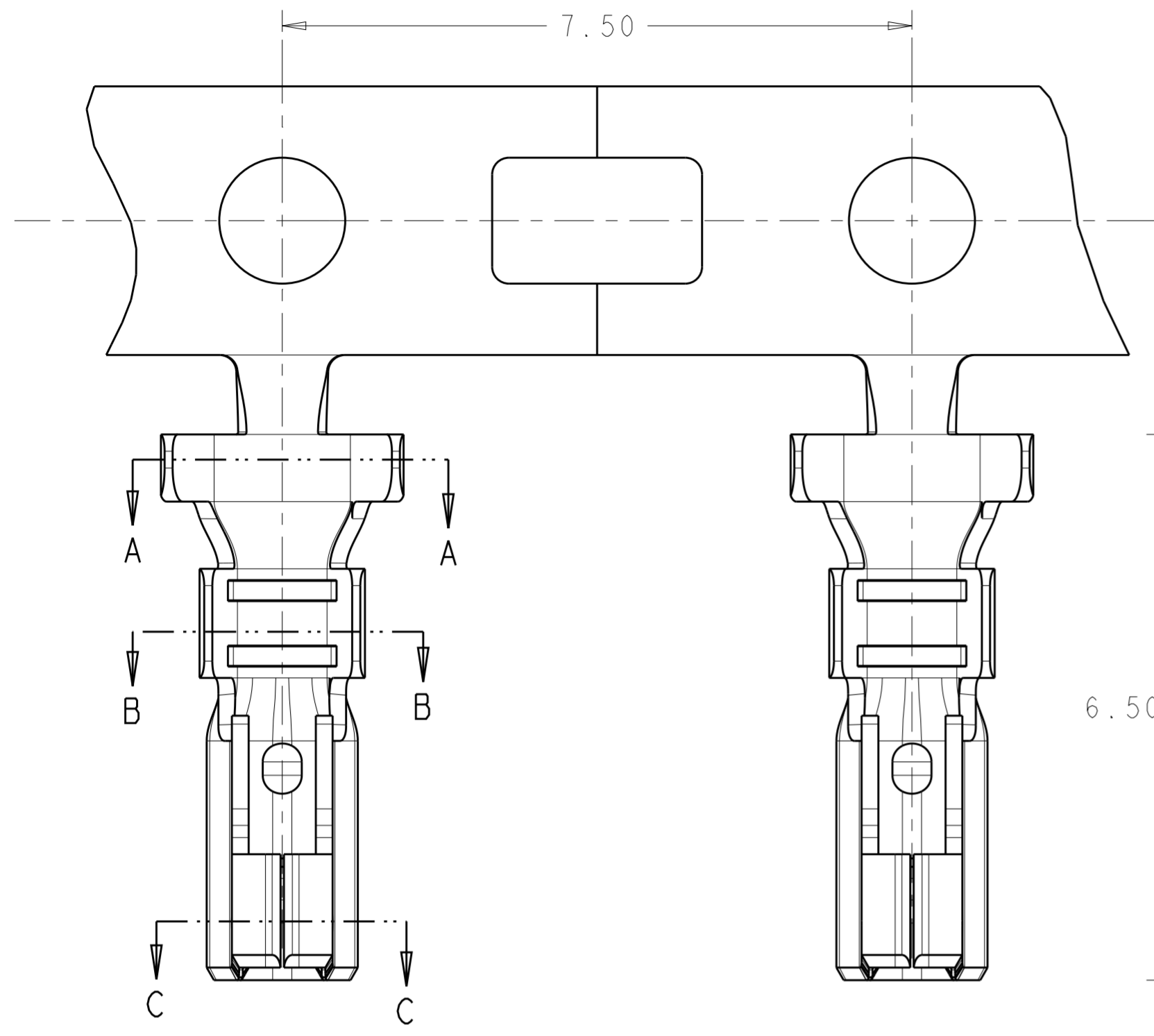
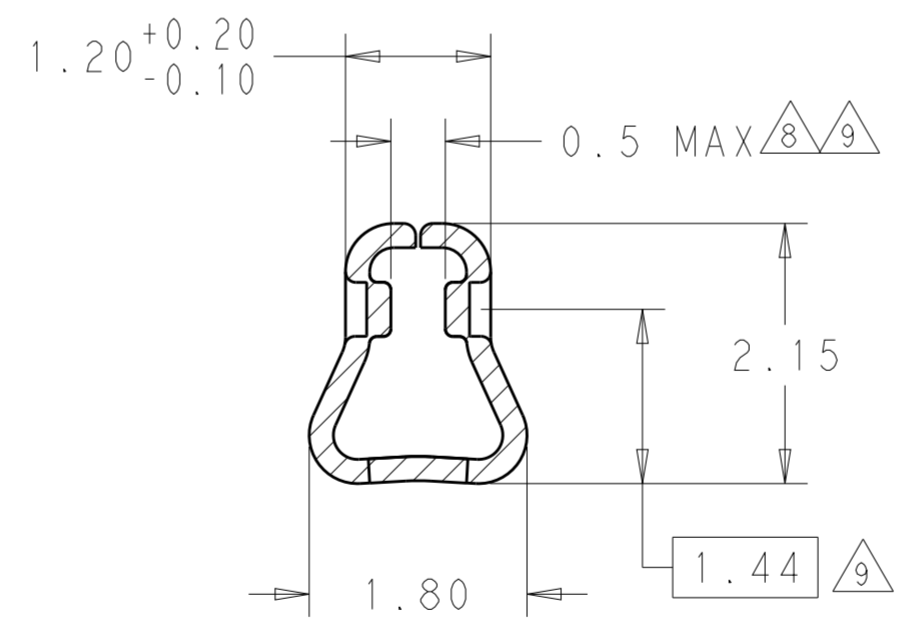
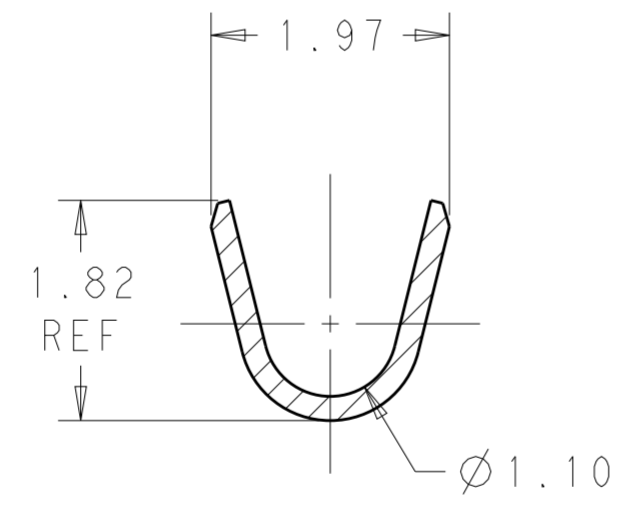
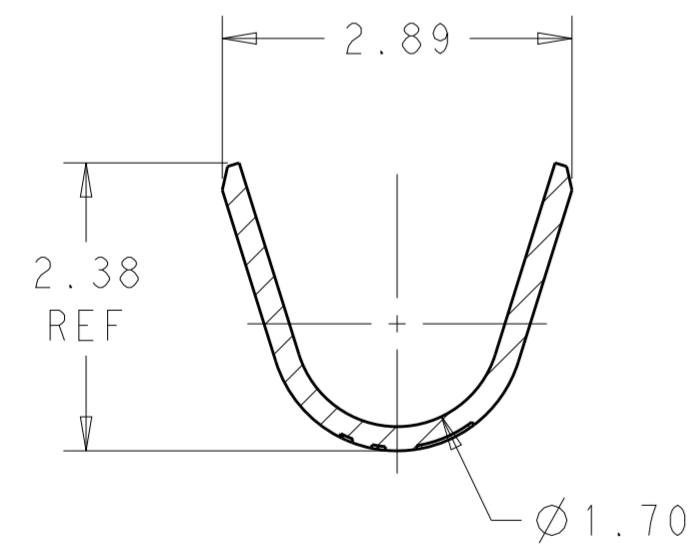
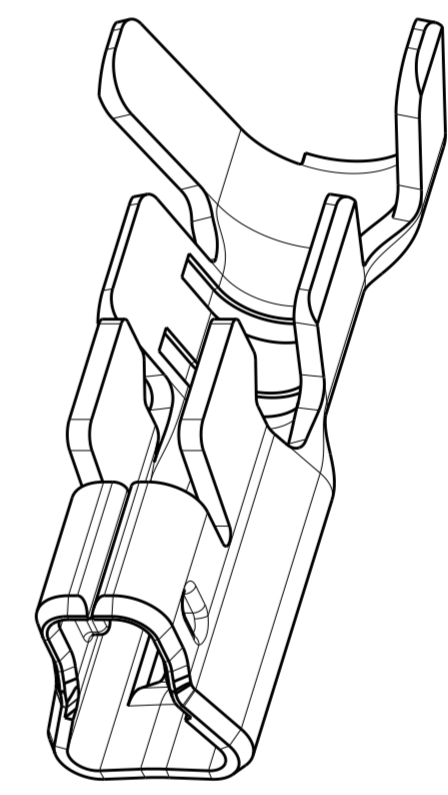


THIS DRAWING IS UNPUBLISHED. RELEASED FOR PUBLICATION 2011
 © COPYRIGHT 2011 ALL RIGHTS RESERVED.

REVISIONS				
P	LTR	DESCRIPTION	DATE	APVD
C		REVISED PER ECR-19-012801	09JAN2020	WH DZ



- 1 MATERIAL: PHOSPHOR BRONZE
- 2 FINISH: PRE-TIN
- 3. DESIGNED FOR USE IN HOUSINGS []-1969442-[] OR []-1744417-[].
- 4. CONTACTS COATED WITH ANTI-FRETTING LUBRICANT.
- 5. CONTACT IS RoHS COMPLIANT.
- 6. WIRE RANGE: 0.20-0.56mm2 [24-20 AWG] STRANDED.
- 7. INSULATION RANGE: 1.3-1.9mm
- 8 AFTER CRIMP DIMENSION
- 9 MEASURE LOCATION FOR 0.50mm MAX DIMENSION



SECTION A-A

SECTION B-B

SECTION C-C

1744423-1
 PART NUMBER

THIS DRAWING IS A CONTROLLED DOCUMENT.		DWN KIRAN HOLAL 27DEC2011	TE Connectivity	
DIMENSIONS: mm		CHK SAMUEL MACE 27DEC2011		
TOLERANCES UNLESS OTHERWISE SPECIFIED:		APVD SAMUEL MACE 27DEC2011	NAME CONTACT, ECONOMY POWER 2.5 RECEPTACLE	
0 PLC ± 1 PLC ±0.5 2 PLC ±0.30 3 PLC ± 4 PLC ± ANGLES ±1° FINISH		PRODUCT SPEC 108-2418	SIZE A200779	DRAWING NO C-1744423
MATERIAL		WEIGHT	RESTRICTED TO	
1		2	SCALE N/A	SHEET 1 OF 1 REV C

X-ON Electronics

Largest Supplier of Electrical and Electronic Components

Click to view similar products for [Headers & Wire Housings](#) category:

Click to view products by [TE Connectivity](#) manufacturer:

Other Similar products are found below :

[892-18-020-10-001101](#) [58102-G61-06LF](#) [582553-1](#) [0009485154](#) [009176003701906](#) [0050291907](#) [LY20-4P-DT1-P1E-BR](#) [02.125.8002.8](#)
[609-3404](#) [61062-3](#) [61082-181009](#) [622-3653LF](#) [63453-116](#) [636-1030](#) [636-1427](#) [636-3427](#) [636-4007](#) [641938-9](#) [641991-4](#) [644827-2](#) [65817-](#)
[010LF](#) [65817-015LF](#) [65863-015LF](#) [66207-023LF](#) [67095-007LF](#) [67601157](#) [68645-018](#) [68648-049](#) [70.362.1628.0](#) [70-4210](#) [70-4226B](#) [70-](#)
[4853B](#) [707-5020](#) [707-5028](#) [71.350.2428.0](#) [71918-208LF](#) [71961-016LF](#) [733-134](#) [733-162](#) [754199-000](#) [760-3052](#) [79531-3000](#) [FCN-](#)
[360C032-B](#) [FCN-367T-T012/H](#) [FCN-723D010/2](#) [80.063.4001.1](#) [800-90-001-10-001000](#) [800-90-010-10-002000](#) [801-43-002-10-013000](#)
[801-43-006-10-002000](#)