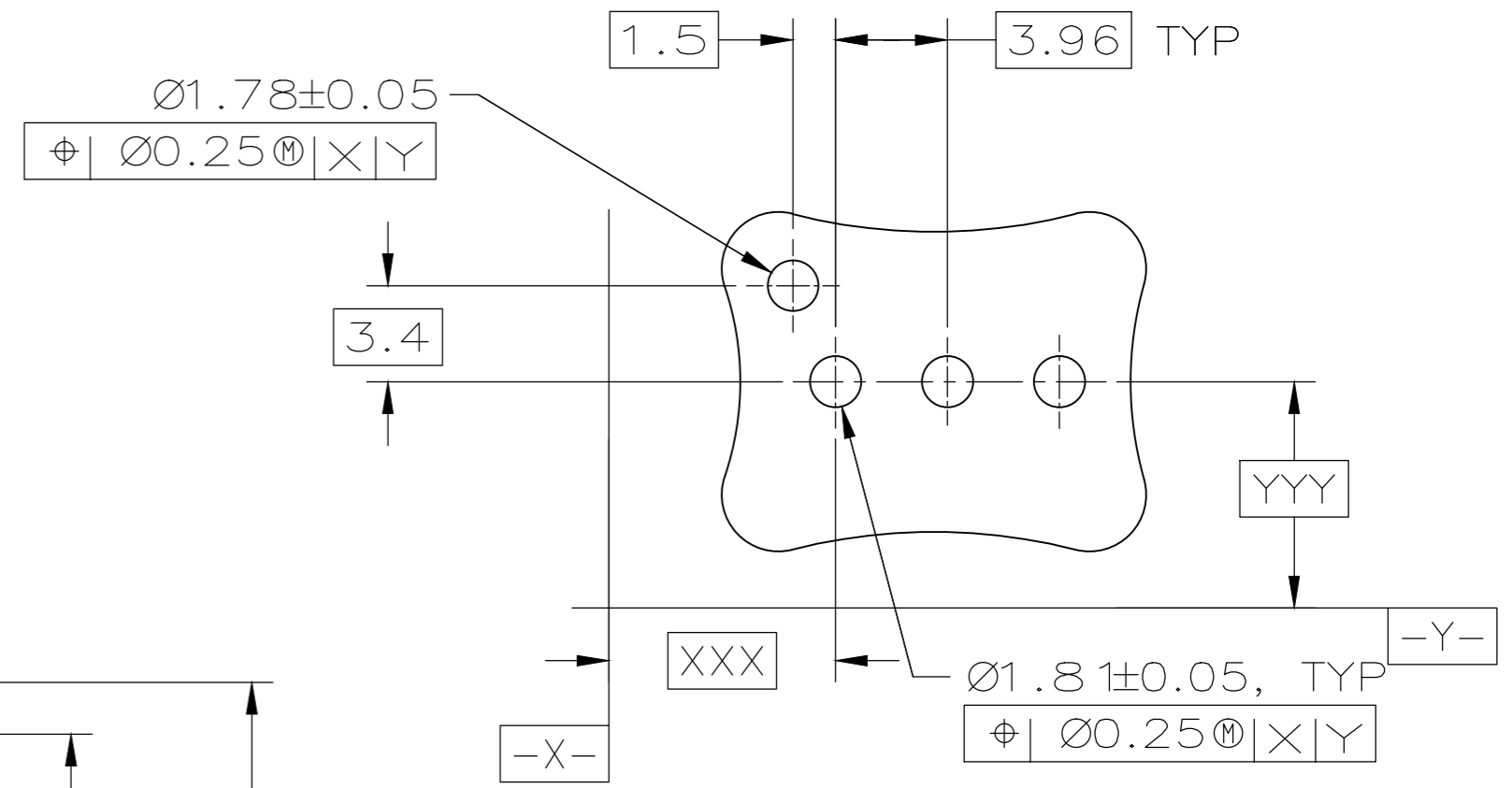
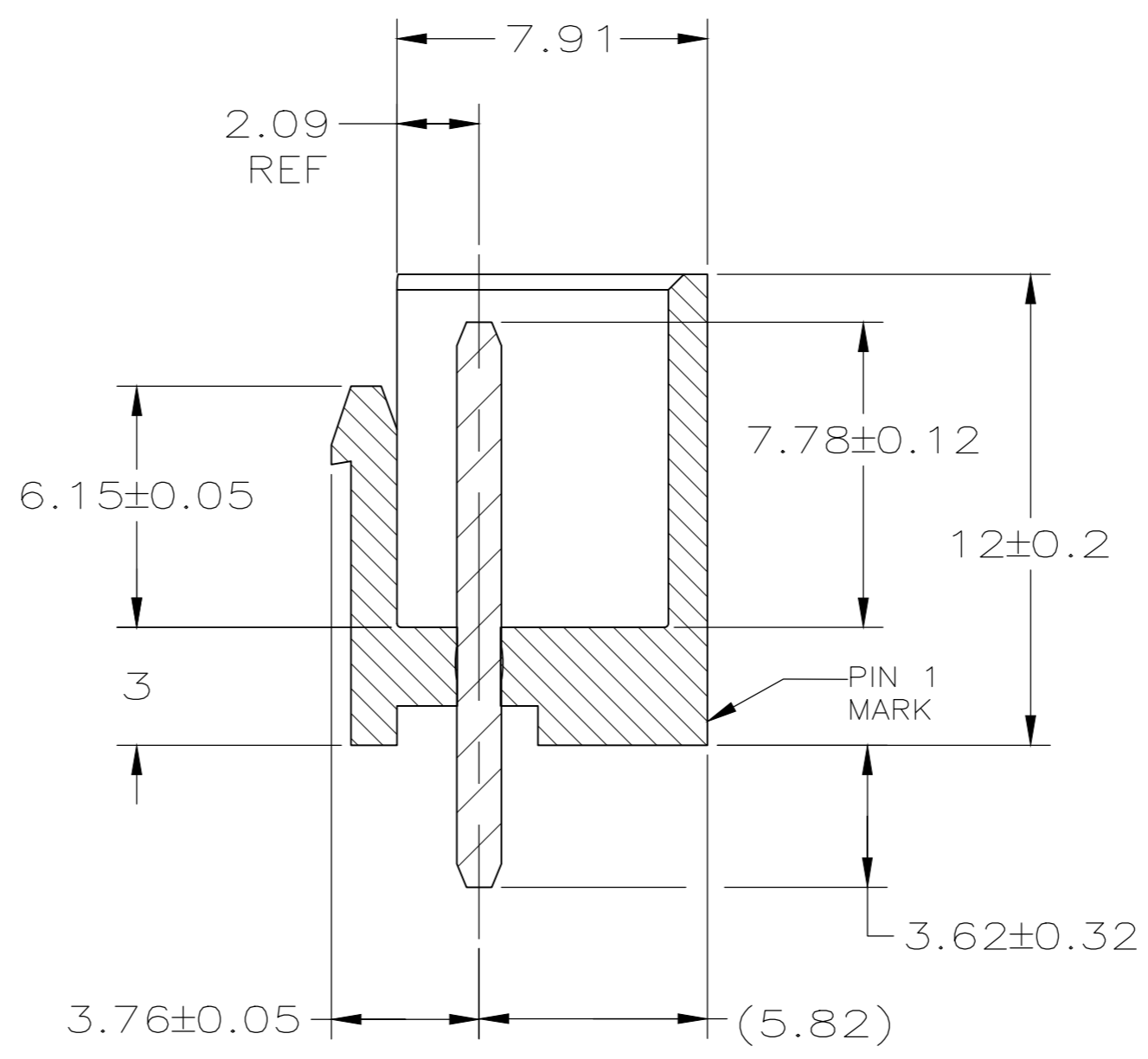
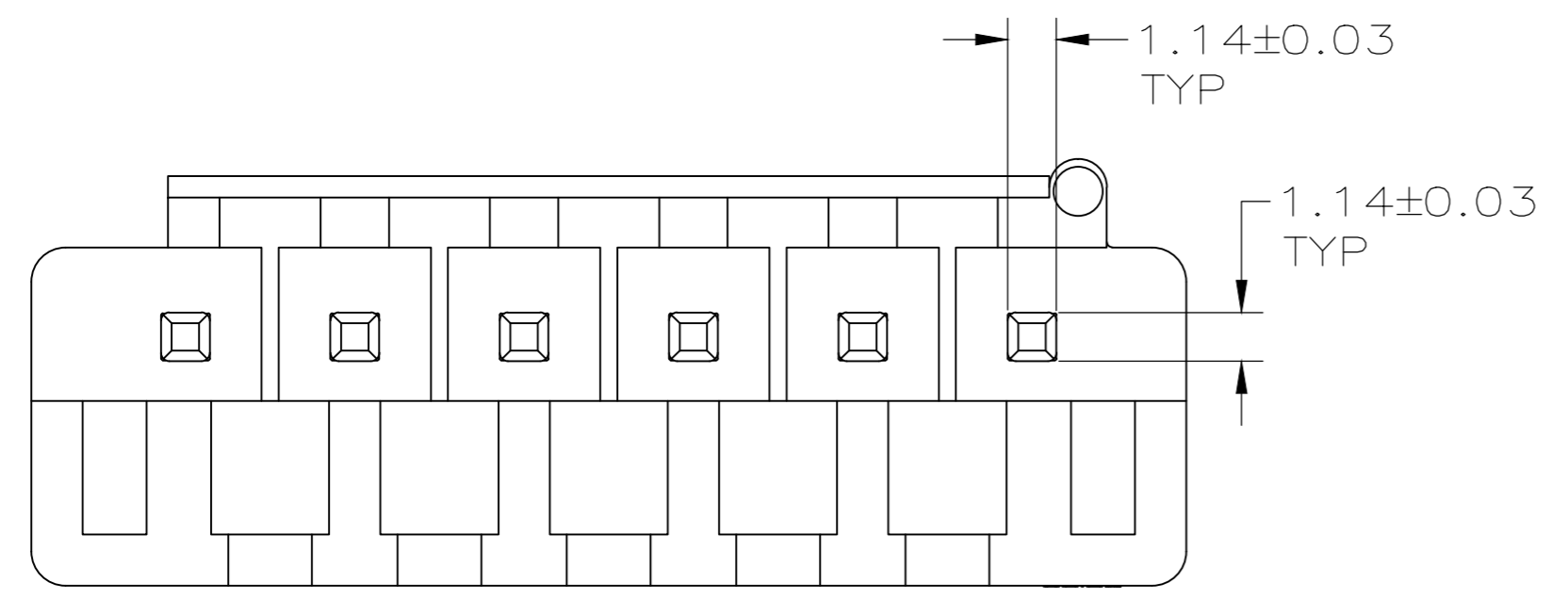
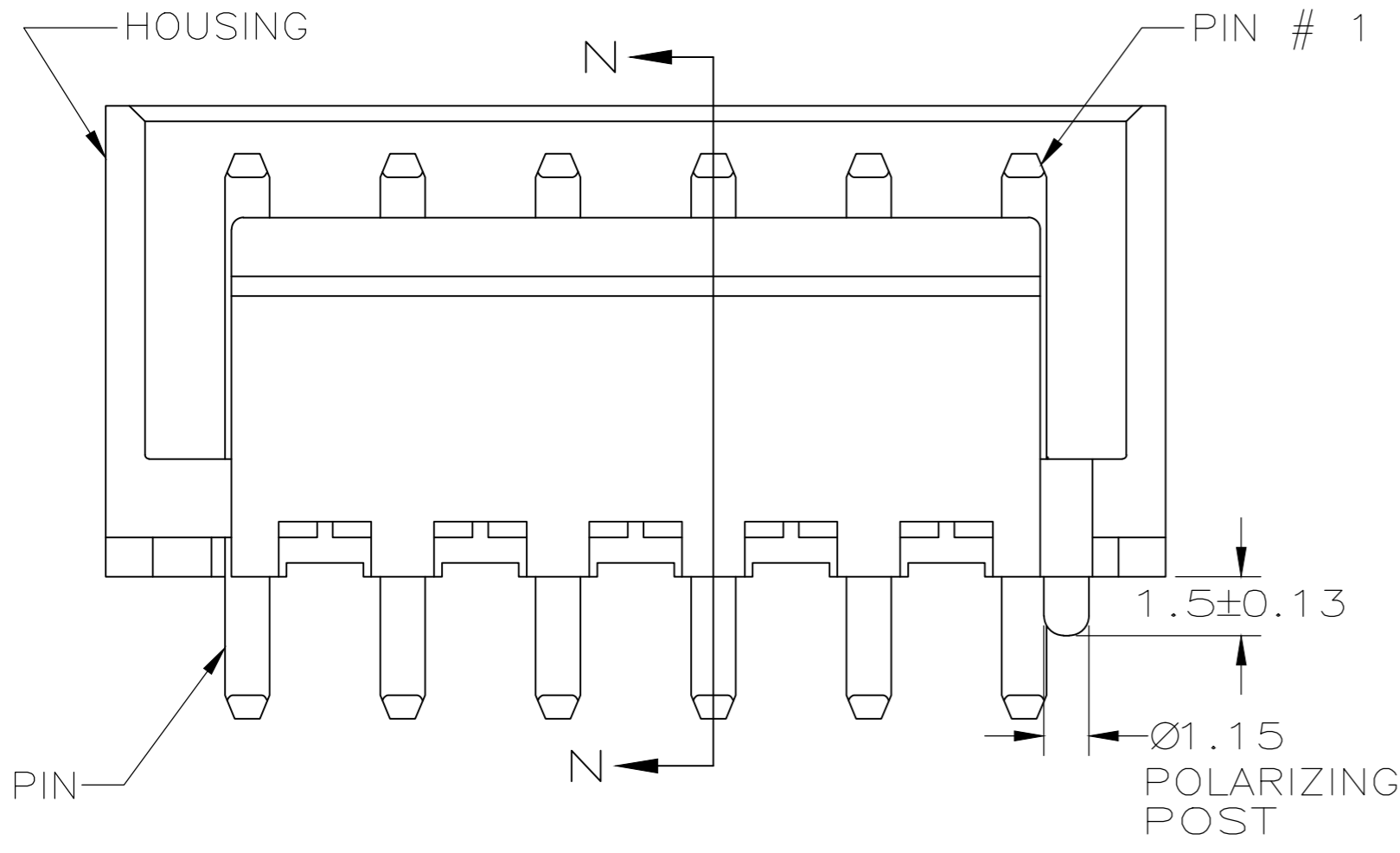
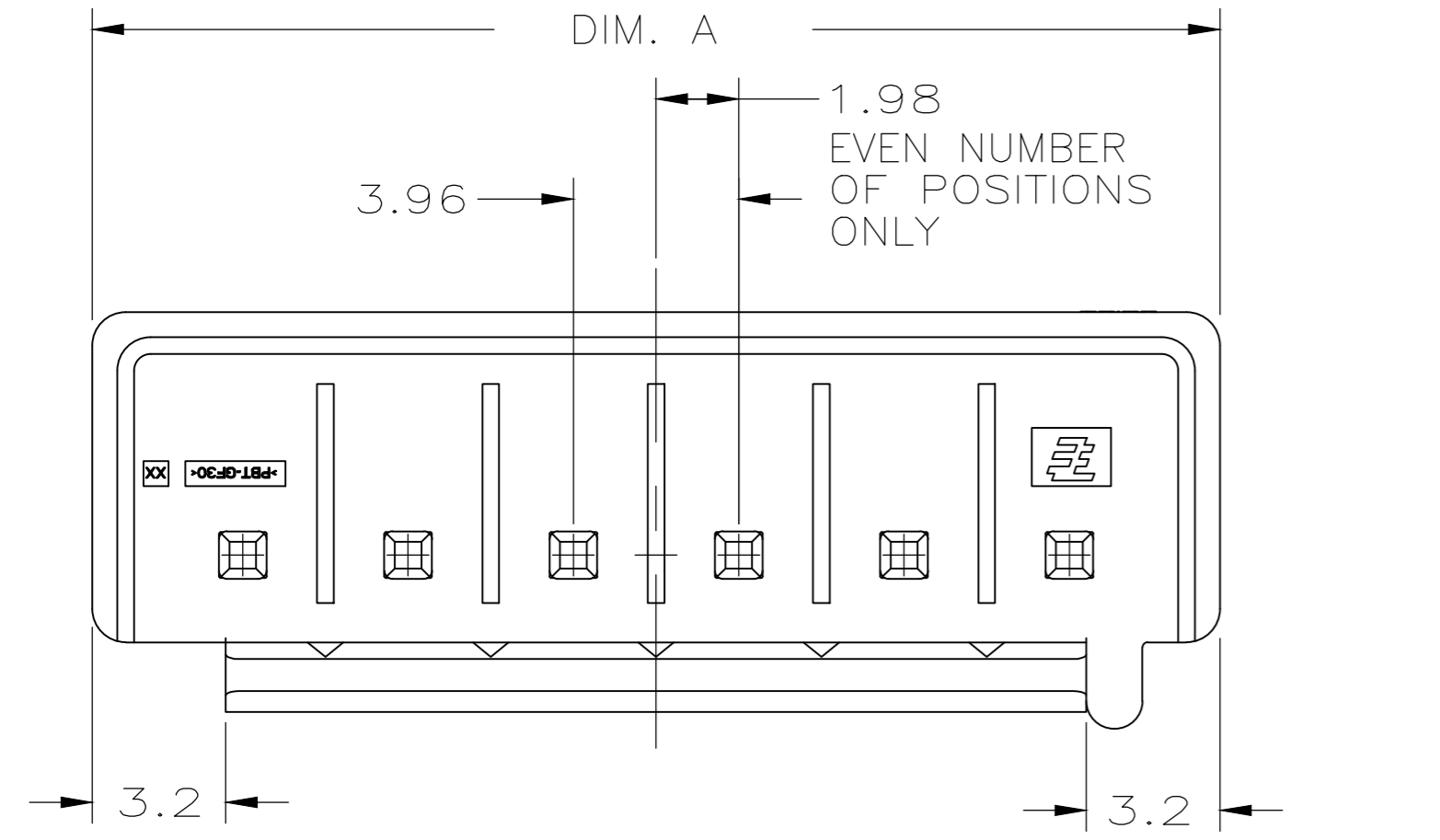


THIS DRAWING IS UNPUBLISHED. RELEASED FOR PUBLICATION - .20 .
 © COPYRIGHT 20 BY - ALL RIGHTS RESERVED.

REVISIONS				
P	LTR	DESCRIPTION	DATE	DWN APVD
B2		REVISED PER ECR-17-005823	15MAY2017	O.C D.Z



△ MATERIAL: HOUSING; NYLON GLASS FILLED UL94V-2
 PIN: BRASS
 △ FINISH: PIN, 1.0µm MIN TIN OVER 0.8µm MIN NICKEL.

- 3 PARTS TESTED TO IEC 60695-2-11 AND IS COMPLAINT TO IEC 60335-1
- 4 HOUSING MATERIAL MEETS MINIMUM GLOW WIRE FLAMMABILITY INDEX OF 850°C PER IEC 60695-2-12 AND MINIMUM GLOW WIRE IGNITION TEMPERATURE OF 775°C PER IEC 60695-2-13.
- 5 SKETCH SHOWS NO PIN MISSING.

34.93	7	8	1-1744427-8
23.05	2	5	1-1744427-5
50.77	-	12	1-1744427-2
46.81	-	11	1-1744427-1
42.85	-	10	1-1744427-0
38.89	-	9	1744427-9
34.93	-	8	1744427-8
30.97	-	7	1744427-7
27.01	-	6	1744427-6
23.05	-	5	1744427-5
19.09	-	4	1744427-4
15.13	-	3	1744427-3
11.17	-	2	1744427-2
DIM. A OMIT PIN# POS.			PART NO.

THIS DRAWING IS A CONTROLLED DOCUMENT.		DWN	JR RUTH	09JAN12
DIMENSIONS: mm		CHK	SAM MACE	09JAN12
TOLERANCES UNLESS OTHERWISE SPECIFIED:		APVD	SAM MACE	09JAN12
0 PLC	± -	PRODUCT SPEC		
1 PLC	± -	APPLICATION SPEC		
2 PLC	± 0.10	-		
3 PLC	± -	WEIGHT		
4 PLC	± -	SCALE 6:1		
ANGLES	± -	SHEET 1 of 1		
FINISH	△ 2	REV B2		

STE

TE Connectivity

SHROUDED HEADER ASSEMBLY,
3.96mm PITCH, ECONOMY POWER (EP)

SIZE A2

CAGE CODE 00779

DRAWING NO. C=1744427

RESTRICTED TO -

X-ON Electronics

Largest Supplier of Electrical and Electronic Components

Click to view similar products for [Headers & Wire Housings](#) category:

Click to view products by [TE Connectivity](#) manufacturer:

Other Similar products are found below :

[892-18-020-10-001101](#) [58102-G61-06LF](#) [582553-1](#) [0009485154](#) [009176003701906](#) [0050291907](#) [LY20-4P-DT1-P1E-BR](#) [02.125.8002.8](#)
[609-3404](#) [61062-3](#) [61082-181009](#) [622-3653LF](#) [63453-116](#) [636-1030](#) [636-1427](#) [636-3427](#) [636-4007](#) [641938-9](#) [641991-4](#) [644827-2](#) [65817-010LF](#) [65817-015LF](#) [65863-015LF](#) [66207-023LF](#) [67095-007LF](#) [67601157](#) [68645-018](#) [68648-049](#) [70.362.1628.0](#) [70-4210](#) [70-4226B](#) [70-4853B](#) [707-5020](#) [707-5028](#) [71.350.2428.0](#) [71918-208LF](#) [71961-016LF](#) [733-134](#) [733-162](#) [754199-000](#) [760-3052](#) [787-8014-00](#) [79531-3000](#)
[FCN-360C032-B](#) [FCN-367T-T012/H](#) [FCN-723D010/2](#) [80.063.4001.1](#) [800-90-001-10-001000](#) [800-90-010-10-002000](#) [801-43-002-10-013000](#)