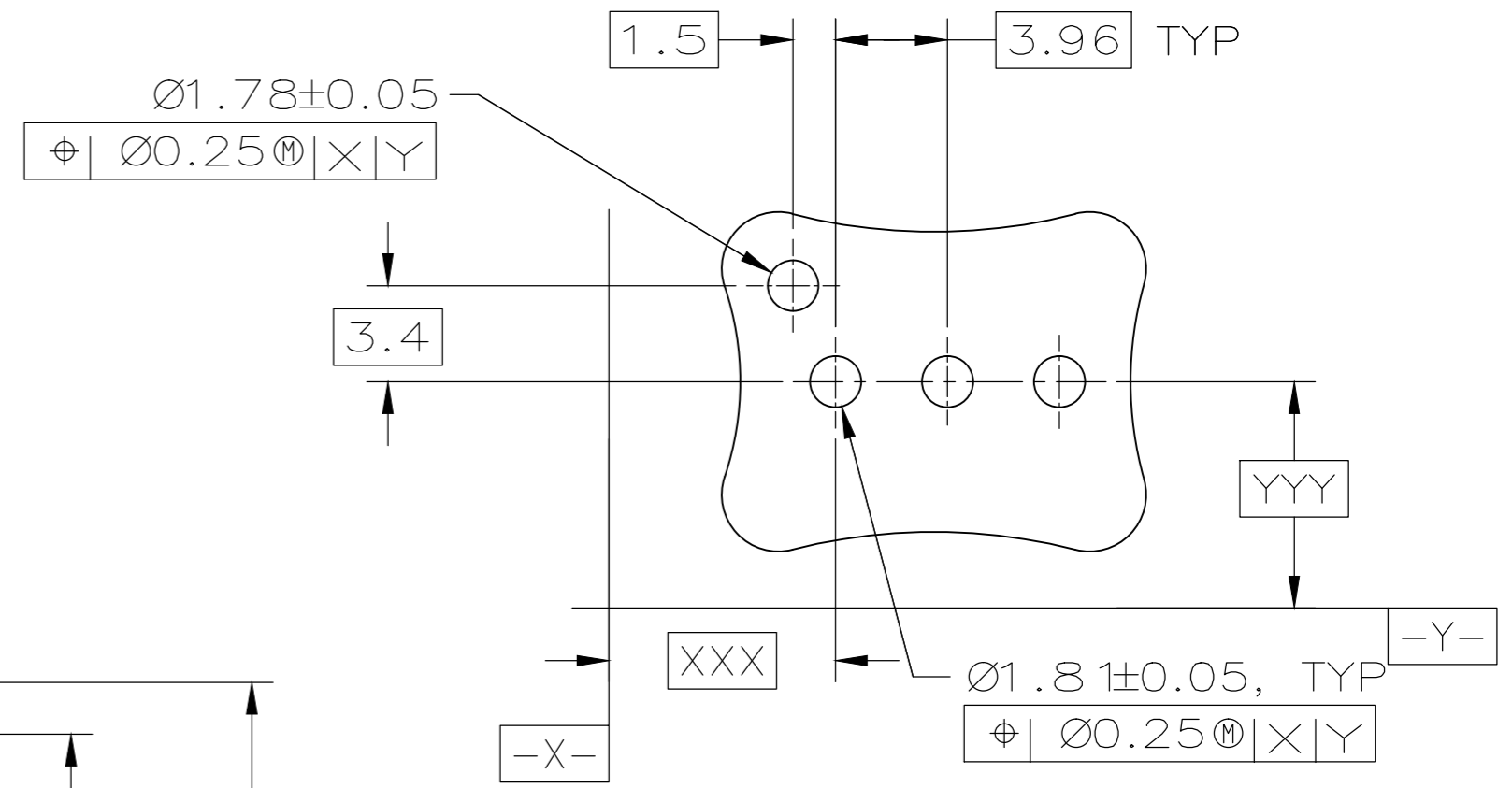
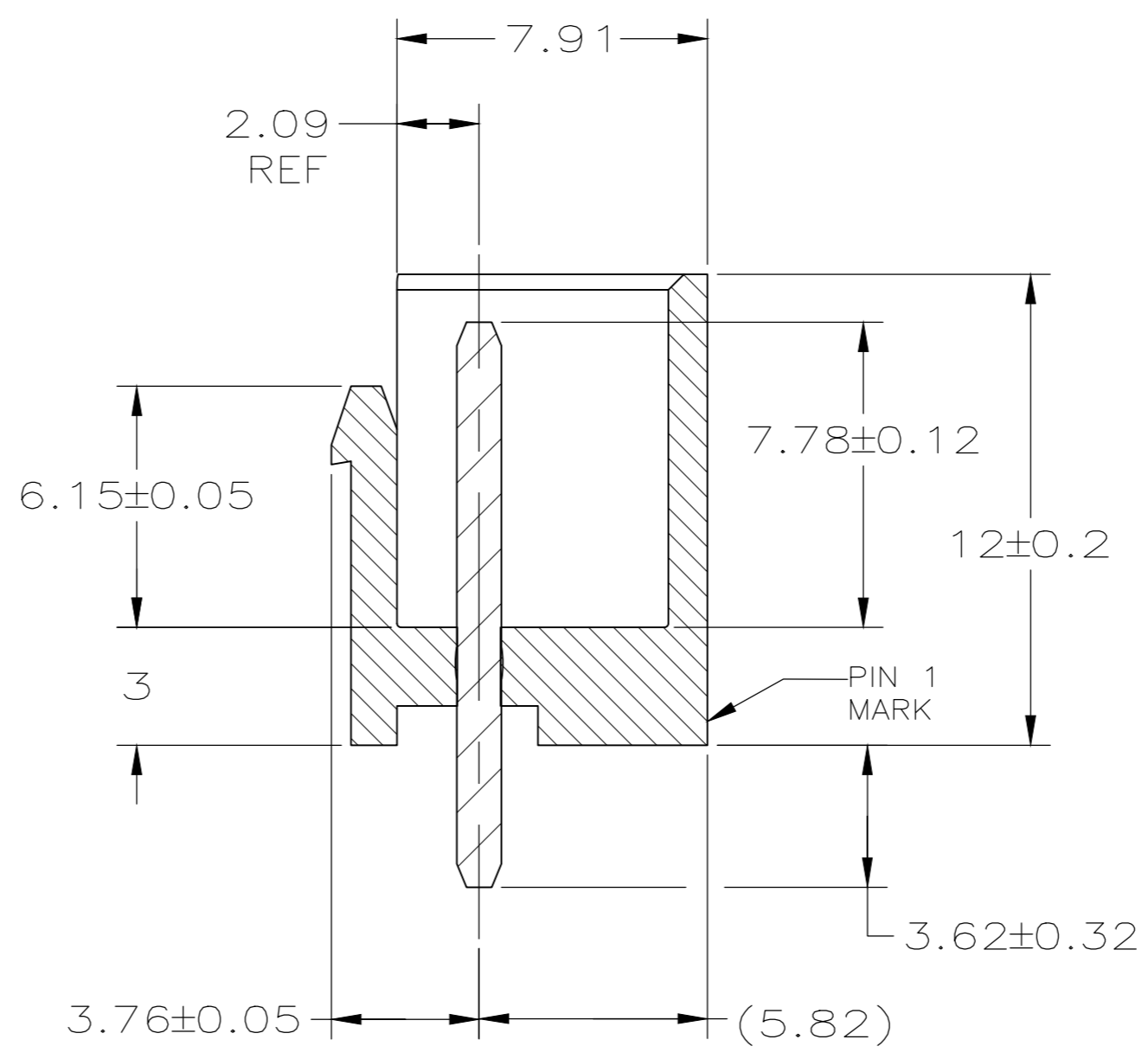
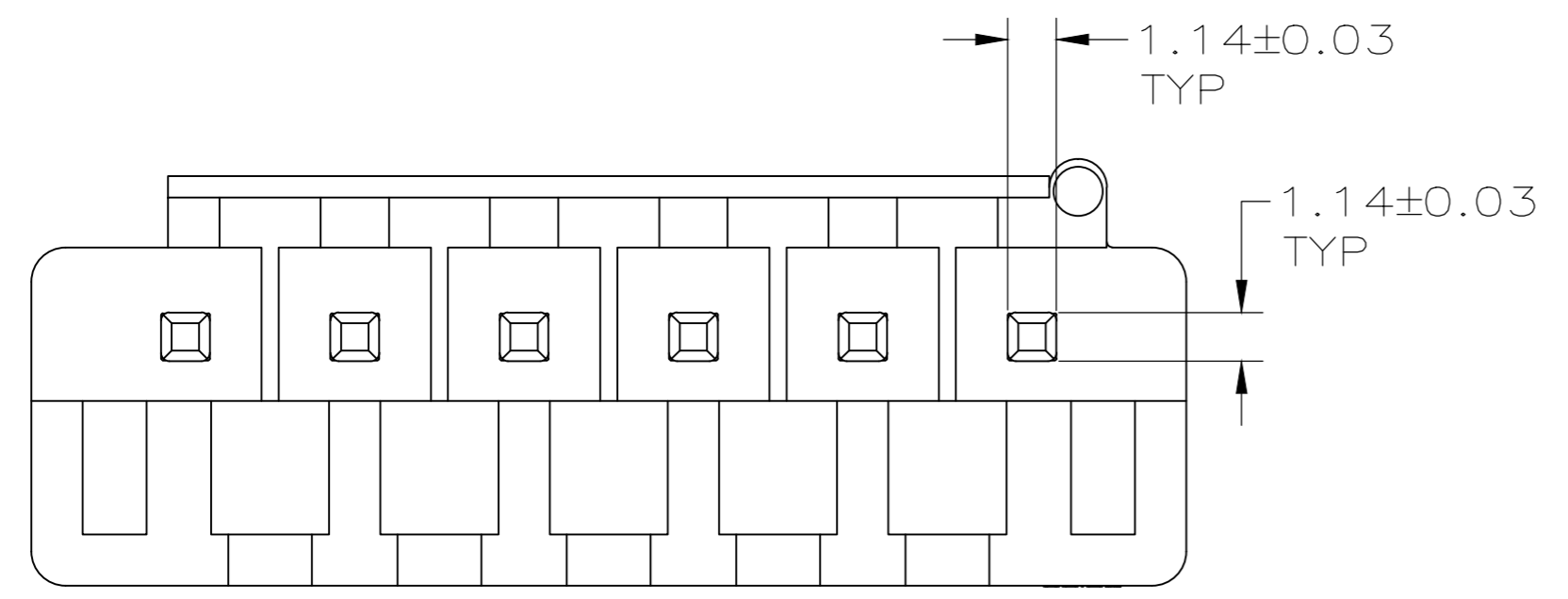
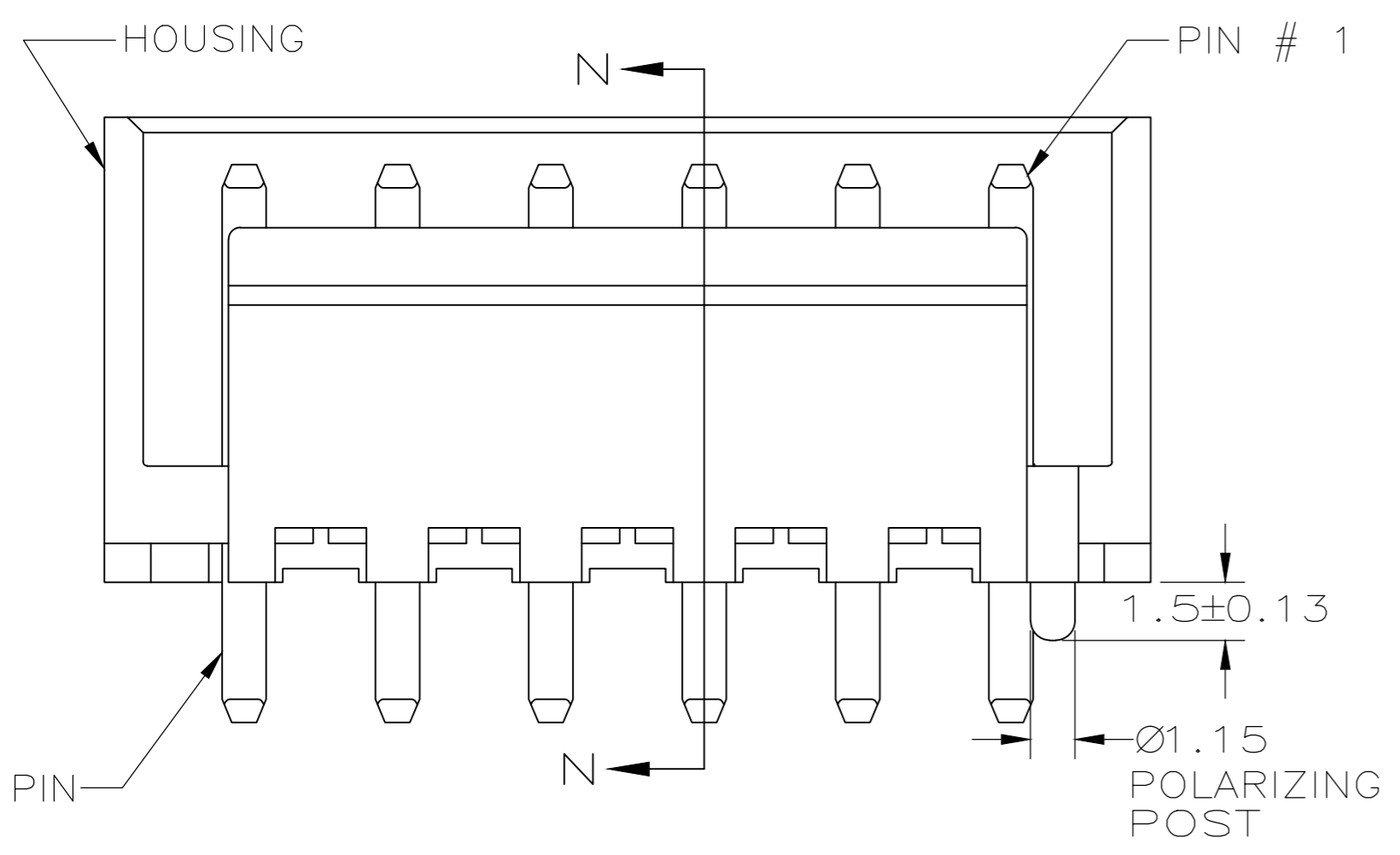
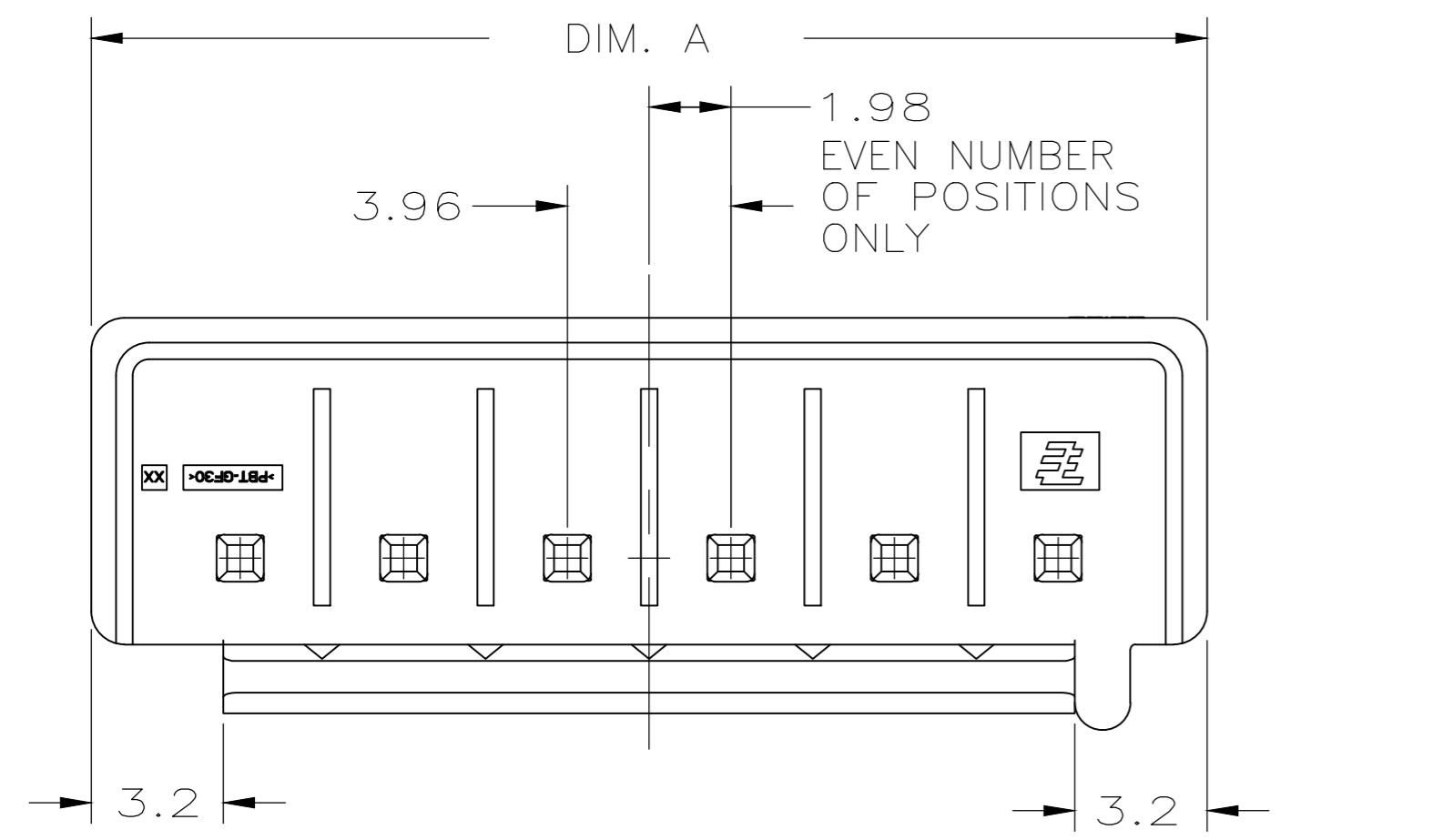


THIS DRAWING IS UNPUBLISHED. RELEASED FOR PUBLICATION - .20 .
 © COPYRIGHT 20 BY - ALL RIGHTS RESERVED.

REVISIONS				
P	LTR	DESCRIPTION	DATE	DWN APVD
B2		REVISED PER ECR-17-005823	15MAY2017	O.C D.Z



△ MATERIAL: HOUSING; NYLON GLASS FILLED UL94V-2
 PIN: BRASS
 △ FINISH: PIN, 1.0µm MIN TIN OVER 0.8µm MIN NICKEL.

- 3 PARTS TESTED TO IEC 60695-2-11 AND IS COMPLAINT TO IEC 60335-1
- 4 HOUSING MATERIAL MEETS MINIMUM GLOW WIRE FLAMMABILITY INDEX OF 850°C PER IEC 60695-2-12 AND MINIMUM GLOW WIRE IGNITION TEMPERATURE OF 775°C PER IEC 60695-2-13.
- 5 SKETCH SHOWS NO PIN MISSING.

34.93	7	8	1-1744427-8
23.05	2	5	1-1744427-5
50.77	-	12	1-1744427-2
46.81	-	11	1-1744427-1
42.85	-	10	1-1744427-0
38.89	-	9	1744427-9
34.93	-	8	1744427-8
30.97	-	7	1744427-7
27.01	-	6	1744427-6
23.05	-	5	1744427-5
19.09	-	4	1744427-4
15.13	-	3	1744427-3
11.17	-	2	1744427-2
DIM. A	OMIT PIN#	POS.	PART NO.

THIS DRAWING IS A CONTROLLED DOCUMENT.		DWN	JR RUTH	09JAN12
DIMENSIONS: mm		CHK	SAM MACE	09JAN12
TOLERANCES UNLESS OTHERWISE SPECIFIED:		APVD	SAM MACE	09JAN12
0 PLC	± -	PRODUCT SPEC		
1 PLC	± -	APPLICATION SPEC		
2 PLC	± 0.10	-		
3 PLC	± -	WEIGHT		
4 PLC	± -	SCALE 6:1		
ANGLES	± -	SHEET 1 OF 1		
FINISH	△ 2	REV B2		

STE

TE Connectivity

SHROUDED HEADER ASSEMBLY,
3.96mm PITCH, ECONOMY POWER (EP)

SIZE A2

CAGE CODE 00779

DRAWING NO. C=1744427

RESTRICTED TO -

X-ON Electronics

Largest Supplier of Electrical and Electronic Components

Click to view similar products for [Headers & Wire Housings](#) category:

Click to view products by [TE Connectivity](#) manufacturer:

Other Similar products are found below :

[95000-104TRLF](#) [10135584-644402LF](#) [DF62W-EP2022PCA](#) [95000-106TRLF](#) [DF62W-2022SCA](#) [DF62W-EP2022PC](#) [2203348](#) [DF62W-2022SC](#) [1084018](#) [1029039](#) [1084017](#) [802-10-012-10-002000](#) [1112640](#) [1112639](#) [000-34000](#) [0009482033](#) [0009507031](#) [57102-S06-03LF](#) [57202-S52-04LF](#) [PCN6-15S-2.5E](#) [0039019024](#) [58102-G61-06LF](#) [582553-1](#) [0009508121](#) [0050291907](#) [018731A](#) [LY20-4P-DT1-P1E-BR](#) [02.125.8002.8](#) [60101931](#) [60598-1 \(Cut Strip\)](#) [M1625-3R/100](#) [61062-3](#) [61082-181009](#) [636-1427](#) [638009-1](#) [641938-9](#) [641991-4](#) [644168-1](#) [647662-1](#) [65039-019ELF](#) [65817-002LF](#) [65817-015LF](#) [65863-015LF](#) [66207-023LF](#) [67016-026LF](#) [67046-001LF](#) [67095-007LF](#) [68002-116](#) [68016-236H](#) [68648-049](#)