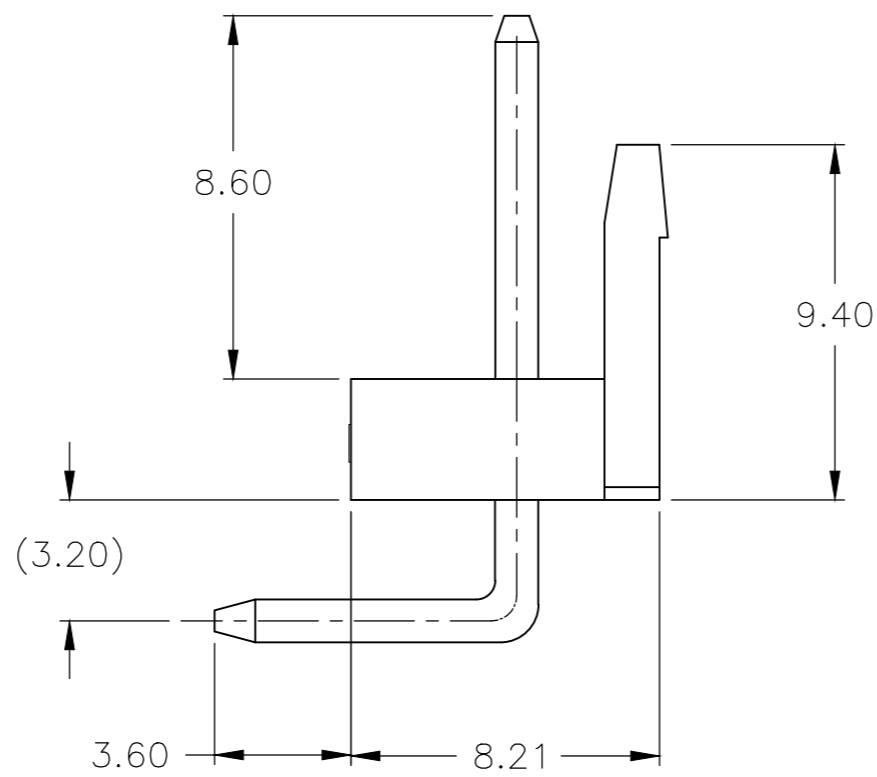
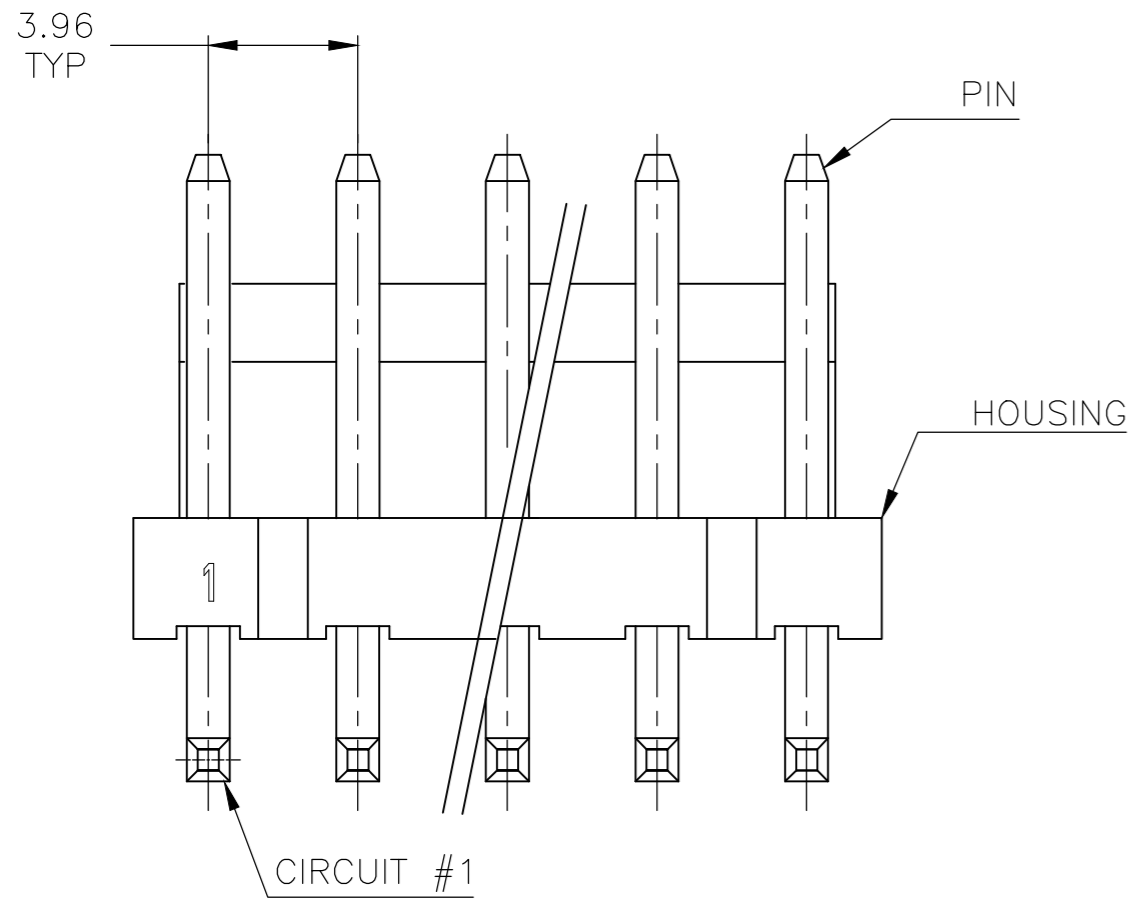
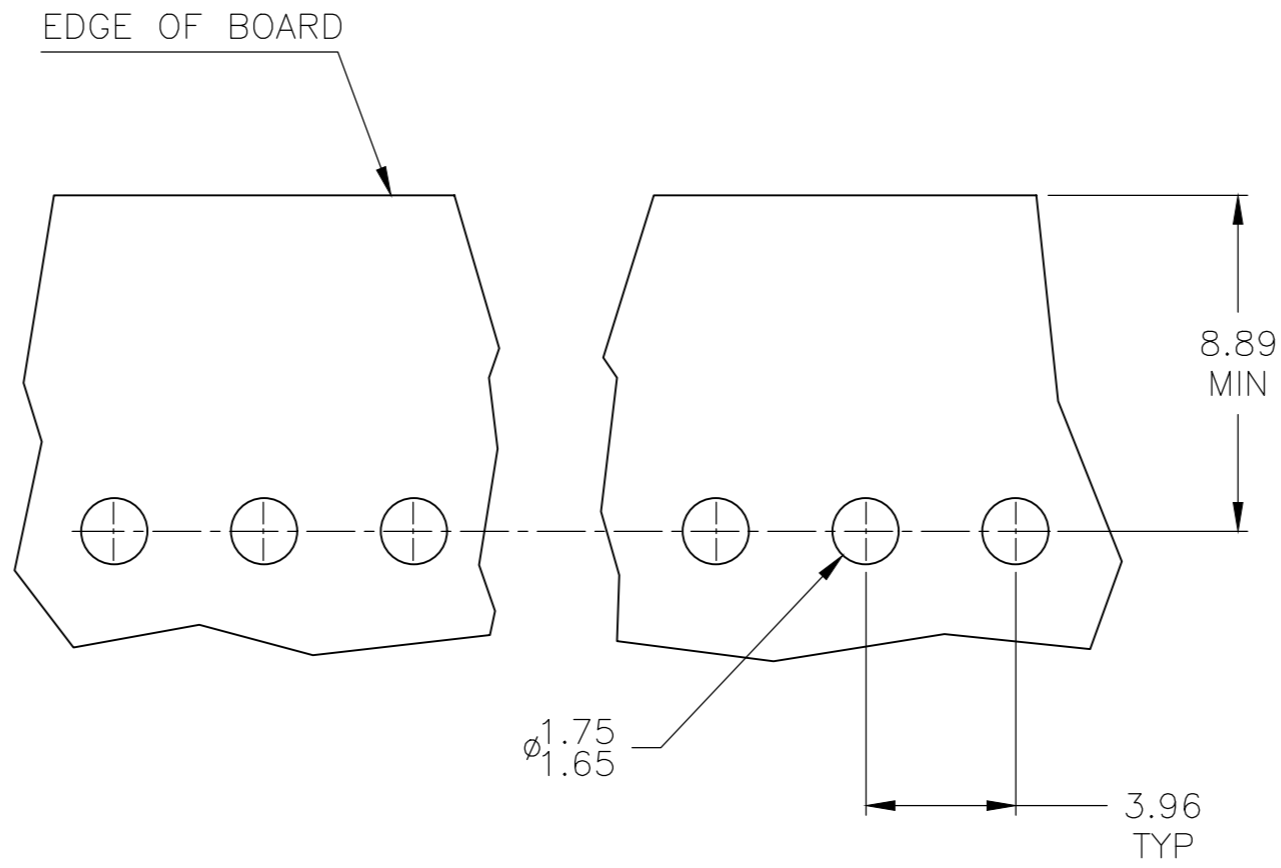
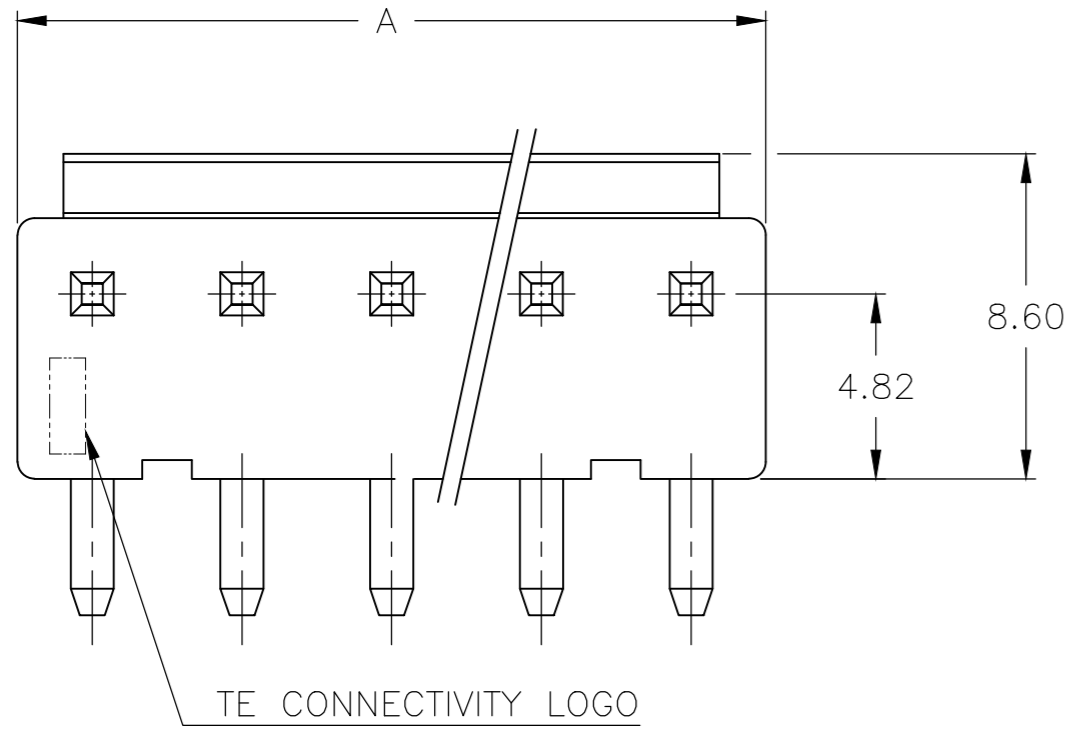


THIS DRAWING IS UNPUBLISHED. RELEASED FOR PUBLICATION
 © COPYRIGHT - By - ALL RIGHTS RESERVED.

REVISIONS				
P	LTR	DESCRIPTION	DATE	APVD
E1		REVISED PER ECR-20-100585	20OCT2020	S.K D.Z

- MATERIAL :
HOUSING : NYLON, UL94-V0
PIN : BRASS.
- FINISH:
PIN : 80u" MIN. TIN PLATED ON CONTACT AREA.
- COMPLY WITH GLOW WIRE REQUIREMENTS FOR PARTS OF NON-METALLIC MATERIAL SUPPORTING A CURRENT-CARRYING CONNECTION DETAILED IN IEC 60335-1, SECTION 30(GWT)



2,5	23.76	6	2-1744428-6
-	47.52	12	1-1744428-2
-	43.56	11	1-1744428-1
-	39.60	10	1-1744428-0
-	35.64	9	1744428-9
-	31.68	8	1744428-8
-	27.72	7	1744428-7
-	23.76	6	1744428-6
-	19.80	5	1744428-5
-	15.84	4	1744428-4
-	11.88	3	1744428-3
-	7.92	2	1744428-2
DIM. A	DIM. A	CIRCUITS	PART NUMBER

THIS DRAWING IS A CONTROLLED DOCUMENT.		DWN JR RUTH 09JAN12	STE TE Connectivity	
DIMENSIONS: mm		CHK SAM MACE 09JAN12		
TOLERANCES UNLESS OTHERWISE SPECIFIED:		APVD SAM MACE 09JAN12	NAME ASSEMBLY, EP HEADER, RIGHT ANGLE	
0 PLC ± - 1 PLC ± - 2 PLC ± 0.20 3 PLC ± - 4 PLC ± - ANGLES ± 30'		PRODUCT SPEC 108-5609	SIZE A2	CAGE CODE 00779
MATERIAL -		FINISH -	DRAWING NO C=1744428	RESTRICTED TO -
		WEIGHT 0.000000	SCALE 5:1	SHEET 1 of 1
		CUSTOMER DRAWING	REV E1	

X-ON Electronics

Largest Supplier of Electrical and Electronic Components

Click to view similar products for [Headers & Wire Housings](#) category:

Click to view products by [TE Connectivity](#) manufacturer:

Other Similar products are found below :

[892-18-020-10-001101](#) [58102-G61-06LF](#) [582553-1](#) [0009485154](#) [009176003701906](#) [0050291907](#) [LY20-4P-DT1-P1E-BR](#) [02.125.8002.8](#)
[609-3404](#) [61062-3](#) [61082-181009](#) [622-3653LF](#) [63453-116](#) [636-1030](#) [636-1427](#) [636-3427](#) [636-4007](#) [641938-9](#) [641991-4](#) [644827-2](#) [65817-](#)
[010LF](#) [65817-015LF](#) [65863-015LF](#) [66207-023LF](#) [67095-007LF](#) [67601157](#) [68645-018](#) [68648-049](#) [70.362.1628.0](#) [70-4210](#) [70-4226B](#) [70-](#)
[4853B](#) [707-5020](#) [707-5028](#) [71.350.2428.0](#) [71918-208LF](#) [71961-016LF](#) [733-134](#) [733-162](#) [754199-000](#) [760-3052](#) [787-8014-00](#) [79531-3000](#)
[FCN-360C032-B](#) [FCN-367T-T012/H](#) [FCN-723D010/2](#) [80.063.4001.1](#) [800-90-001-10-001000](#) [800-90-010-10-002000](#) [801-43-002-10-013000](#)