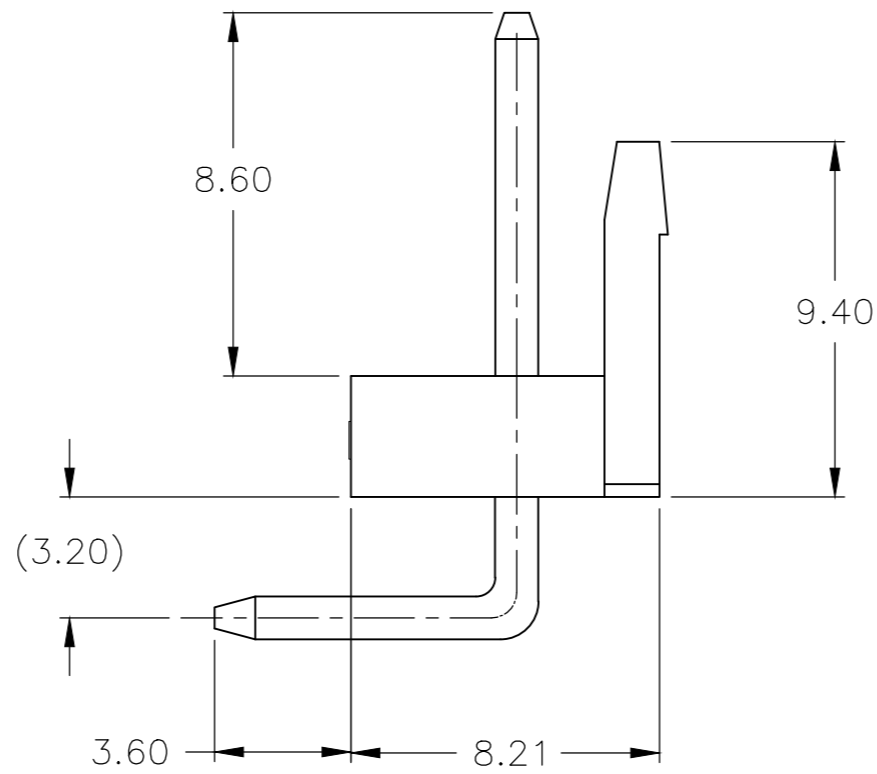
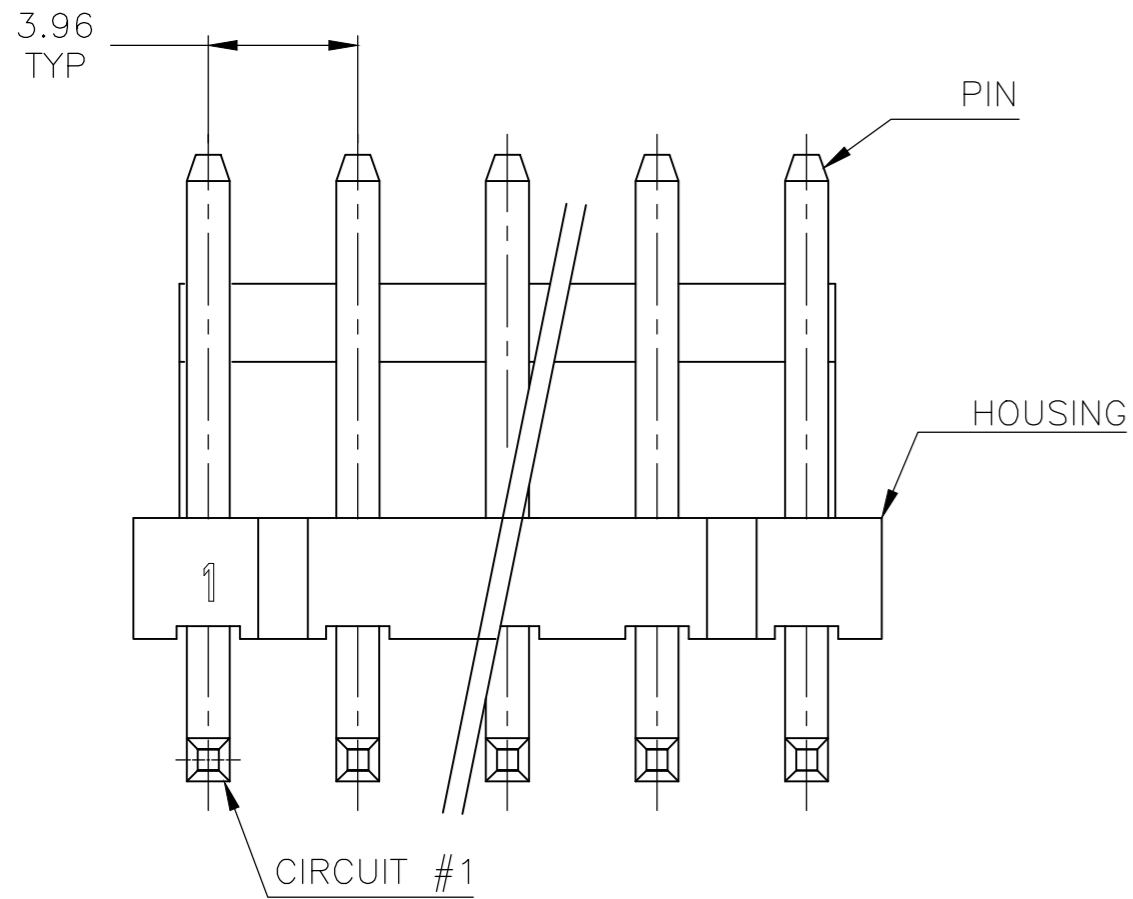
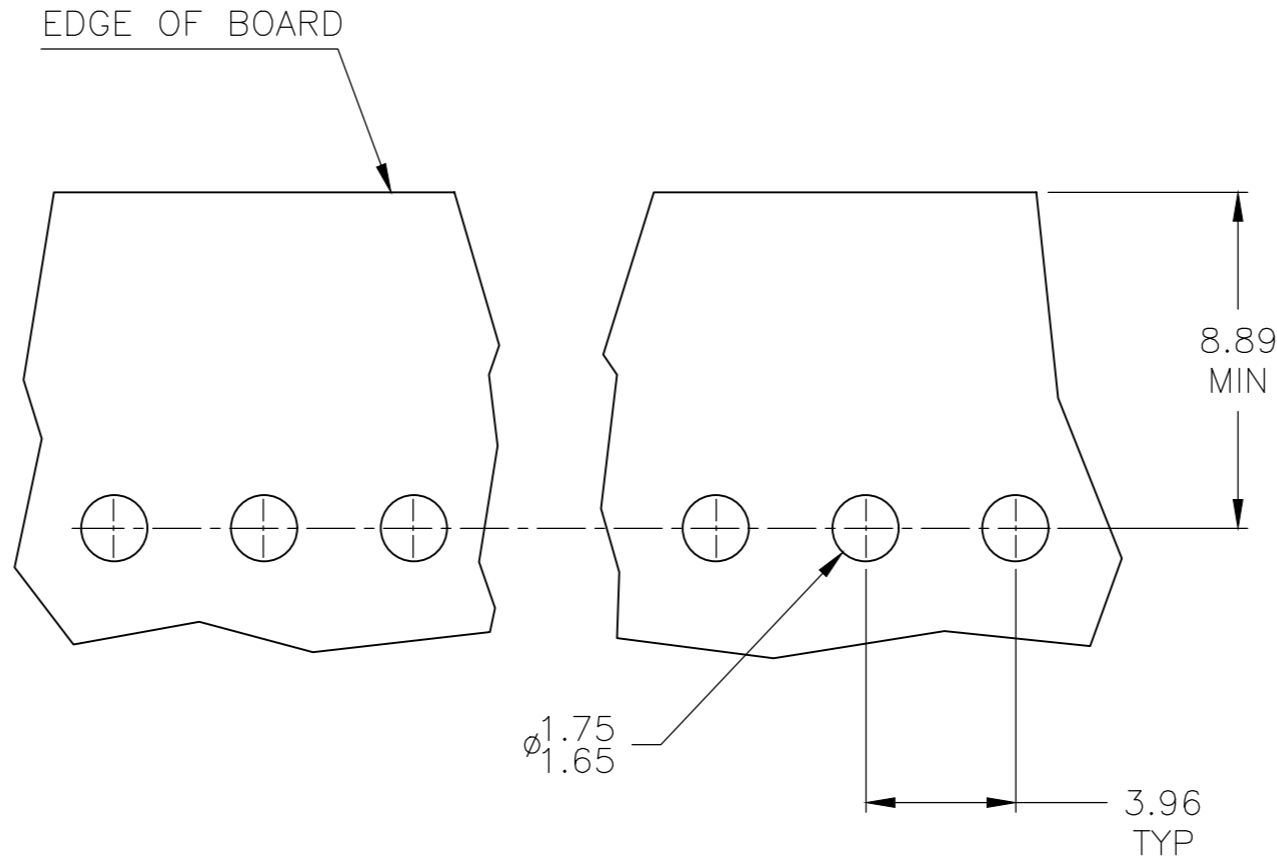
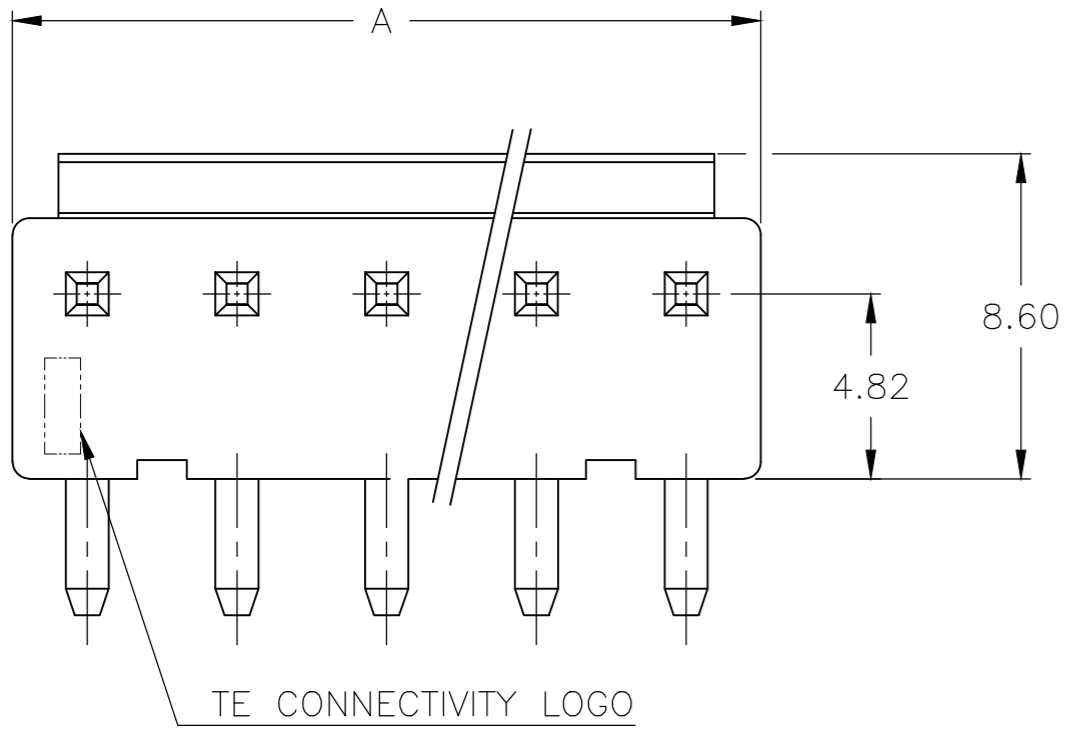


THIS DRAWING IS UNPUBLISHED. RELEASED FOR PUBLICATION
 © COPYRIGHT - By - ALL RIGHTS RESERVED.

REVISIONS				
P	LTR	DESCRIPTION	DATE	APVD
E1		REVISED PER ECR-20-100585	20OCT2020	S.K D.Z

- MATERIAL :
HOUSING : NYLON, UL94-V0
PIN : BRASS.
- FINISH:
PIN : 80u" MIN. TIN PLATED ON CONTACT AREA.
- COMPLY WITH GLOW WIRE REQUIREMENTS FOR PARTS OF NON-METALLIC MATERIAL SUPPORTING A CURRENT-CARRYING CONNECTION DETAILED IN IEC 60335-1, SECTION 30(GWT)



2,5	23.76	6	2-1744428-6
-	47.52	12	1-1744428-2
-	43.56	11	1-1744428-1
-	39.60	10	1-1744428-0
-	35.64	9	1744428-9
-	31.68	8	1744428-8
-	27.72	7	1744428-7
-	23.76	6	1744428-6
-	19.80	5	1744428-5
-	15.84	4	1744428-4
-	11.88	3	1744428-3
-	7.92	2	1744428-2
DIM. A	DIM. A	CIRCUITS	PART NUMBER

THIS DRAWING IS A CONTROLLED DOCUMENT.		DWN	JR RUTH	09JAN12	 TE Connectivity		
DIMENSIONS:		CHK	SAM MACE	09JAN12			
mm		APVD	SAM MACE	09JAN12			
TOLERANCES UNLESS OTHERWISE SPECIFIED:		PRODUCT SPEC	108-5609				
0 PLC ± - 1 PLC ± - 2 PLC ± 0.20 3 PLC ± - 4 PLC ± - ANGLES ± 30'		APPLICATION SPEC	-		NAME	ASSEMBLY, EP HEADER, RIGHT ANGLE	
MATERIAL	-	WEIGHT	0.000000	SCALE	A2	CAGE CODE	00779
FINISH	-	CUSTOMER DRAWING	SCALE		5:1	DRAWING NO	C=1744428
			SHEET	1	OF 1	RESTRICTED TO	-
			REV	E1			

X-ON Electronics

Largest Supplier of Electrical and Electronic Components

Click to view similar products for [Headers & Wire Housings](#) category:

Click to view products by [TE Connectivity](#) manufacturer:

Other Similar products are found below :

[95000-104TRLF](#) [10135584-644402LF](#) [DF62W-EP2022PCA](#) [95000-106TRLF](#) [DF62W-2022SCA](#) [DF62W-EP2022PC](#) [2203348](#) [DF62W-2022SC](#) [1084018](#) [1029039](#) [1084017](#) [802-10-012-10-002000](#) [1112640](#) [1112639](#) [000-34000](#) [0009482033](#) [0009507031](#) [57102-S06-03LF](#) [57202-S52-04LF](#) [PCN6-15S-2.5E](#) [0039019024](#) [58102-G61-06LF](#) [582553-1](#) [0009508121](#) [0050291907](#) [018731A](#) [LY20-4P-DT1-P1E-BR](#) [02.125.8002.8](#) [60101931](#) [60598-1 \(Cut Strip\)](#) [M1625-3R/100](#) [61062-3](#) [61082-181009](#) [636-1427](#) [638009-1](#) [641938-9](#) [641991-4](#) [644168-1](#) [647662-1](#) [65039-019ELF](#) [65817-002LF](#) [65817-015LF](#) [65863-015LF](#) [66207-023LF](#) [67016-026LF](#) [67046-001LF](#) [67095-007LF](#) [68002-116](#) [68016-236H](#) [68648-049](#)