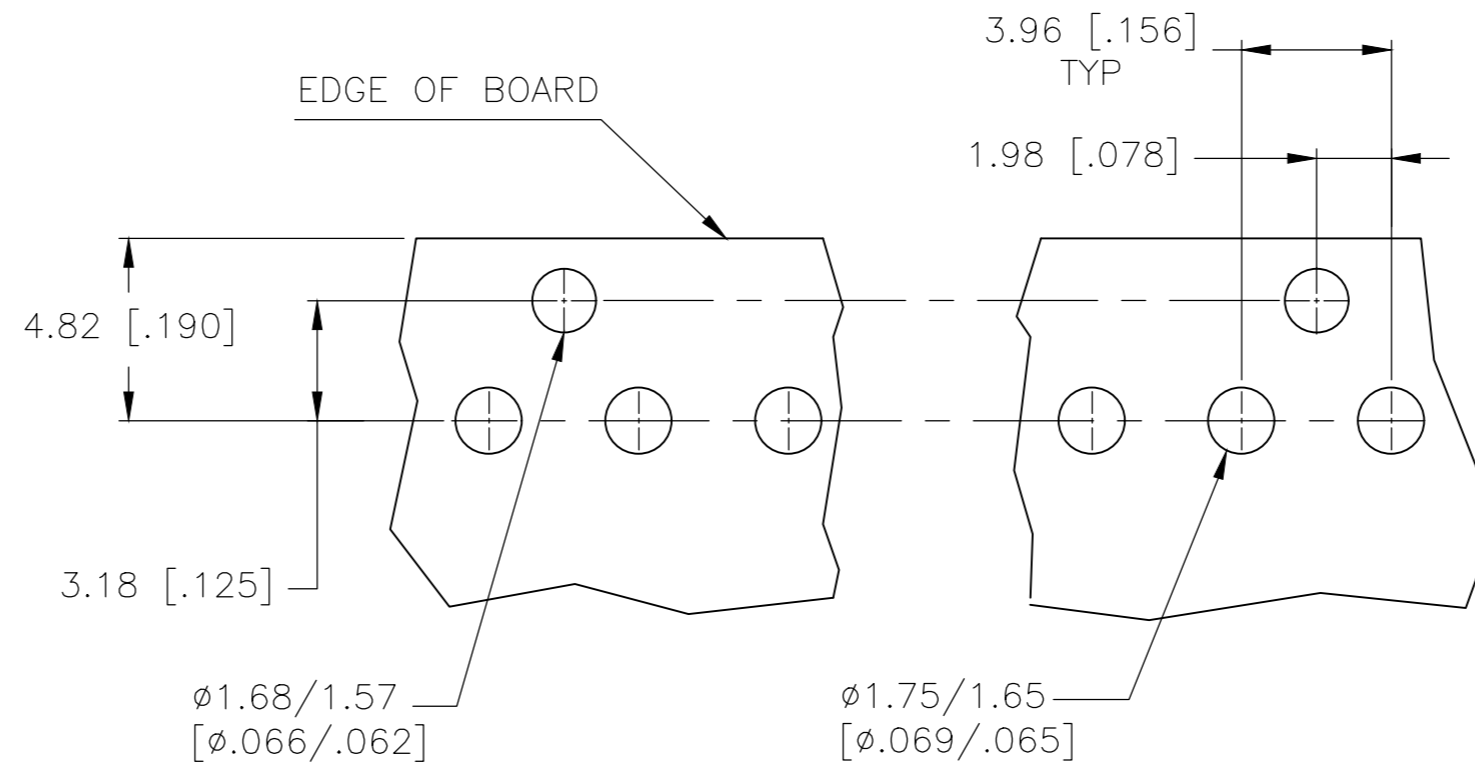
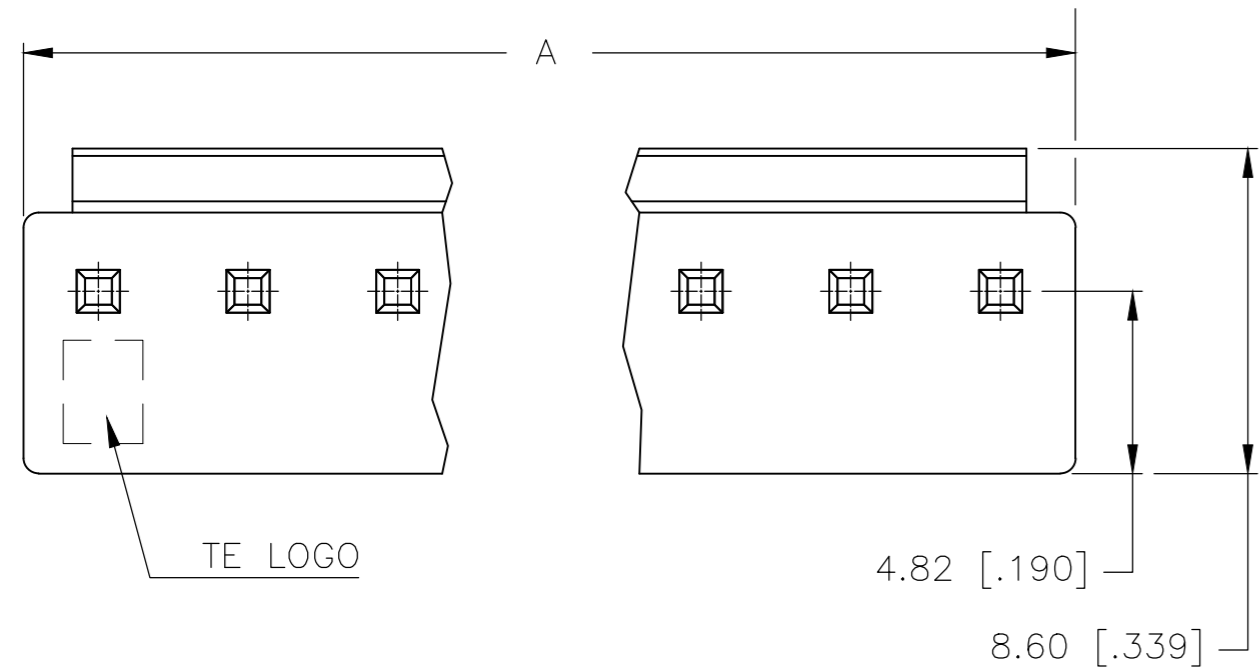


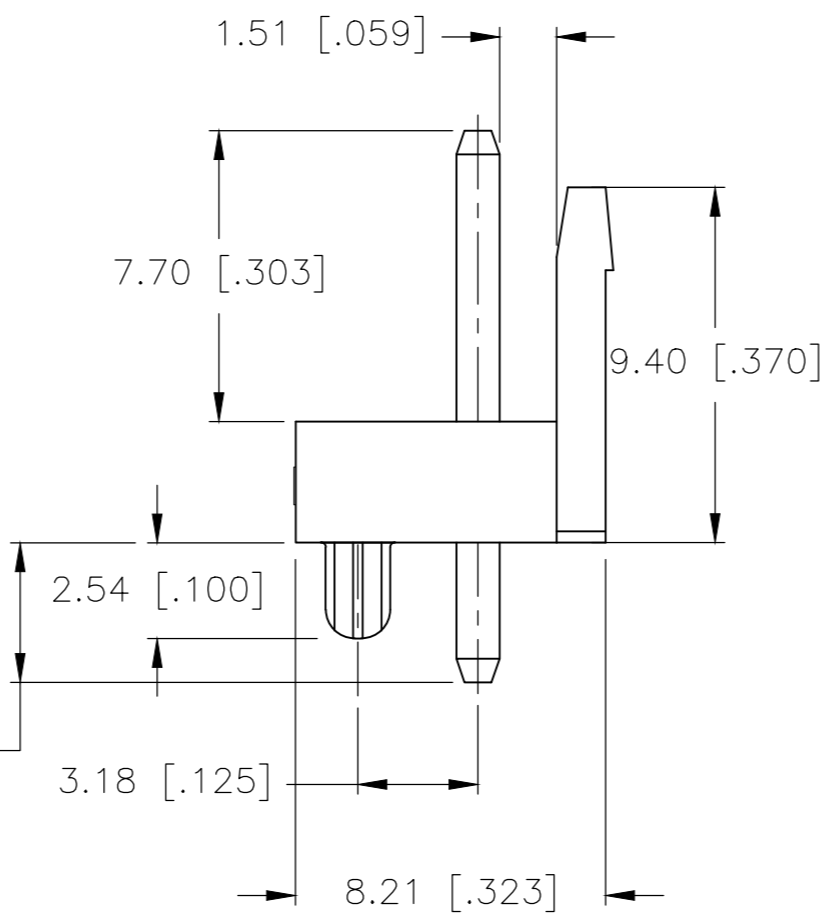
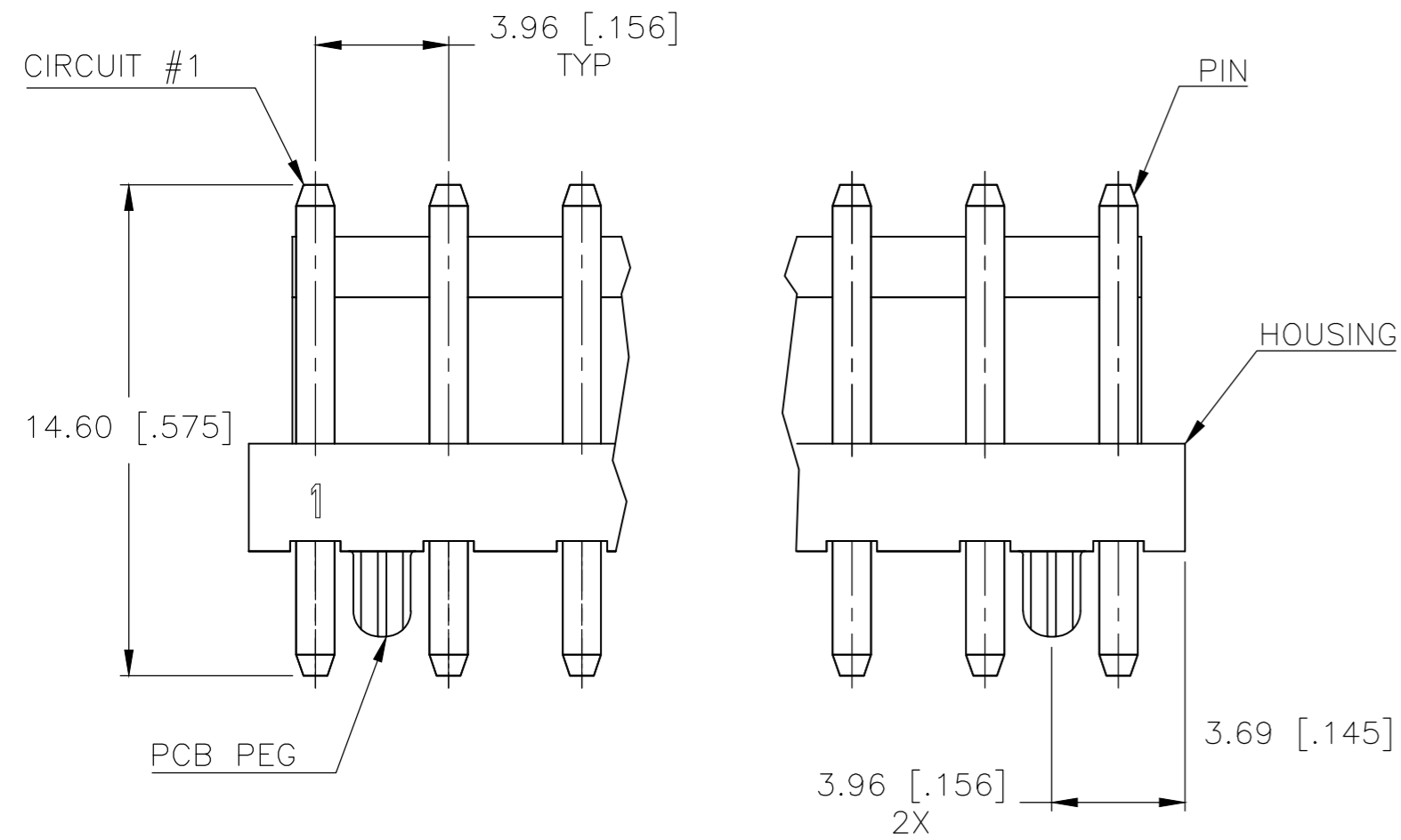
THIS DRAWING IS UNPUBLISHED. RELEASED FOR PUBLICATION
 © COPYRIGHT By - ALL RIGHTS RESERVED.

REVISIONS				
P	LTR	DESCRIPTION	DATE	APVD
D1		REVISED PER ECR-20-100585	20OCT2020	S.K D.Z

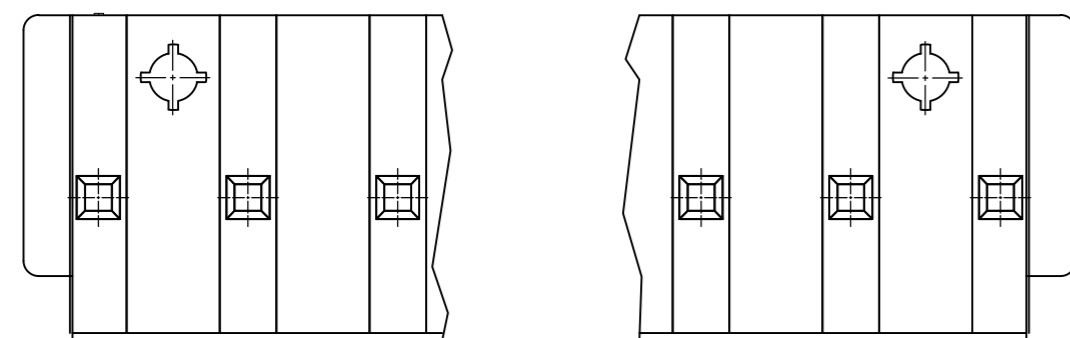


RECOMMENDED MOUNTING HOLE PATTERN FOR 1.60 [.063] THICK PC BOARD

- HOUSING MATERIAL: NYLON, UL94 V0.
 - PIN MATERIAL: BRASS.
 - PIN PLATING: 0.003 [.000120] MIN TIN OVER 0.001 [.000039] MIN NICKEL.
 - 2 POSITION HAS 1 PEG, ALL OTHERS HAVE 2 PEGS.
 - PARTS MEETS IEC 60335-1 GWT (GLOW WIRE TEST) 750°C SPEC.
 - SKETCHES SHOW NO PINS MISSING.
- △ "O" WITH PIN
 "X" WITHOUT PIN.



PIN POSITIONS	NO. OF POSITIONS	COLOR	mm	IN	PART NUMBER
O X O X O X O	7	NATURAL	27.72	[1.091]	1-1744429-7
O X O O X O	6	NATURAL	23.76	[0.935]	2-1744429-6
O O X O O O O O	9	NATURAL	35.64	[1.403]	1-1744429-9
O O X O O O	6	NATURAL	23.76	[0.935]	1-1744429-6
O X O O	4	NATURAL	15.84	[0.624]	1-1744429-4
O X O X O	5	NATURAL	19.80	[0.780]	1-1744429-5
O X O	3	NATURAL	11.88	[0.468]	1-1744429-3
O O O O O O O O O	9	NATURAL	35.64	[1.403]	1744429-9
O O O O O O O O	8	NATURAL	31.68	[1.247]	1744429-8
O O O O O O O	7	NATURAL	27.72	[1.091]	1744429-7
O O O O O O	6	NATURAL	23.76	[0.935]	1744429-6
O O O O O	5	NATURAL	19.80	[0.780]	1744429-5
O O O O	4	NATURAL	15.84	[0.624]	1744429-4
O O O	3	NATURAL	11.88	[0.468]	1744429-3
O O	2	NATURAL	7.92	[0.312]	1744429-2



THIS DRAWING IS A CONTROLLED DOCUMENT.

DWN	JR RUTH	09JAN12
CHK	SAM MACE	09JAN12
APVD	SAM MACE	09JAN12

TE Connectivity

NAME: 108-5609

PRODUCT SPEC: 108-5609

APPLICATION SPEC:

SIZE: A2 CAGE CODE: 00779 DRAWING NO: 1744429 RESTRICTED TO: -

SCALE: 5:1 SHEET: 1 of 1 REV: D1

X-ON Electronics

Largest Supplier of Electrical and Electronic Components

Click to view similar products for [Headers & Wire Housings](#) category:

Click to view products by [TE Connectivity](#) manufacturer:

Other Similar products are found below :

[892-18-020-10-001101](#) [58102-G61-06LF](#) [582553-1](#) [0009485154](#) [009176003701906](#) [0050291907](#) [LY20-4P-DT1-P1E-BR](#) [02.125.8002.8](#)
[609-3404](#) [61062-3](#) [61082-181009](#) [622-3653LF](#) [63453-116](#) [636-1030](#) [636-1427](#) [636-3427](#) [636-4007](#) [641938-9](#) [641991-4](#) [644827-2](#) [65817-](#)
[010LF](#) [65817-015LF](#) [65863-015LF](#) [66207-023LF](#) [67095-007LF](#) [67601157](#) [68645-018](#) [68648-049](#) [70.362.1628.0](#) [70-4210](#) [70-4226B](#) [70-](#)
[4853B](#) [707-5020](#) [707-5028](#) [71.350.2428.0](#) [71918-208LF](#) [71961-016LF](#) [733-134](#) [733-162](#) [754199-000](#) [760-3052](#) [787-8014-00](#) [79531-3000](#)
[FCN-360C032-B](#) [FCN-367T-T012/H](#) [FCN-723D010/2](#) [80.063.4001.1](#) [800-90-001-10-001000](#) [800-90-010-10-002000](#) [801-43-002-10-013000](#)