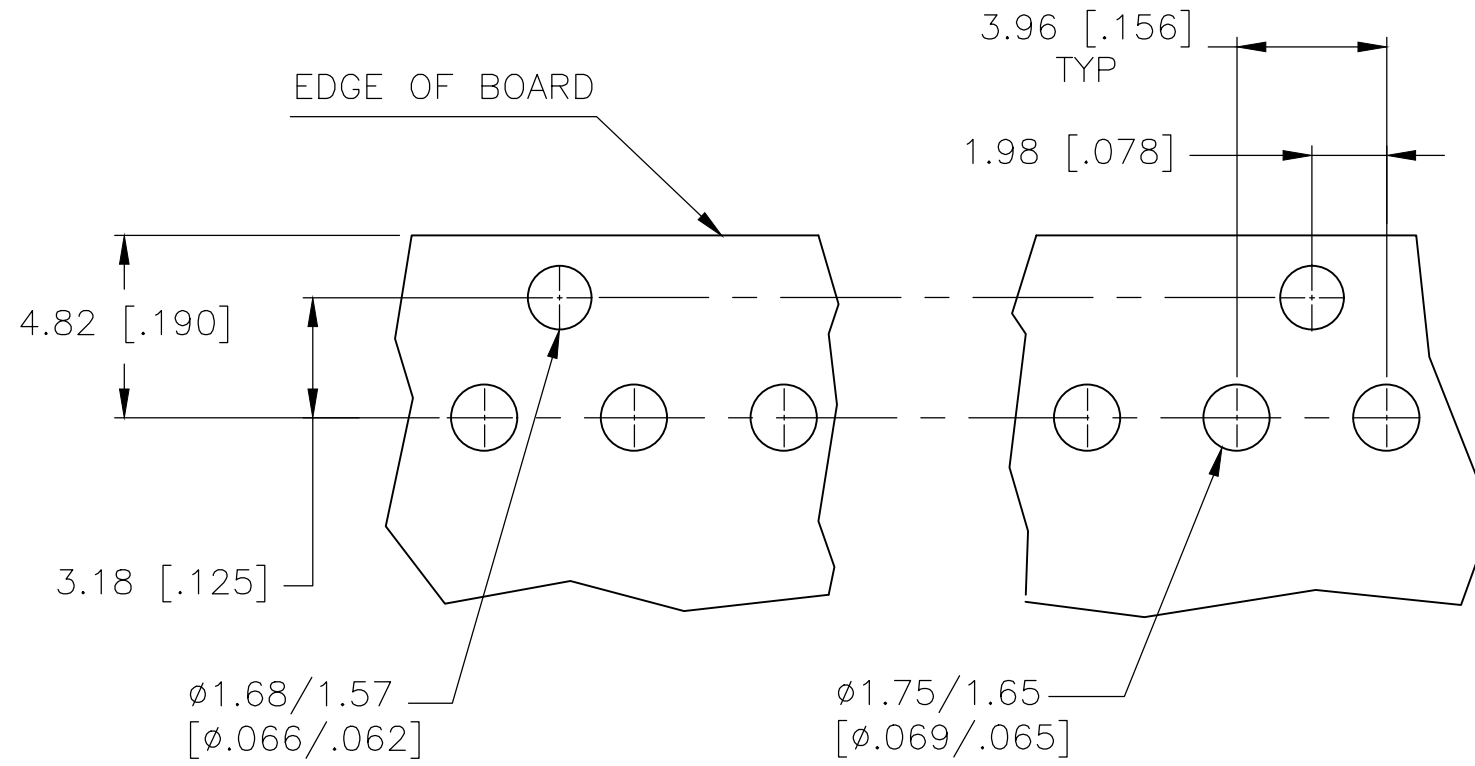
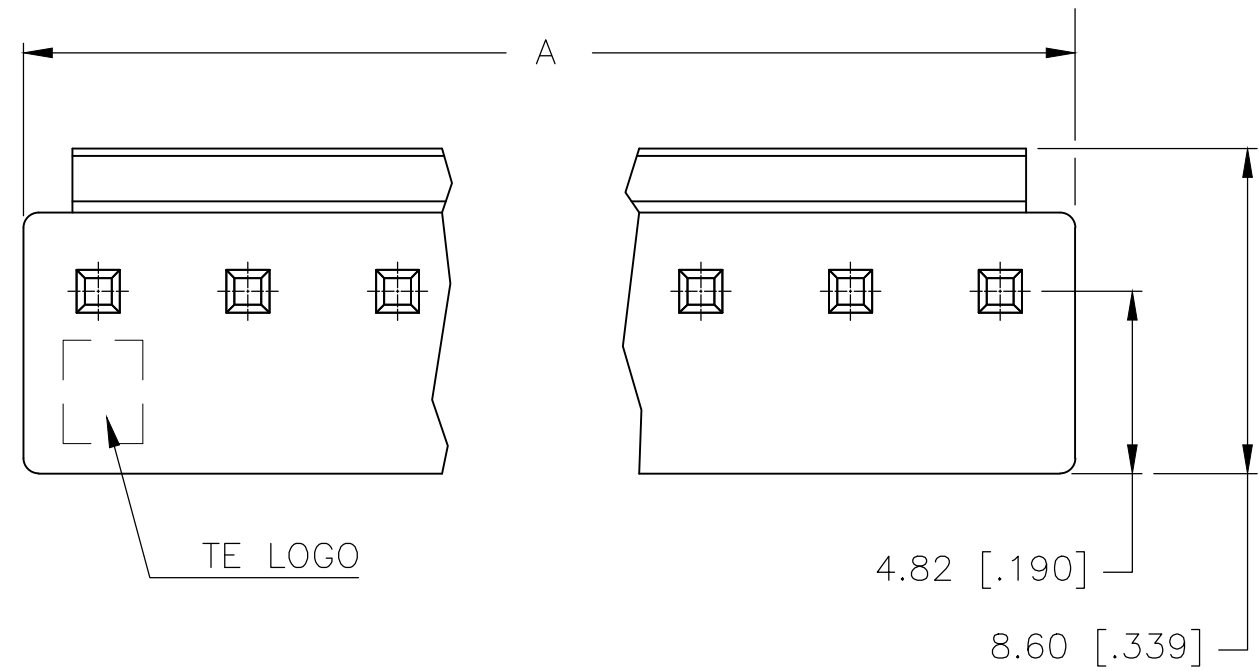


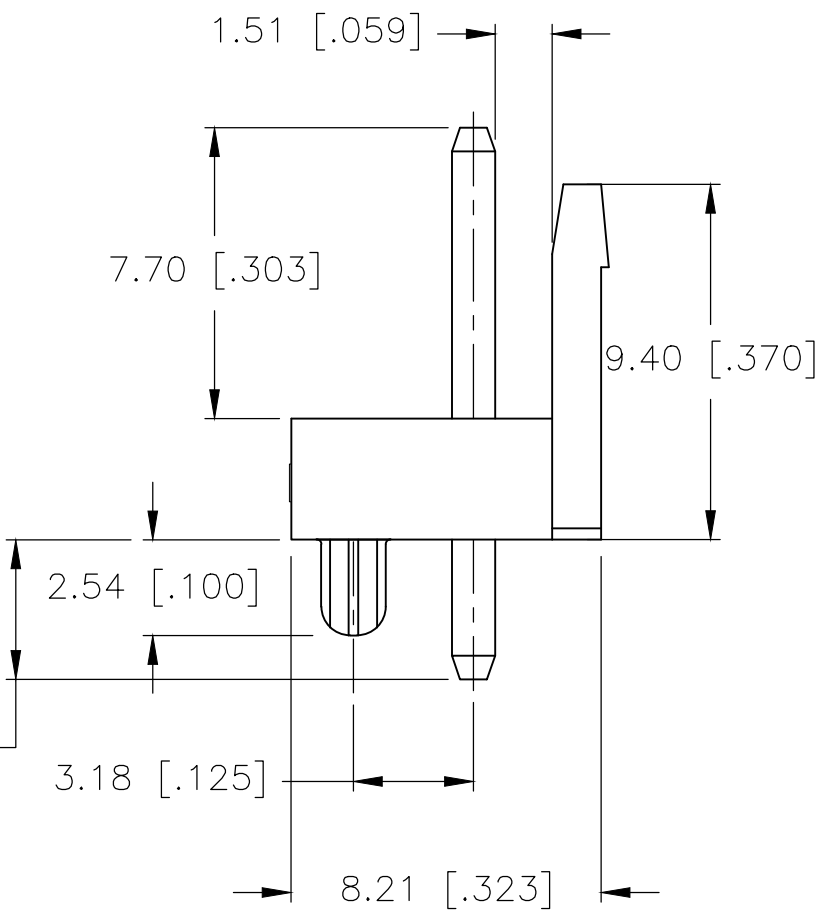
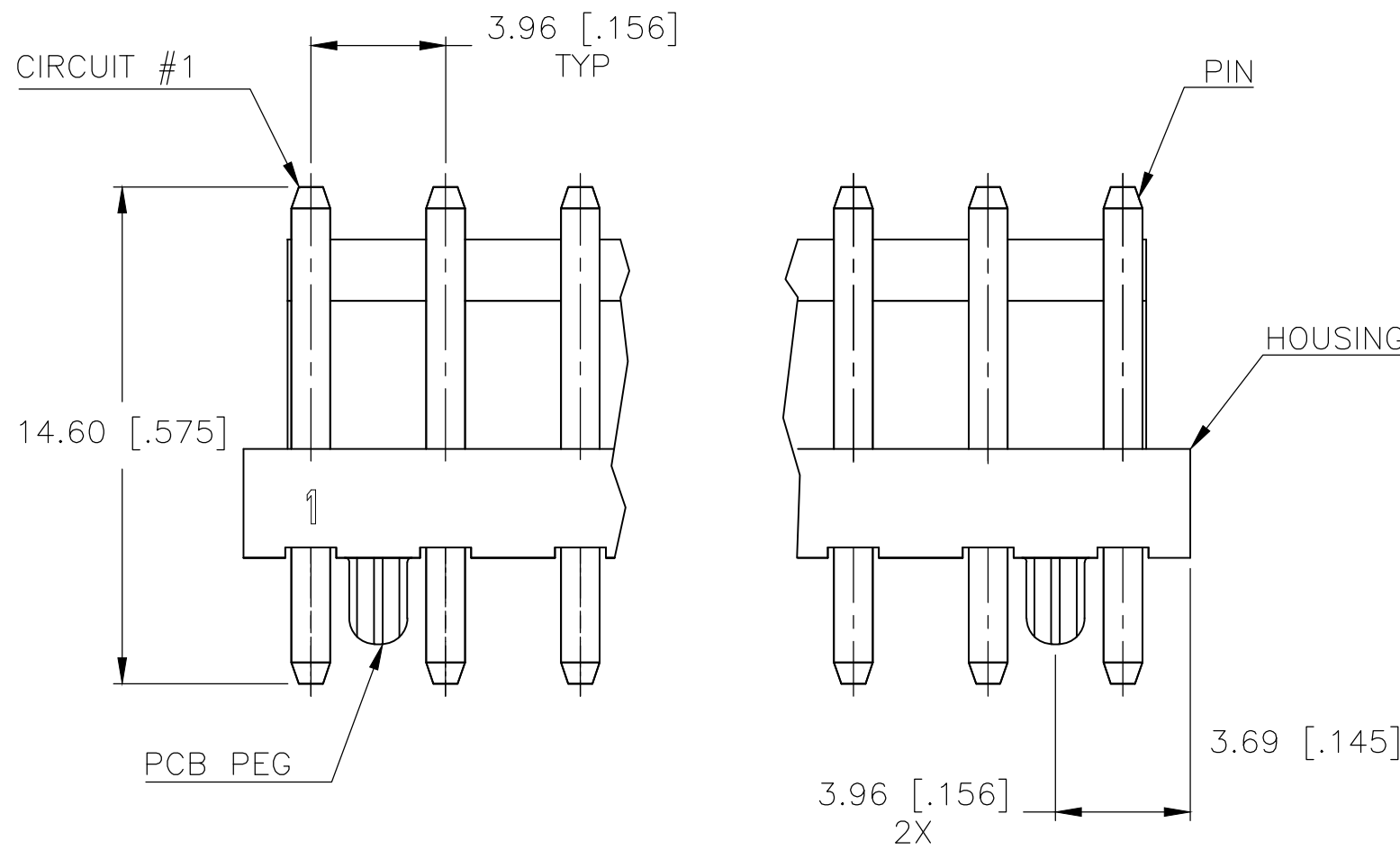
THIS DRAWING IS UNPUBLISHED. RELEASED FOR PUBLICATION
 © COPYRIGHT By - ALL RIGHTS RESERVED.

| REVISIONS | | | | |
|-----------|-----|---------------------------|-----------|---------|
| P | LTR | DESCRIPTION | DATE | APVD |
| D1 | | REVISED PER ECR-20-100585 | 20OCT2020 | S.K D.Z |

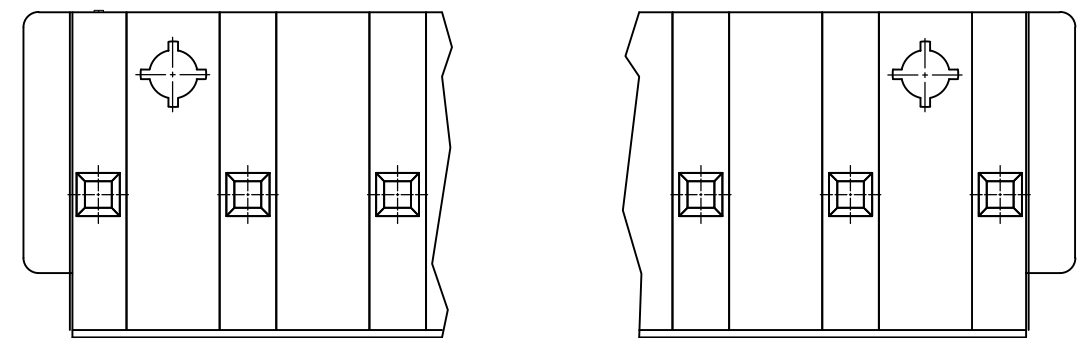


RECOMMENDED MOUNTING HOLE PATTERN FOR 1.60 [.063] THICK PC BOARD

- HOUSING MATERIAL: NYLON, UL94 V0.
 - PIN MATERIAL: BRASS.
 - PIN PLATING: 0.003 [.000120] MIN TIN OVER 0.001 [.000039] MIN NICKEL.
 - 2 POSITION HAS 1 PEG, ALL OTHERS HAVE 2 PEGS.
 - PARTS MEETS IEC 60335-1 GWT (GLOW WIRE TEST) 750°C SPEC.
 - SKETCHES SHOW NO PINS MISSING.
- △ "O" WITH PIN
 "X" WITHOUT PIN.



| PIN POSITIONS | NO. OF POSITIONS | COLOR | mm | IN | PART NUMBER |
|-------------------|------------------|---------|-------|---------|-------------|
| O X O X O X O | 7 | NATURAL | 27.72 | [1.091] | 1-1744429-7 |
| O X O O X O | 6 | NATURAL | 23.76 | [0.935] | 2-1744429-6 |
| O O X O O O O O | 9 | NATURAL | 35.64 | [1.403] | 1-1744429-9 |
| O O X O O O | 6 | NATURAL | 23.76 | [0.935] | 1-1744429-6 |
| O X O O | 4 | NATURAL | 15.84 | [0.624] | 1-1744429-4 |
| O X O X O | 5 | NATURAL | 19.80 | [0.780] | 1-1744429-5 |
| O X O | 3 | NATURAL | 11.88 | [0.468] | 1-1744429-3 |
| O O O O O O O O O | 9 | NATURAL | 35.64 | [1.403] | 1744429-9 |
| O O O O O O O O | 8 | NATURAL | 31.68 | [1.247] | 1744429-8 |
| O O O O O O O | 7 | NATURAL | 27.72 | [1.091] | 1744429-7 |
| O O O O O O | 6 | NATURAL | 23.76 | [0.935] | 1744429-6 |
| O O O O O | 5 | NATURAL | 19.80 | [0.780] | 1744429-5 |
| O O O O | 4 | NATURAL | 15.84 | [0.624] | 1744429-4 |
| O O O | 3 | NATURAL | 11.88 | [0.468] | 1744429-3 |
| O O | 2 | NATURAL | 7.92 | [0.312] | 1744429-2 |



THIS DRAWING IS A CONTROLLED DOCUMENT.

DIMENSIONS: mm [INCHES]

TOLERANCES UNLESS OTHERWISE SPECIFIED:

| | |
|--------|---------------|
| 0 PLC | ± |
| 1 PLC | ± 0.5 [.020] |
| 2 PLC | ± 0.30 [.012] |
| 3 PLC | ± - |
| 4 PLC | ± - |
| ANGLES | ± |
| FINISH | ± |

MATERIAL: SEE NOTES

THIS DRAWING IS A CONTROLLED DOCUMENT. DWN JR RUTH 09JAN12, CHK SAM MACE 09JAN12, APVD SAM MACE 09JAN12, PRODUCT SPEC 108-5609, APPLICATION SPEC

NAME: TE Connectivity

PRODUCT SPEC: 108-5609

SIZE: A2, CAGE CODE: 00779, DRAWING NO: 1744429, RESTRICTED TO: -

CUSTOMER DRAWING, SCALE: 5:1, SHEET: 1 OF 1, REV: D1

X-ON Electronics

Largest Supplier of Electrical and Electronic Components

Click to view similar products for [Headers & Wire Housings](#) category:

Click to view products by [TE Connectivity](#) manufacturer:

Other Similar products are found below :

[892-18-020-10-001101](#) [58102-G61-06LF](#) [582553-1](#) [0009485154](#) [009176003701906](#) [0050291907](#) [LY20-4P-DT1-P1E-BR](#) [02.125.8002.8](#)
[609-3404](#) [61062-3](#) [61082-181009](#) [622-3653LF](#) [63453-116](#) [636-1030](#) [636-1427](#) [636-3427](#) [636-4007](#) [641938-9](#) [641991-4](#) [644827-2](#) [65817-](#)
[010LF](#) [65817-015LF](#) [65863-015LF](#) [66207-023LF](#) [67095-007LF](#) [67601157](#) [68645-018](#) [68648-049](#) [70.362.1628.0](#) [70-4210](#) [70-4226B](#) [70-](#)
[4853B](#) [707-5020](#) [707-5028](#) [71.350.2428.0](#) [71918-208LF](#) [71961-016LF](#) [733-134](#) [733-162](#) [754199-000](#) [760-3052](#) [787-8014-00](#) [79531-3000](#)
[FCN-360C032-B](#) [FCN-367T-T012/H](#) [FCN-723D010/2](#) [80.063.4001.1](#) [800-90-001-10-001000](#) [800-90-010-10-002000](#) [801-43-002-10-013000](#)