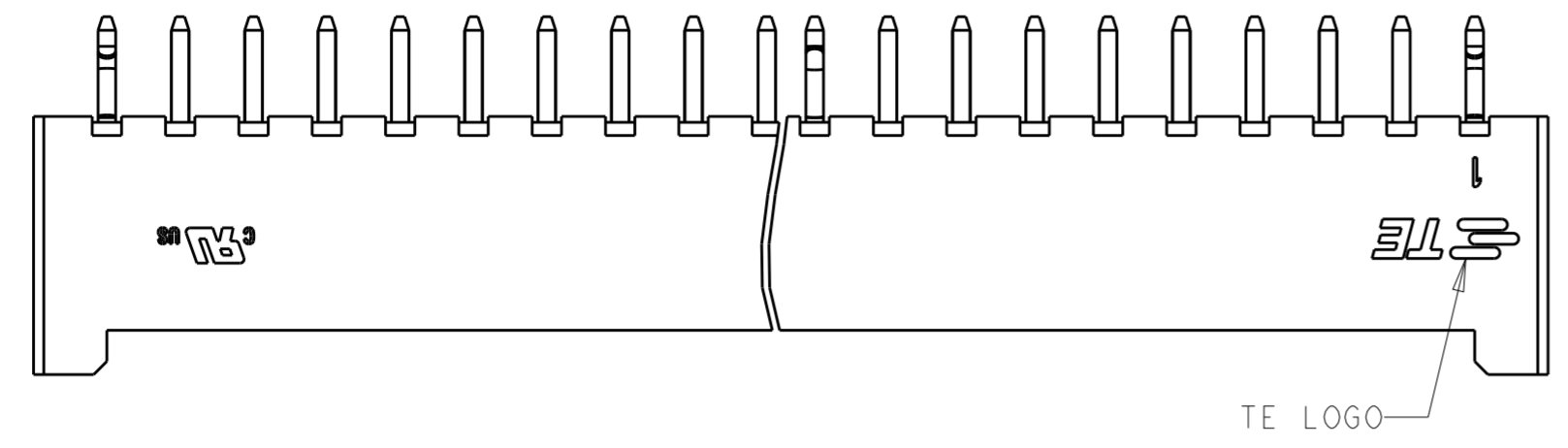
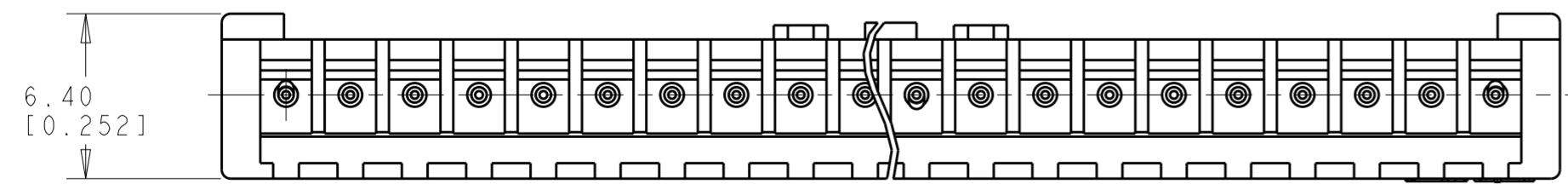
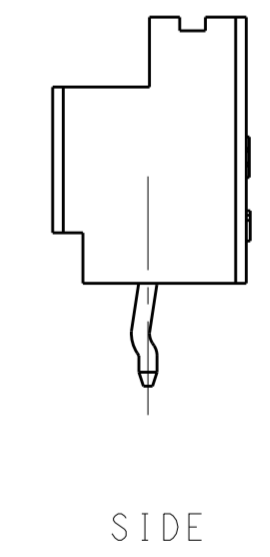
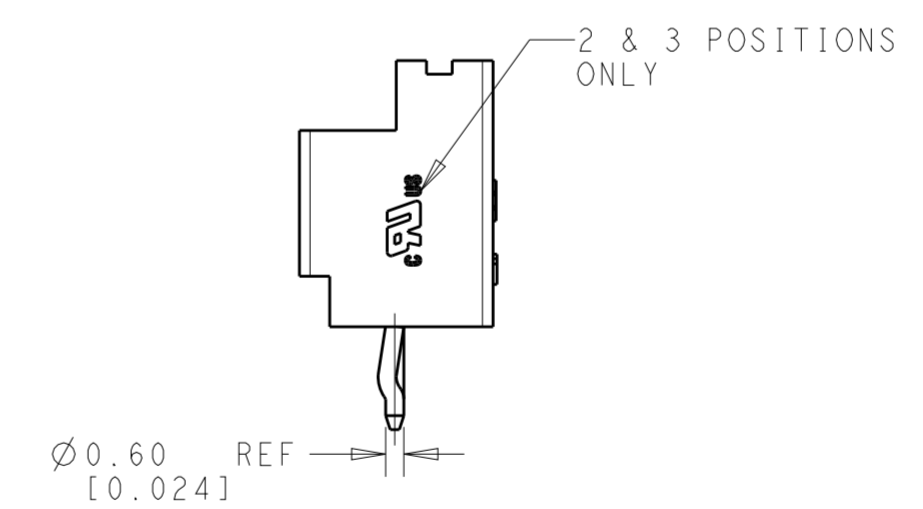
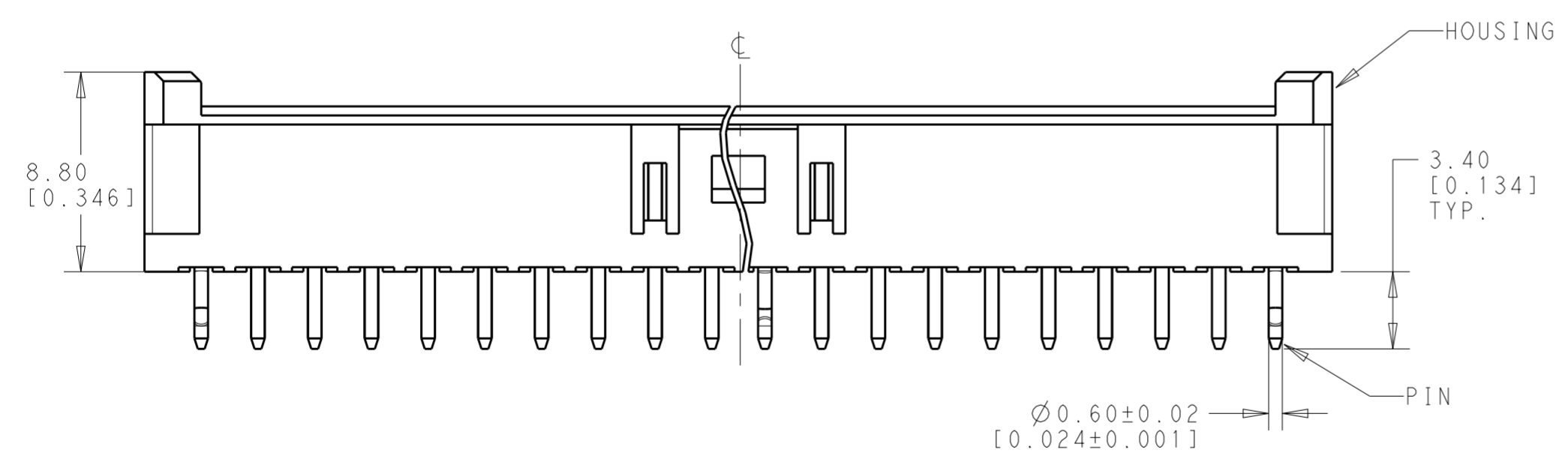
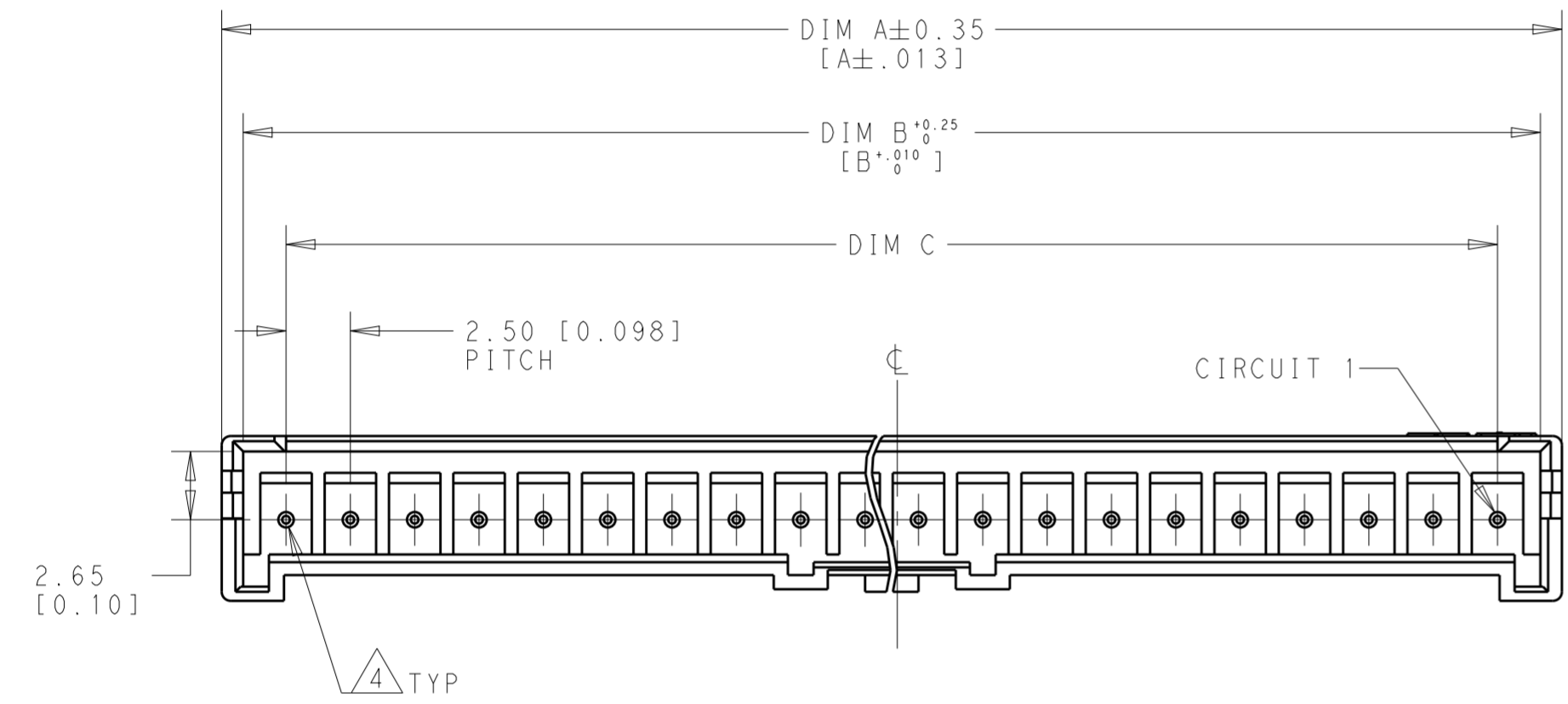


THIS DRAWING IS UNPUBLISHED. RELEASED FOR PUBLICATION 20  
 © COPYRIGHT 20 BY - ALL RIGHTS RESERVED.

| REVISIONS |     |                           |           |         |
|-----------|-----|---------------------------|-----------|---------|
| P         | LTR | DESCRIPTION               | DATE      | APVD    |
|           | D4  | REVISED PER ECR-17-013791 | 30DEC2017 | W.H D.Z |
|           |     |                           |           |         |
|           |     |                           |           |         |



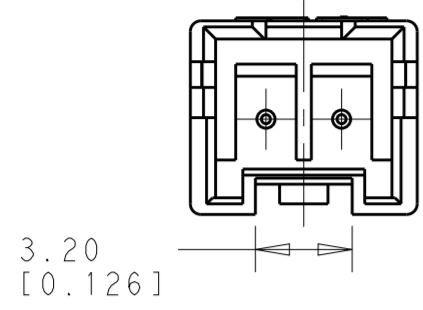
- 1 MATERIAL: HIGH PERFORMANCE RESIN, UL94 VO, COLOR: NATURAL
- 2 PARTS TESTED TO IEC 60695-2-11 AND IS COMPLIANT TO IEC 60335-1.
- 3 HOUSING MATERIAL MEETS MINIMUM GLOW WIRE FLAMMABILITY INDEX OF 850°C PER IEC 60695-2-12 AND MINIMUM GLOW WIRE IGNITION TEMPERATURE OF 775°C PER IEC 60695-2-13.
- 4 POST RETENTION: 20 NEWTONS [4.5 LBF] MIN.



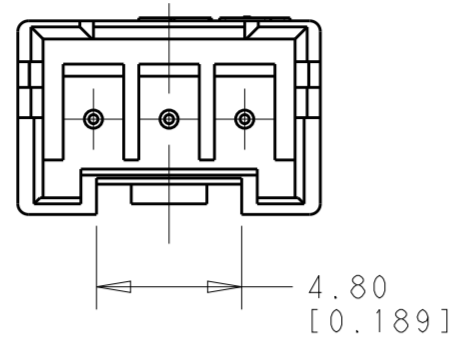
|  |             |                                      |   |
|--|-------------|--------------------------------------|---|
| THIS DRAWING IS A CONTROLLED DOCUMENT. |             | DWN 08 JUN 2016<br>NAGALAKSHMI K     | TE Connectivity   |
| DIMENSIONS:<br>mm [INCHES]             |             | CHK 08 JUN 2016<br>CHIARELLI DAVIDE  |   |
| TOLERANCES UNLESS OTHERWISE SPECIFIED: |             | APVD 08 JUN 2016<br>CHIARELLI DAVIDE | NAME<br>HEADER ASSEMBLY, VERTICAL, ECONOMY POWER, 2.5mm CENTERLINE, GLOW WIRE |
| 0 PLC ±0.50                            | 1 PLC ±0.30 | PRODUCT SPEC<br>108-2418 4           | SIZE CAGE CODE DRAWING NO RESTRICTED TO                                       |
| 2 PLC ±0.20                            | 3 PLC ±0.10 | APPLICATION SPEC<br>114-13315        | A200779 C-1744439   |
| 4 PLC ±                                | ANGLES ±3°  | WEIGHT -                             | SCALE 4:1 SHEET 1 OF 2 REV D4   |
| MATERIAL -                             | FINISH -    | CUSTOMER DRAWING                     |   |

THIS DRAWING IS UNPUBLISHED. RELEASED FOR PUBLICATION 20  
 © COPYRIGHT 20 BY - ALL RIGHTS RESERVED.

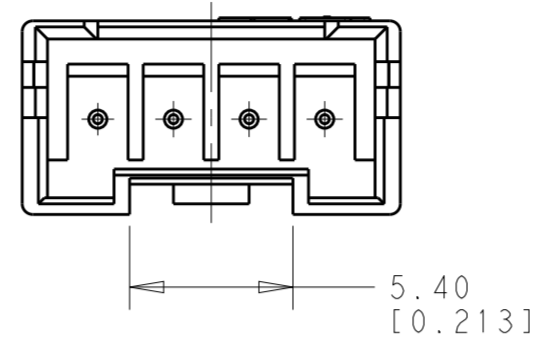
| REVISIONS |     |             |      |      |
|-----------|-----|-------------|------|------|
| P         | LTR | DESCRIPTION | DATE | APVD |
| -         | -   | SEE SHEET 1 | -    | -    |
|           |     |             |      |      |
|           |     |             |      |      |



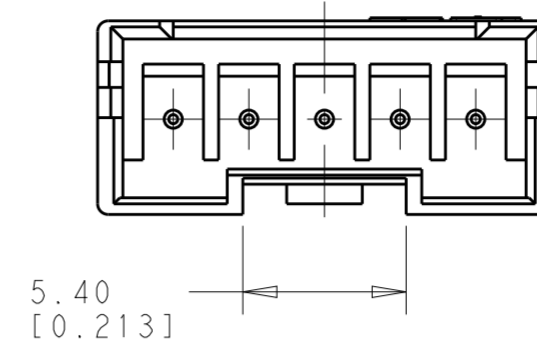
2 POSITION



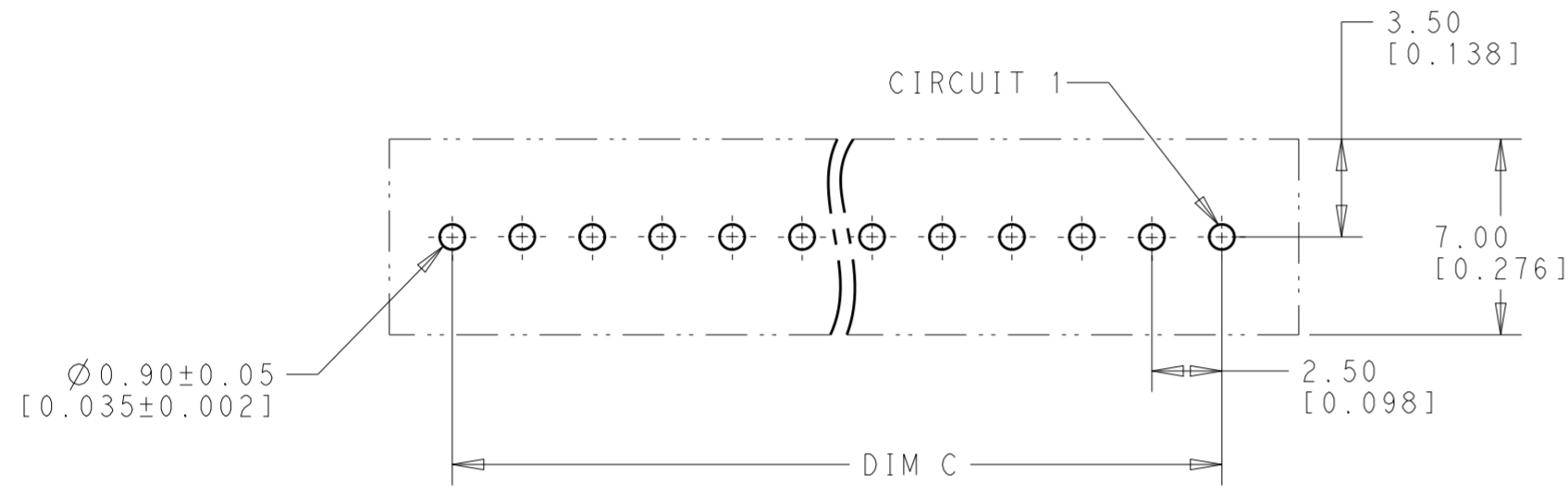
3 POSITION



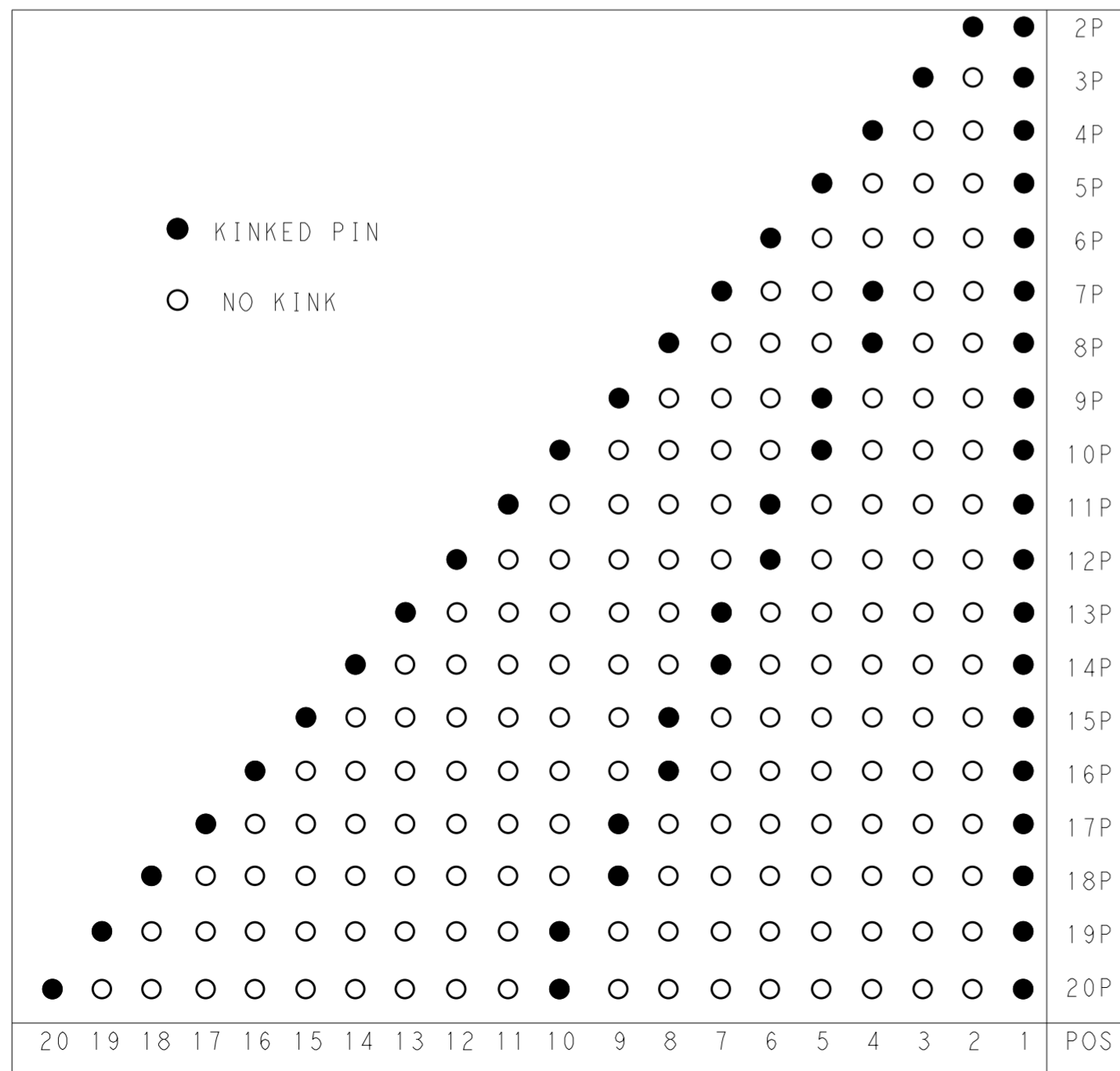
4 POSITION



5 POSITION



RECOMMENDED PCB LAYOUT



|              |              |              |     |             |
|--------------|--------------|--------------|-----|-------------|
| 47.5 [1.870] | 50.83[2.001] | 52.5 [2.067] | 20  | 2-1744439-0 |
| 45.0 [1.772] | 48.33[1.903] | 50.0 [1.968] | 19  | 1-1744439-9 |
| 42.5 [1.673] | 45.83[1.804] | 47.5 [1.870] | 18  | 1-1744439-8 |
| 40.0 [1.575] | 43.33[1.706] | 45.0 [1.772] | 17  | 1-1744439-7 |
| 37.5 [1.476] | 40.83[1.607] | 42.5 [1.673] | 16  | 1-1744439-6 |
| 35.0 [1.378] | 38.33[1.510] | 40.0 [1.575] | 15  | 1-1744439-5 |
| 32.5 [1.280] | 35.83[1.411] | 37.5 [1.476] | 14  | 1-1744439-4 |
| 30.0 [1.181] | 33.33[1.312] | 35.0 [1.378] | 13  | 1-1744439-3 |
| 27.5 [1.083] | 30.83[1.214] | 32.5 [1.280] | 12  | 1-1744439-2 |
| 25.0 [.984]  | 28.33[1.115] | 30.0 [1.181] | 11  | 1-1744439-1 |
| 22.5 [.886]  | 25.83[1.016] | 27.5 [1.083] | 10  | 1-1744439-0 |
| 20.0 [.787]  | 23.33[.919]  | 25.0 [.984]  | 9   | 1744439-9   |
| 17.5 [.689]  | 20.83[.820]  | 22.5 [.886]  | 8   | 1744439-8   |
| 15.0 [.591]  | 18.33[.722]  | 20.0 [.787]  | 7   | 1744439-7   |
| 12.5 [.492]  | 15.83[.623]  | 17.5 [.689]  | 6   | 1744439-6   |
| 10.0 [.395]  | 13.33[.525]  | 15.0 [.591]  | 5   | 1744439-5   |
| 7.5 [.295]   | 10.83[.426]  | 12.5 [.492]  | 4   | 1744439-4   |
| 5.0 [.197]   | 8.33[.328]   | 10.0 [.395]  | 3   | 1744439-3   |
| 2.5 [.098]   | 5.83[.229]   | 7.5 [.295]   | 2   | 1744439-2   |
| DIM C        | DIM B        | DIM A        | POS | PART NO     |

THIS DRAWING IS A CONTROLLED DOCUMENT.

DWN: NAGALAKSHMI K. 08 JUN 2016  
 CHK: CHIARELLI DAVIDE 08 JUN 2016  
 APVD: CHIARELLI DAVIDE 08 JUN 2016

TE Connectivity

NAME: HEADER ASSEMBLY, VERTICAL, ECONOMY POWER, 2.5mm CENTERLINE, GLOW WIRE

PRODUCT SPEC: 108-2418  
 APPLICATION SPEC: 114-13315

MATERIAL: -  
 FINISH: -

WEIGHT: -

SIZE: A2  
 CAGE CODE: 00779  
 DRAWING NO: C-1744439

RESTRICTED TO: -

CUSTOMER DRAWING  
 SCALE: 4:1  
 SHEET: 2 OF 2  
 REV: D4

## X-ON Electronics

Largest Supplier of Electrical and Electronic Components

*Click to view similar products for [Headers & Wire Housings](#) category:*

*Click to view products by [TE Connectivity](#) manufacturer:*

Other Similar products are found below :

[892-18-020-10-001101](#) [58102-G61-06LF](#) [582553-1](#) [0009485154](#) [009176003701906](#) [0050291907](#) [LY20-4P-DT1-P1E-BR](#) [02.125.8002.8](#)  
[609-3404](#) [61062-3](#) [61082-181009](#) [622-3653LF](#) [63453-116](#) [636-1030](#) [636-1427](#) [636-3427](#) [636-4007](#) [641938-9](#) [641991-4](#) [644827-2](#) [65817-010LF](#) [65817-015LF](#) [65863-015LF](#) [66207-023LF](#) [67095-007LF](#) [67601157](#) [68645-018](#) [68648-049](#) [70.362.1628.0](#) [70-4210](#) [70-4226B](#) [70-4853B](#) [707-5020](#) [707-5028](#) [71.350.2428.0](#) [71918-208LF](#) [71961-016LF](#) [733-134](#) [733-162](#) [754199-000](#) [760-3052](#) [787-8014-00](#) [79531-3000](#)  
[FCN-360C032-B](#) [FCN-367T-T012/H](#) [FCN-723D010/2](#) [80.063.4001.1](#) [800-90-001-10-001000](#) [800-90-010-10-002000](#) [801-43-002-10-013000](#)