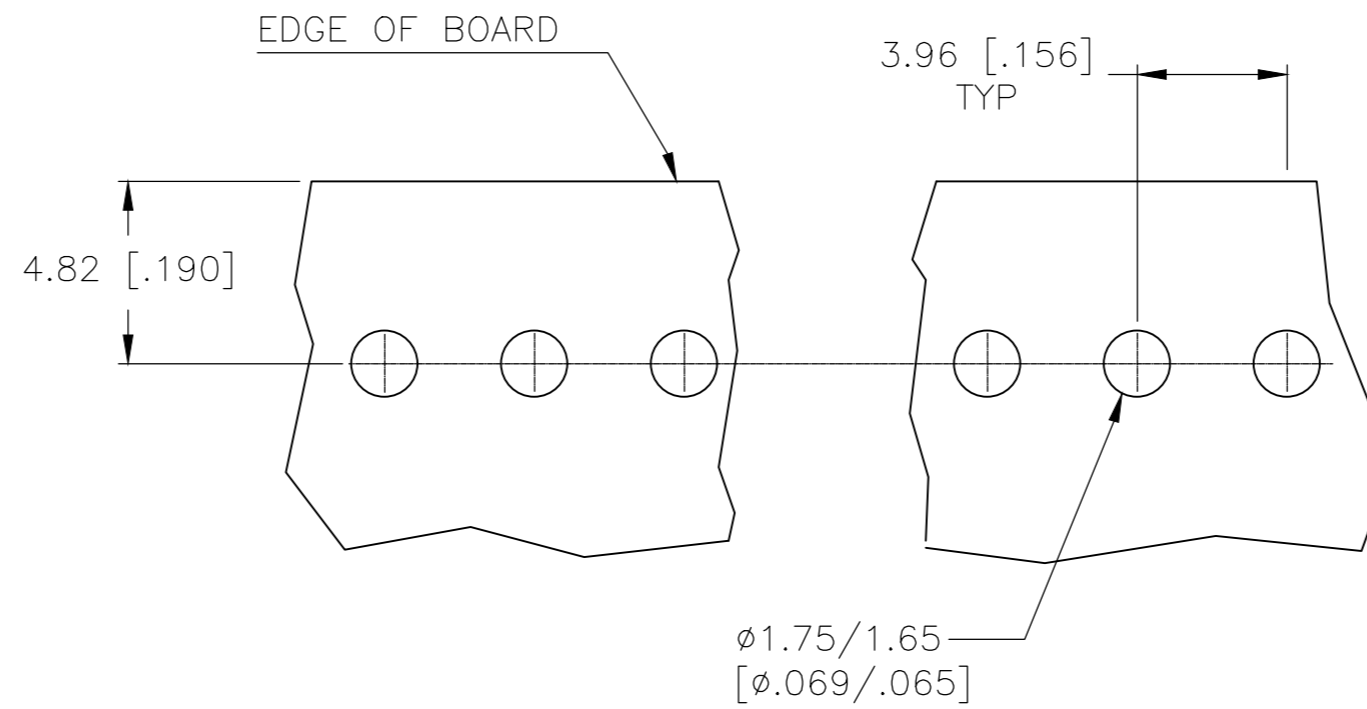
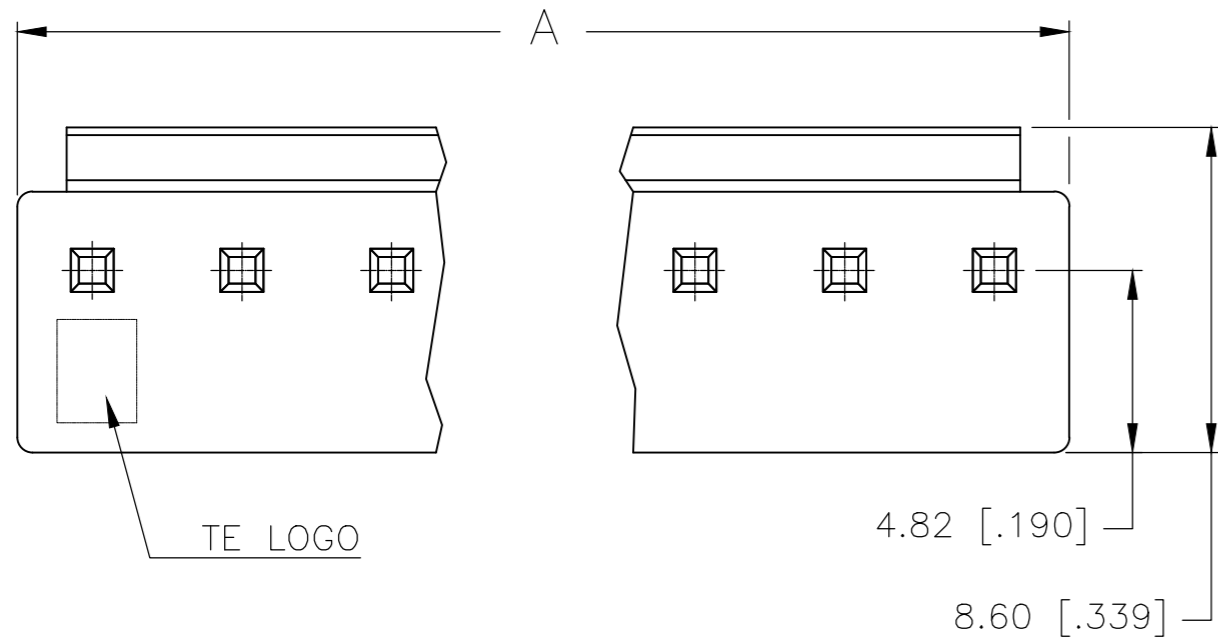
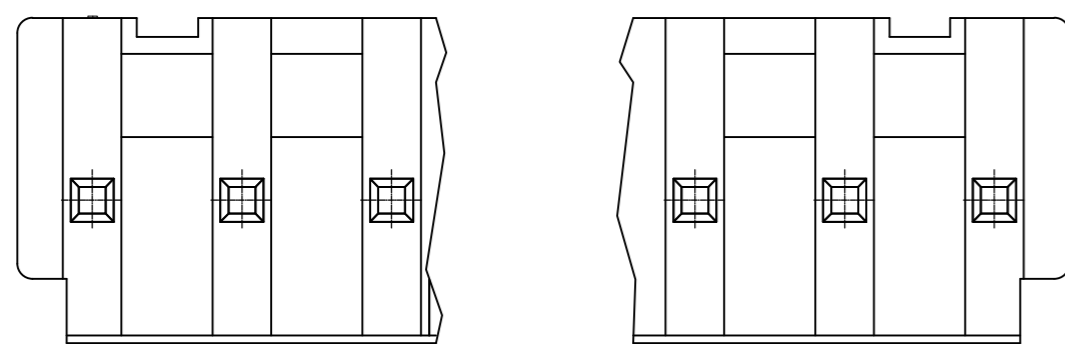
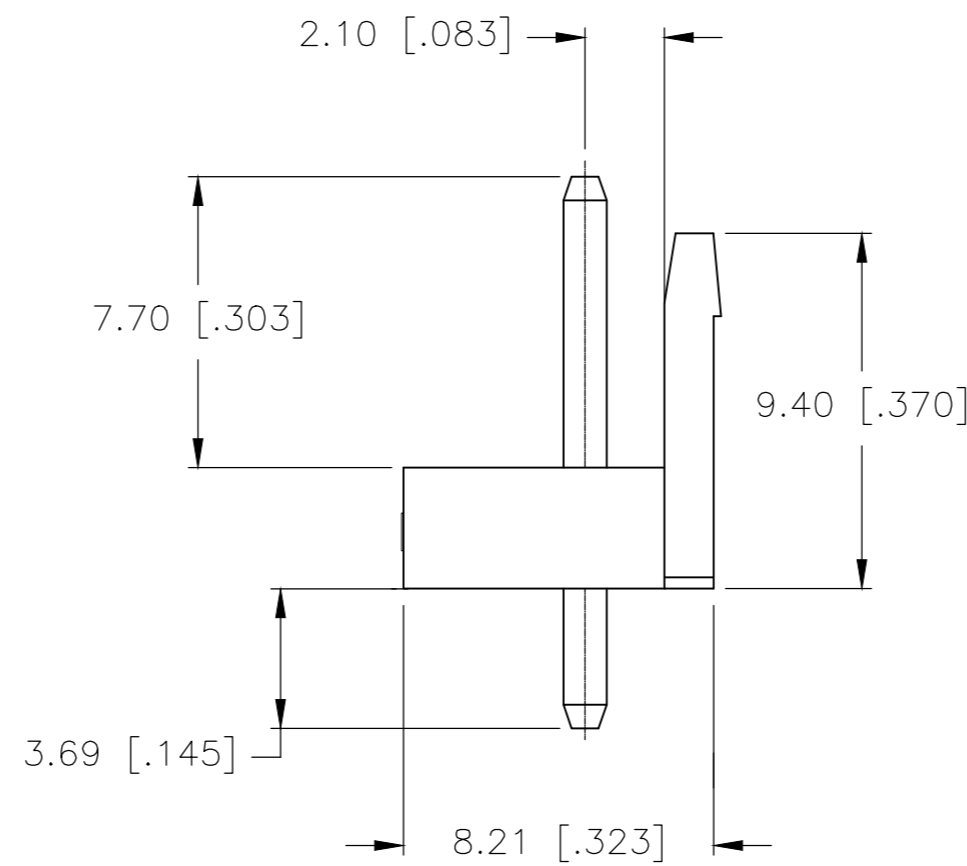
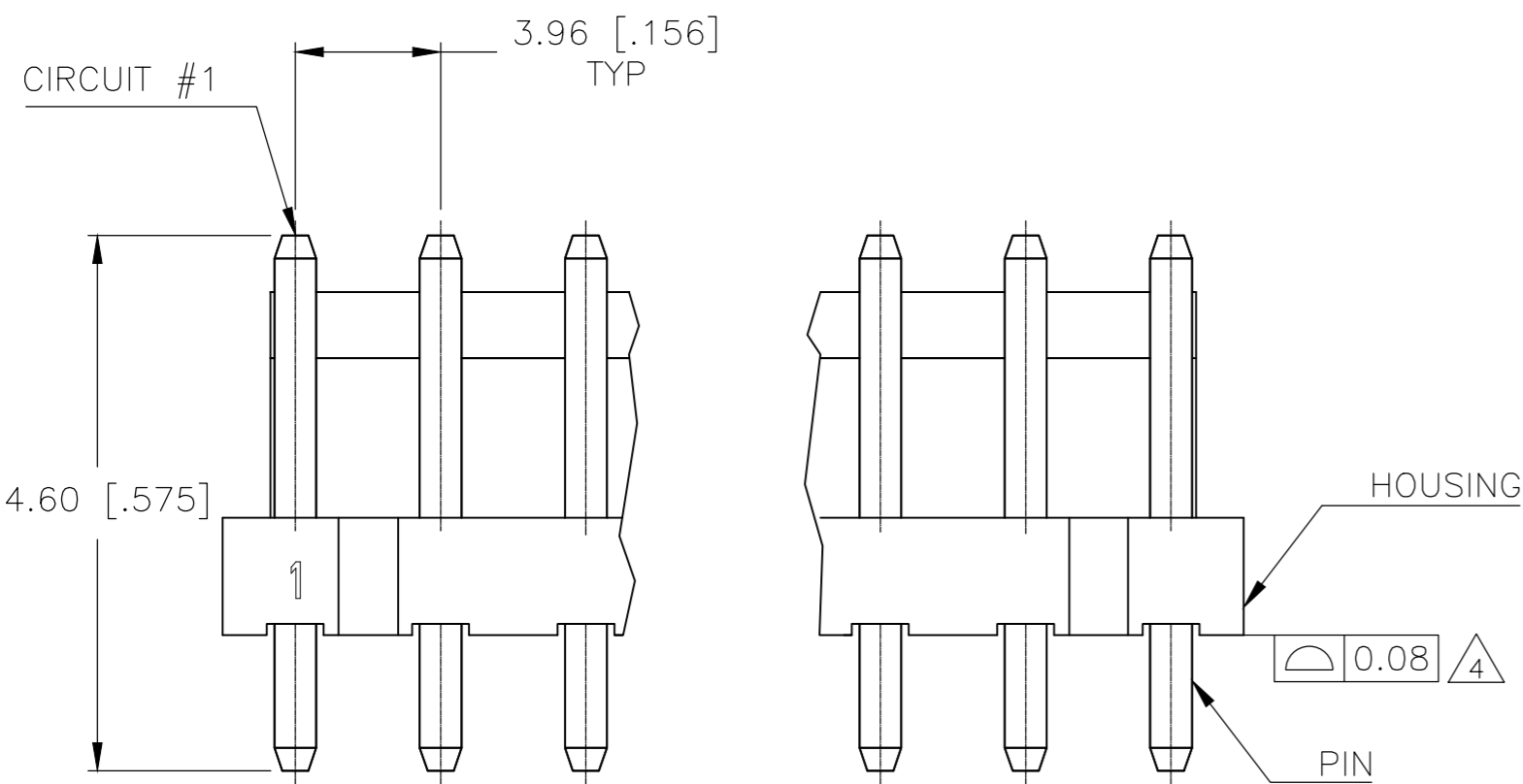


REVISIONS					
P	LTR	DESCRIPTION	DATE	DWN	APVD
D1		REVISED PER ECR-20-100645	02NOV2020	WH	DZ



RECOMMENDED MOUNTING HOLE PATTERN FOR 1.60 [.063] THICK PC BOARD

- 1 HOUSING MATERIAL: NYLON, UL94 V0. PIN MATERIAL: BRASS.
- 2 PIN PLATING: 0.003 [.000120] MIN TIN OVER 0.001 [.000039] NICKEL.
- 3 COMPLY WITH GLOW WIRE REQUIREMENTS FOR PARTS OF NON-METALLIC MATERIAL SUPPORTING A CURRENT-CARRYING CONNECTION DETAILED IN IEC 60335-1, SECTION 30 (GWT).
- 4 PRODUCT BOW SHOULD MEET 0~0.08MM (INITIAL) AND 0~0.20MM(AFTER SOLDERABILITY)



OMIT PIN #	NO. OF POSITIONS	COLOR	$\pm 0.30$ [.012] DIM A	PART NUMBER
2, 5, 7	8	NATURAL	31.68 [1.247]	2-1744489-8
	9	NATURAL	35.64 [1.403]	1744489-9
	8	NATURAL	31.68 [1.247]	1744489-8
	7	NATURAL	27.72 [1.091]	1744489-7
	6	NATURAL	23.76 [0.935]	1744489-6
	5	NATURAL	19.80 [0.780]	1744489-5
	4	NATURAL	15.84 [0.624]	1744489-4
	3	NATURAL	11.88 [0.468]	1744489-3
	2	NATURAL	7.92 [0.312]	1744489-2

THIS DRAWING IS A CONTROLLED DOCUMENT.

DWN	JR RUTH	06FEB13
CHK	SAM MACE	09JAN12
APVD	SAM MACE	09JAN12
PRODUCT SPEC	108-5609	
APPLICATION SPEC		
WEIGHT	-	
CUSTOMER DRAWING		

**STE** TE Connectivity

HEADER ASSEMBLY-ECONOMY POWER VERTICAL

SIZE	A2	CAGE CODE	00779	DRAWING NO	C=1744489	RESTRICTED TO	-
SCALE	N/A	SHEET	1 OF 1	REV	D1		

## X-ON Electronics

Largest Supplier of Electrical and Electronic Components

*Click to view similar products for [Headers & Wire Housings](#) category:*

*Click to view products by [TE Connectivity](#) manufacturer:*

Other Similar products are found below :

[892-18-020-10-001101](#) [58102-G61-06LF](#) [582553-1](#) [0009485154](#) [009176003701906](#) [0050291907](#) [LY20-4P-DT1-P1E-BR](#) [02.125.8002.8](#)  
[609-3404](#) [61062-3](#) [61082-181009](#) [622-3653LF](#) [63453-116](#) [636-1030](#) [636-1427](#) [636-3427](#) [636-4007](#) [641938-9](#) [641991-4](#) [644827-2](#) [65817-](#)  
[010LF](#) [65817-015LF](#) [65863-015LF](#) [66207-023LF](#) [67095-007LF](#) [67601157](#) [68645-018](#) [68648-049](#) [70.362.1628.0](#) [70-4210](#) [70-4226B](#) [70-](#)  
[4853B](#) [707-5020](#) [707-5028](#) [71.350.2428.0](#) [71918-208LF](#) [71961-016LF](#) [733-134](#) [733-162](#) [754199-000](#) [760-3052](#) [787-8014-00](#) [79531-3000](#)  
[FCN-360C032-B](#) [FCN-367T-T012/H](#) [FCN-723D010/2](#) [80.063.4001.1](#) [800-90-001-10-001000](#) [800-90-010-10-002000](#) [801-43-002-10-013000](#)