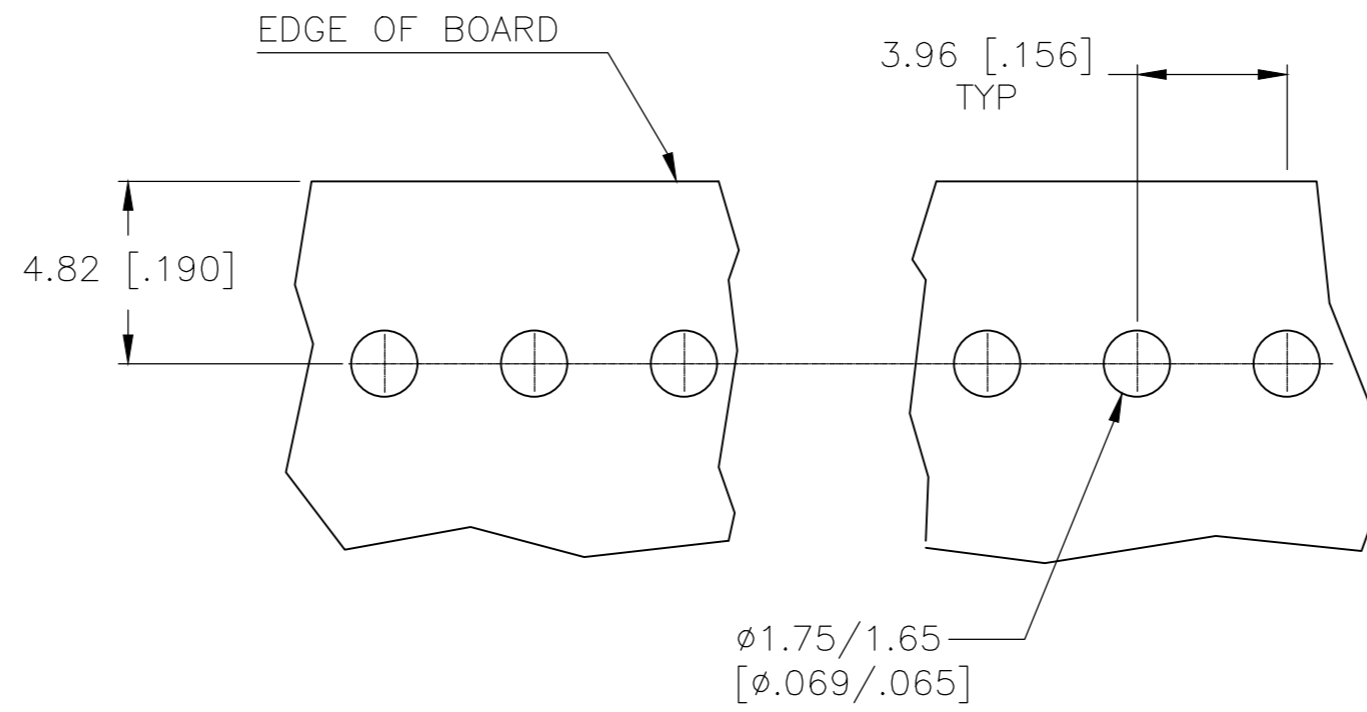
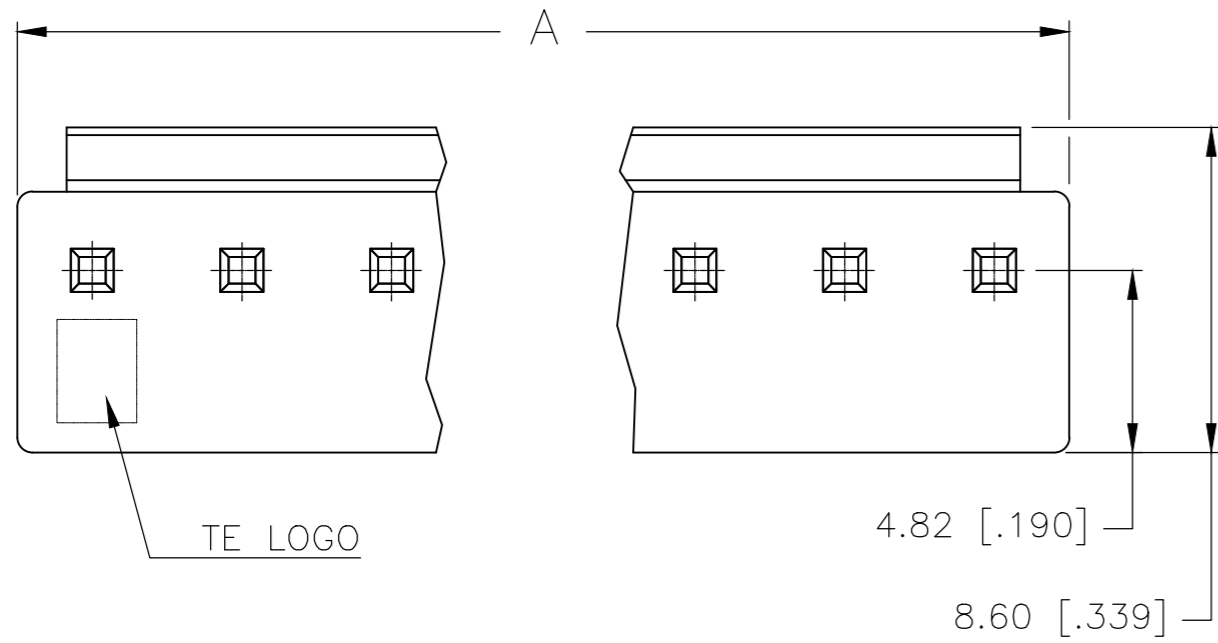
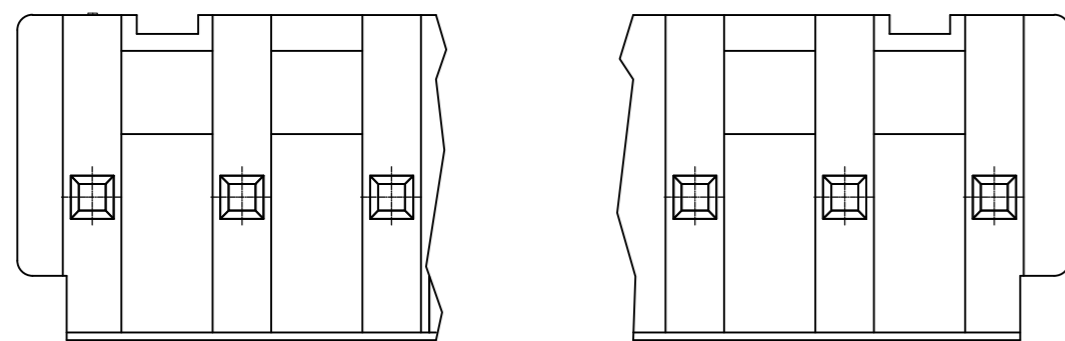
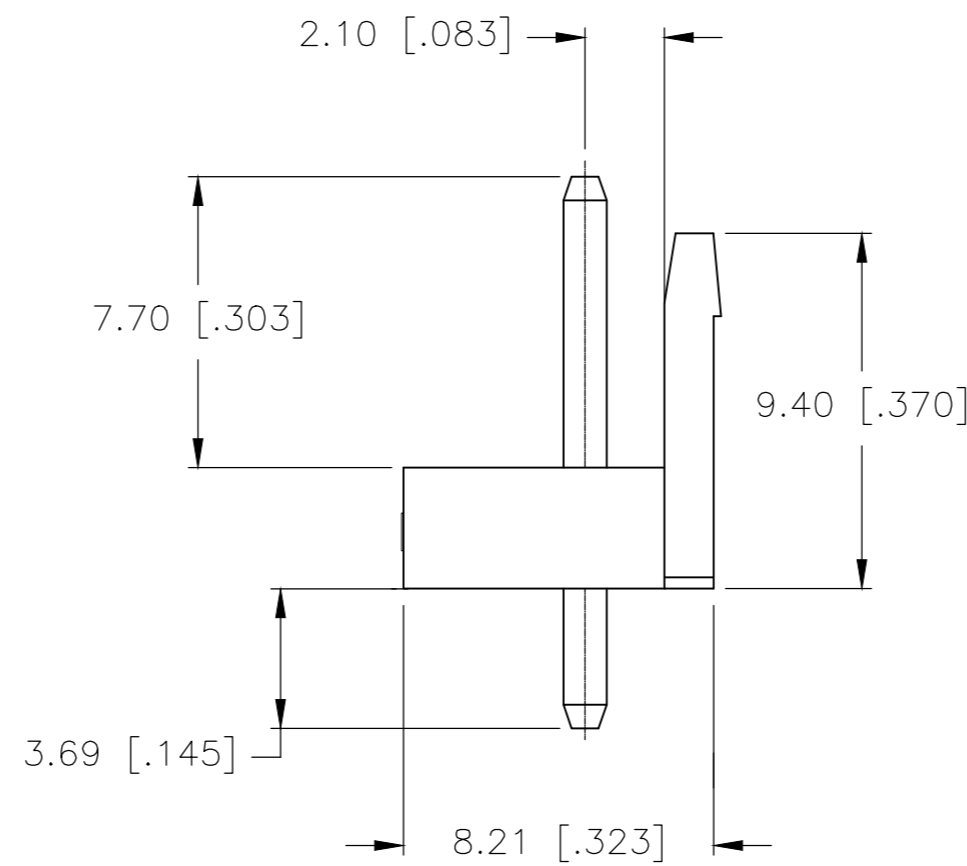
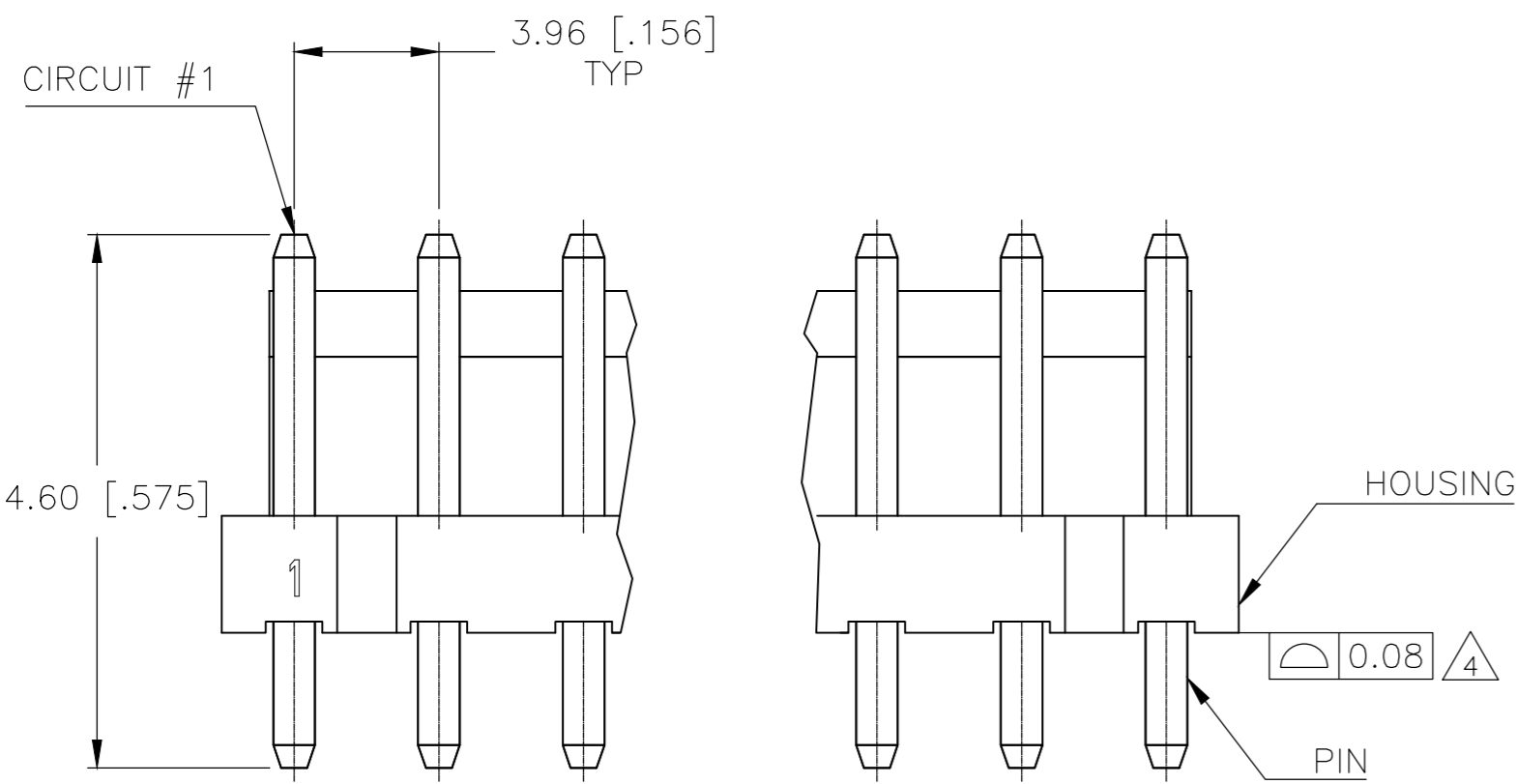


| REVISIONS |     |                           |           |     |      |
|-----------|-----|---------------------------|-----------|-----|------|
| P         | LTR | DESCRIPTION               | DATE      | DWN | APVD |
| D1        |     | REVISED PER ECR-20-100645 | 02NOV2020 | WH  | DZ   |



RECOMMENDED MOUNTING HOLE PATTERN FOR 1.60 [.063] THICK PC BOARD

- 1 HOUSING MATERIAL: NYLON, UL94 V0. PIN MATERIAL: BRASS.
- 2 PIN PLATING: 0.003 [.000120] MIN TIN OVER 0.001 [.000039] NICKEL.
- 3 COMPLY WITH GLOW WIRE REQUIREMENTS FOR PARTS OF NON-METALLIC MATERIAL SUPPORTING A CURRENT-CARRYING CONNECTION DETAILED IN IEC 60335-1, SECTION 30 (GWT).
- 4 PRODUCT BOW SHOULD MEET 0~0.08MM (INITIAL) AND 0~0.20MM(AFTER SOLDERABILITY)



| OMIT PIN # | NO. OF POSITIONS | COLOR   | ±0.30 [.012] DIM A | PART NUMBER |
|------------|------------------|---------|--------------------|-------------|
| 2, 5, 7    | 8                | NATURAL | 31.68 [1.247]      | 2-1744489-8 |
|            | 9                | NATURAL | 35.64 [1.403]      | 1744489-9   |
|            | 8                | NATURAL | 31.68 [1.247]      | 1744489-8   |
|            | 7                | NATURAL | 27.72 [1.091]      | 1744489-7   |
|            | 6                | NATURAL | 23.76 [0.935]      | 1744489-6   |
|            | 5                | NATURAL | 19.80 [0.780]      | 1744489-5   |
|            | 4                | NATURAL | 15.84 [0.624]      | 1744489-4   |
|            | 3                | NATURAL | 11.88 [0.468]      | 1744489-3   |
|            | 2                | NATURAL | 7.92 [0.312]       | 1744489-2   |

THIS DRAWING IS A CONTROLLED DOCUMENT.

|                  |          |         |
|------------------|----------|---------|
| DWN              | JR RUTH  | 06FEB13 |
| CHK              | SAM MACE | 09JAN12 |
| APVD             | SAM MACE | 09JAN12 |
| PRODUCT SPEC     | 108-5609 |         |
| APPLICATION SPEC |          |         |
| MATERIAL         |          |         |
| FINISH           |          |         |

TE Connectivity

HEADER ASSEMBLY-ECONOMY POWER VERTICAL

|                  |       |           |       |            |           |               |   |
|------------------|-------|-----------|-------|------------|-----------|---------------|---|
| SIZE             | A2    | CAGE CODE | 00779 | DRAWING NO | C=1744489 | RESTRICTED TO | - |
| CUSTOMER DRAWING | SCALE | N/A       | SHEET | 1 OF 1     | REV       | D1            |   |

## X-ON Electronics

Largest Supplier of Electrical and Electronic Components

*Click to view similar products for [Headers & Wire Housings](#) category:*

*Click to view products by [TE Connectivity](#) manufacturer:*

Other Similar products are found below :

[892-18-020-10-001101](#) [58102-G61-06LF](#) [582553-1](#) [0009485154](#) [009176003701906](#) [0050291907](#) [LY20-4P-DT1-P1E-BR](#) [02.125.8002.8](#)  
[609-3404](#) [61062-3](#) [61082-181009](#) [622-3653LF](#) [63453-116](#) [636-1030](#) [636-1427](#) [636-3427](#) [636-4007](#) [641938-9](#) [641991-4](#) [644827-2](#) [65817-](#)  
[010LF](#) [65817-015LF](#) [65863-015LF](#) [66207-023LF](#) [67095-007LF](#) [67601157](#) [68645-018](#) [68648-049](#) [70.362.1628.0](#) [70-4210](#) [70-4226B](#) [70-](#)  
[4853B](#) [707-5020](#) [707-5028](#) [71.350.2428.0](#) [71918-208LF](#) [71961-016LF](#) [733-134](#) [733-162](#) [754199-000](#) [760-3052](#) [787-8014-00](#) [79531-3000](#)  
[FCN-360C032-B](#) [FCN-367T-T012/H](#) [FCN-723D010/2](#) [80.063.4001.1](#) [800-90-001-10-001000](#) [800-90-010-10-002000](#) [801-43-002-10-013000](#)