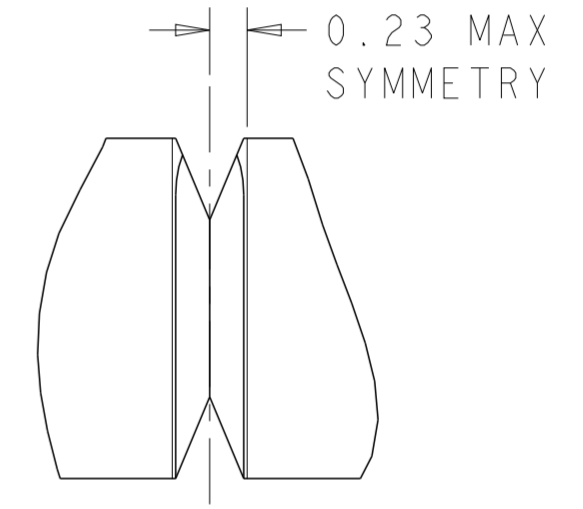
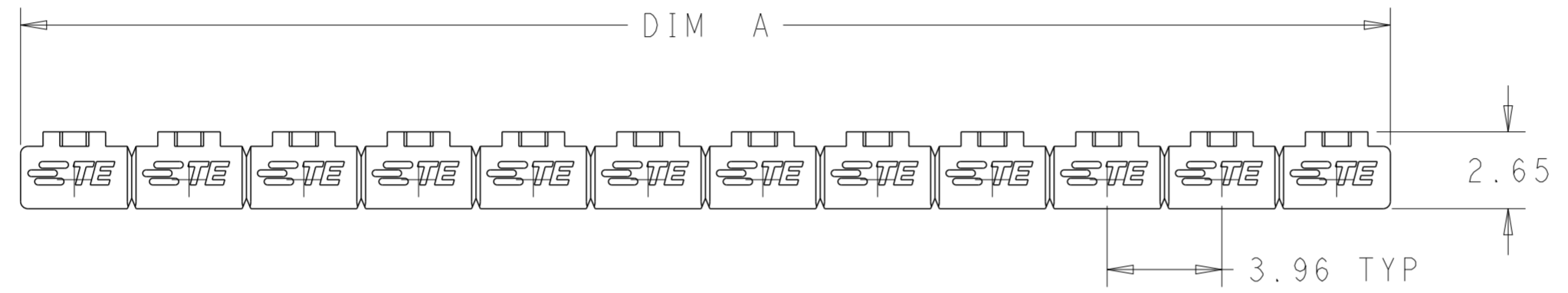
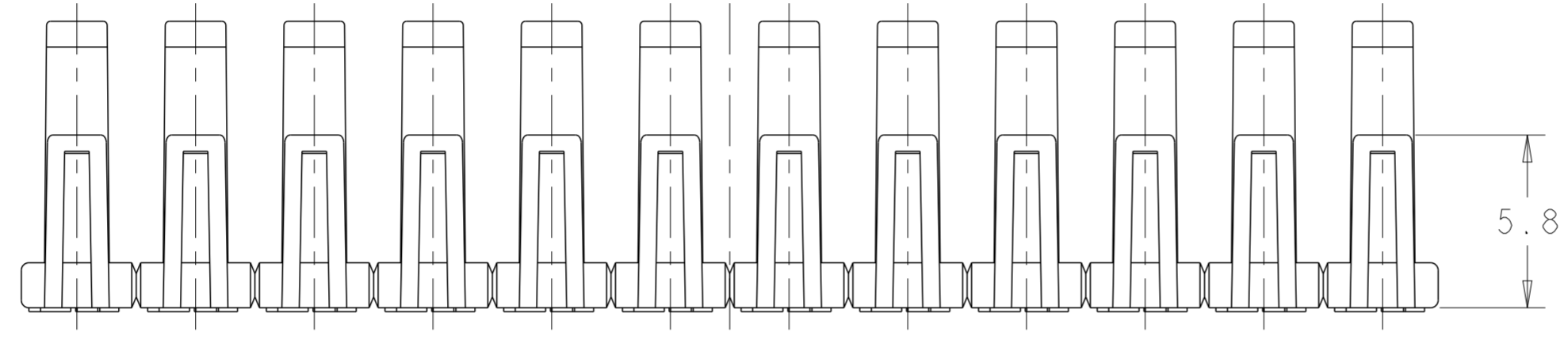


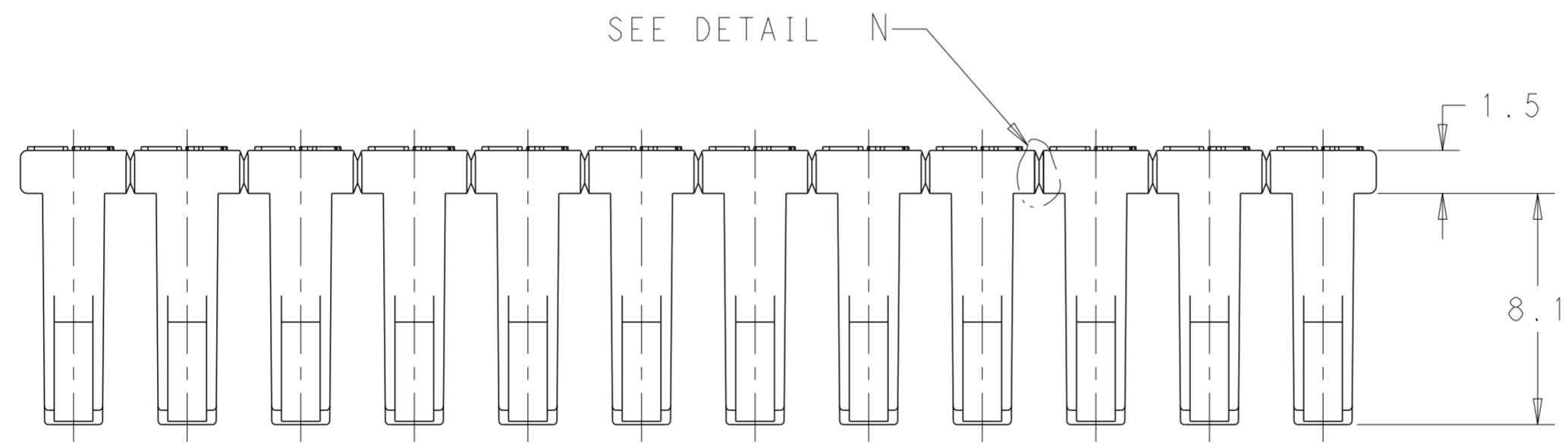
THIS DRAWING IS UNPUBLISHED. RELEASED FOR PUBLICATION 20  
 © COPYRIGHT 20 BY - ALL RIGHTS RESERVED.

REVISIONS				
P	LTR	DESCRIPTION	DATE	APVD
A		REVISED PER ECR-14-016063	06NOV2014	NK TM

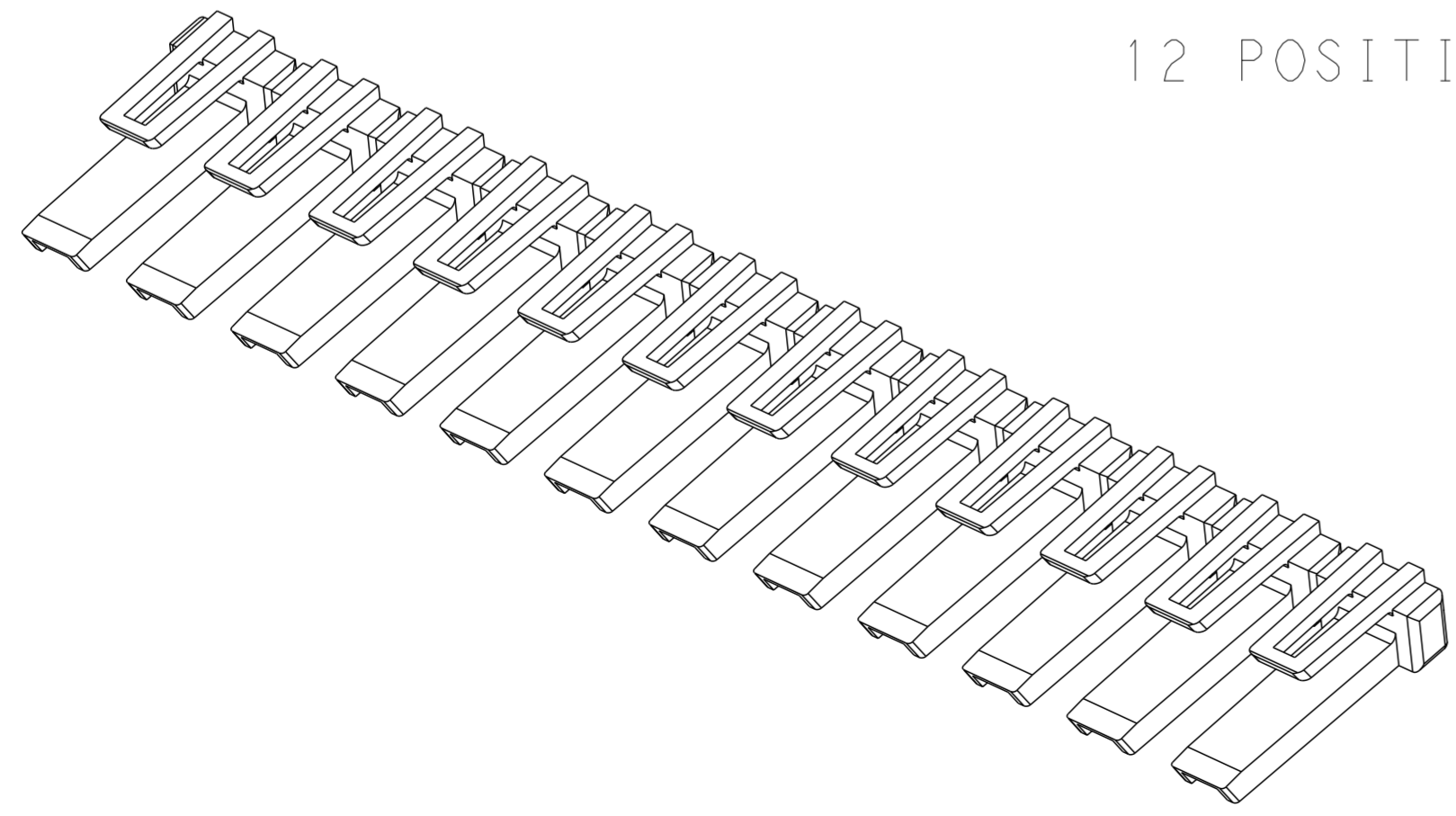
△ 1 FLASH 0.3 MAX ALLOWABLE  
 △ 2 DIMENSION DOES NOT INCLUDE CUT-OFF.  
 3 POSITIONS 2 THROUGH 10 MAY CONTAIN 1 OR 2 CUT-OFFS.  
 11 POSITION HAS 1 CUT-OFF.



DETAIL N  
 SCALE 30:1  
 CUT-OFF AREA TYP



12 POSITION TPA SHOWN



43.56	11	1-1744544-1
39.64	10	1-1744544-0
35.64	9	1744544-9
31.68	8	1744544-8
27.72	7	1744544-7
23.76	6	1744544-6
19.80	5	1744544-5
15.84	4	1744544-4
11.88	3	1744544-3
7.92	2	1744544-2
A±0.45	NO. OF POSITIONS	PART NO.

THIS DRAWING IS A CONTROLLED DOCUMENT.		DWN JR RUTH 12FEB14	TE Connectivity	
DIMENSIONS: mm		CHK TOM MICHIELUTTI 12FEB14		
TOLERANCES UNLESS OTHERWISE SPECIFIED:		APVD TOM MICHIELUTTI 12FEB14	NAME RETAINER, ECONOMY POWER II, 3.96 CENTERLINE, POSITIONS 2-11	
0 PLC ±	1 PLC ±0.50	PRODUCT SPEC -	SIZE A2	CAGE CODE -
2 PLC ±0.30	3 PLC ±	APPLICATION SPEC -	DRAWING NO. C-1744544	RESTRICTED TO -
4 PLC ±	ANGLES ±	WEIGHT -	SCALE 5:1	SHEET 1 OF 1
FINISH -	-	Customer Drawing	REV A	

## X-ON Electronics

Largest Supplier of Electrical and Electronic Components

*Click to view similar products for [Headers & Wire Housings](#) category:*

*Click to view products by [TE Connectivity](#) manufacturer:*

Other Similar products are found below :

[892-18-020-10-001101](#) [58102-G61-06LF](#) [582553-1](#) [0009485154](#) [009176003701906](#) [0050291907](#) [LY20-4P-DT1-P1E-BR](#) [02.125.8002.8](#)  
[609-3404](#) [61062-3](#) [61082-181009](#) [622-3653LF](#) [63453-116](#) [636-1030](#) [636-1427](#) [636-3427](#) [636-4007](#) [641938-9](#) [641991-4](#) [644827-2](#) [65817-](#)  
[010LF](#) [65817-015LF](#) [65863-015LF](#) [66207-023LF](#) [67095-007LF](#) [67601157](#) [68645-018](#) [68648-049](#) [70.362.1628.0](#) [70-4210](#) [70-4226B](#) [70-](#)  
[4853B](#) [707-5020](#) [707-5028](#) [71.350.2428.0](#) [71918-208LF](#) [71961-016LF](#) [733-134](#) [733-162](#) [754199-000](#) [760-3052](#) [787-8014-00](#) [79531-3000](#)  
[FCN-360C032-B](#) [FCN-367T-T012/H](#) [FCN-723D010/2](#) [80.063.4001.1](#) [800-90-001-10-001000](#) [800-90-010-10-002000](#) [801-43-002-10-013000](#)