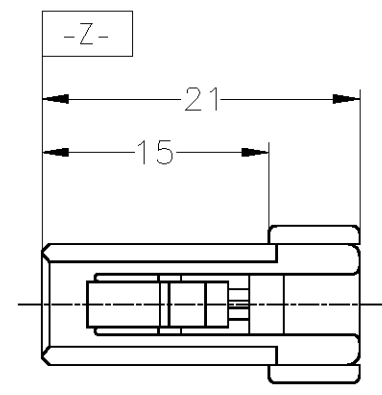
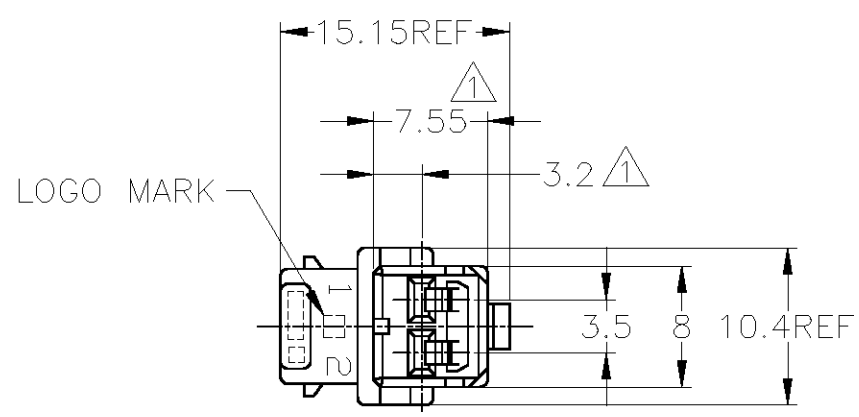


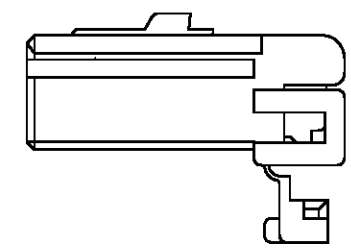
THIS DRAWING IS UNPUBLISHED. RELEASED FOR PUBLICATION
 © COPYRIGHT - By - ALL RIGHTS RESERVED.

LOC	DIST	REVISIONS					
		P	LTR	DESCRIPTION	DATE	DWN	APVD
J	-	G5	REVISED	ECR-14-013120	05SEP2014	TS	RK



- ① MUST BE KEPT BETWEEN [-Z-] AND 2
- 2. APPLIED RECEPTACLE CONTACT PART NUMBER ; 173631, 173630.
- 3. APPLIED CAP HOUSING PART NUMBER ; 174460, 1318444 AND 178602

- ① [-Z-] 面より 2mm の範囲で測定
- 2. 内装するリセプタクルコンタクト型番 : 173631, 173630
- 3. 嵌合相手ハウジング型番 : 174460, 1318444 及び 178602



FJPI-174463-7	黄 (YELLOW)	174463-7
FJPI-174463-6	灰 (GRAY)	174463-6
FJPI-174463-5	青 (BLUE)	174463-5
FJPI-174463-4	黒 (BLACK)	174463-4
FJPI-174463-3	自然色 (NATURAL)	174463-3
FJPI-174463-2	黒 (BLACK)	174463-2
FJPI-174463-1	自然色 (NATURAL)	174463-1
PACKING INSTRUCTION NUMBER (梱包仕様書番号)	色 (COLOR)	製品型番 (PART NUMBER)

TOLERANCES UNLESS OTHERWISE SPECIFIED: 一般公差

10 >	: ±0.2
30 >	> 10 : ±0.25
100 >	> 30 : ±0.3
ANGLE	: ±3°

THIS DRAWING IS A CONTROLLED DOCUMENT.

DIMENSIONS: 単位: 耗 mm	TOLERANCES UNLESS OTHERWISE SPECIFIED: 一般公差
	0 PLC ± -
	1 PLC ± -
	2 PLC ± -
	3 PLC ± -
	4 PLC ± -
	ANGLES ± -
MATERIAL 材料 PBT	FINISH 仕上 -

DWN M.SUGAWARA 25OCT06	TE Connectivity			
CHK K.BETSUI 25OCT06				
APVD K.BETSUI 25OCT06	NAME 名称 070 SERIES MULTI-LOCK CONNECTOR 2POSITION PLUG HOUSING (WIRE TO WIRE)			
PRODUCT SPEC 製品規格 108-5264	SIZE A3	CAGE CODE 00779	DRAWING NO 番号 C-174463	RESTRICTED TO
APPLICATION SPEC 取付適用規格	WEIGHT -		SCALE 尺度 2:1	SHEET 1 OF 1
CUSTOMER DRAWING			REV G5	

X-ON Electronics

Largest Supplier of Electrical and Electronic Components

Click to view similar products for [Headers & Wire Housings](#) category:

Click to view products by [TE Connectivity](#) manufacturer:

Other Similar products are found below :

[95000-104TRLF](#) [10135584-644402LF](#) [DF62W-EP2022PCA](#) [95000-106TRLF](#) [DF62W-2022SCA](#) [DF62W-EP2022PC](#) [2203348](#) [DF62W-2022SC](#) [1084018](#) [1029039](#) [1084017](#) [802-10-012-10-002000](#) [1112640](#) [1112639](#) [000-34000](#) [0009482033](#) [0009507031](#) [57102-S06-03LF](#) [57202-S52-04LF](#) [PCN6-15S-2.5E](#) [0039019024](#) [58102-G61-06LF](#) [582553-1](#) [0009485154](#) [0009508121](#) [0022285053](#) [0050291907](#) [018731A](#) [LY20-4P-DT1-P1E-BR](#) [02.125.8002.8](#) [60101931](#) [60598-1 \(Cut Strip\)](#) [M1625-3R/100](#) [61062-3](#) [61082-181009](#) [636-1427](#) [638009-1](#) [641938-9](#) [641991-4](#) [644168-1](#) [647662-1](#) [65039-019ELF](#) [65781-047](#) [65817-002LF](#) [65817-015LF](#) [65863-015LF](#) [66207-023LF](#) [67016-026LF](#) [67046-001LF](#) [67095-007LF](#)