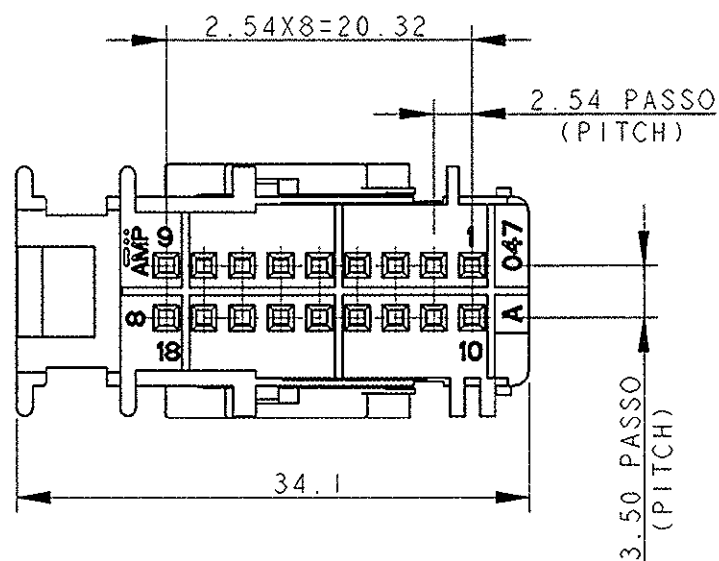
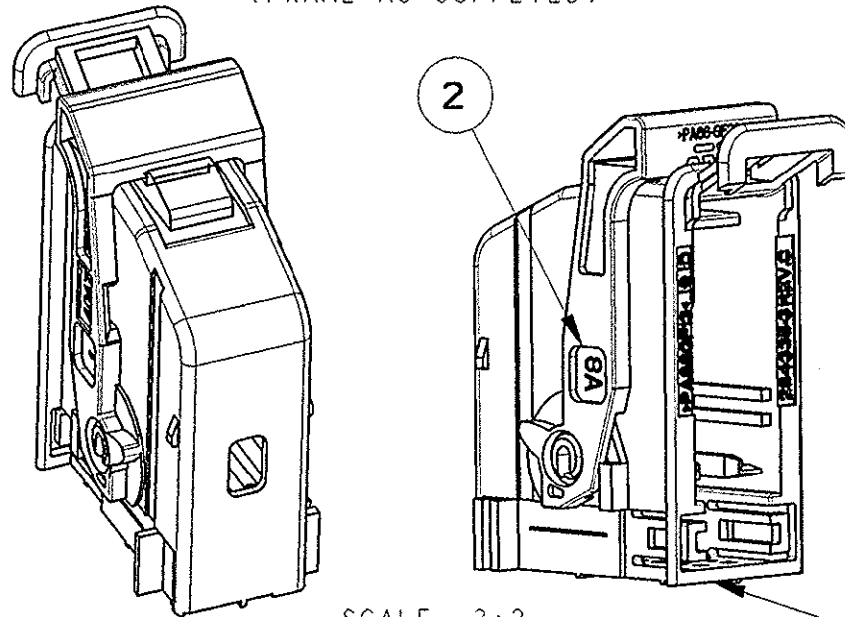


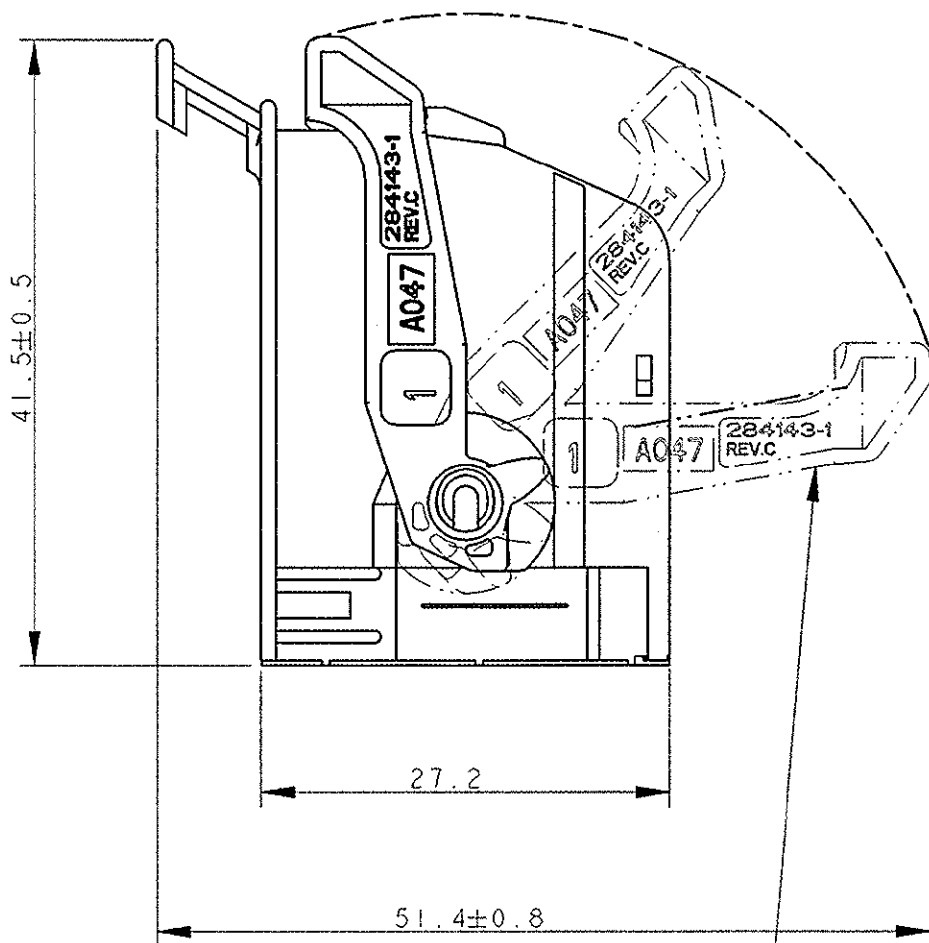
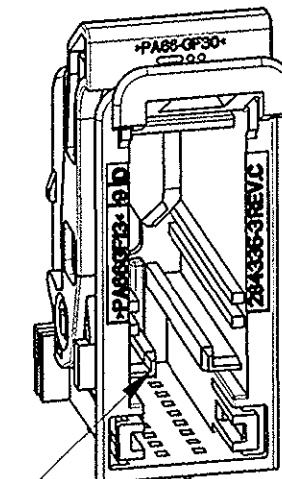
LOC	DIST	REVISIONS			
P	LTR	DESCRIPTION	DATE	DWN	APVD
0		EMISSIONE PRELIMINARE (PRELIMINARY ISSUE)	10MAR2003	M.S.	O.C.
1		ERA (WAS) P/N 03-51039-1	04NOV2003	M.S.	O.C.
A		PRIMA EMISSIONE (FIRST ISSUE) ET00-0043-04	11JUN2004	M.P.	O.C.
AI		RELEASED FOR PRODUCTION (RILASCIATO IN PRODUZIONE) ET00-0239-04	04FEB2005	M.P.	O.C.



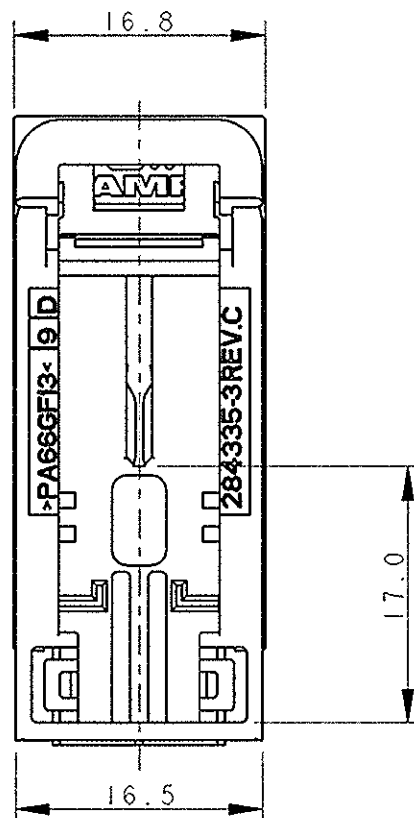
CORAZZA COME FORNITA (FRAME AS SUPPLIED)



P/N 1745003-1 NERO COME MOSTRATO (BLACK AS SHOWN)



LEVA IN POSIZIONE APERTA (LEVER IN OPEN POSITION)



NOTE : (NOTES:)

- 1 SEDE ADATTA PER MODULO CRIMP P/N 1745005-1 (1745005-2 PER CONN. 1745003-2), VEDI TABELLA SU FOGLIO 2/2. (SLOT SUITABLE FOR CRIMP MODULE P/N 1745005-1 (1745005-2 ON CONN. 1745003-2), SEE TABLE ON SHEET 2 OF 2).
- 2 MATERIALE CORAZZA: PA 6.6 CARICATO VETRO, VEDI TABELLA SU FOGLIO 2/3 E 3/3 PER IL COLORE. (SHELL MATERIAL: PA 6.6 GLASS FIBER FILLED, SEE TABLE ON SHEET 2 OF 3 AND 3 OF 3 FOR THE COLOUR).
- 3 MATERIALE LEVA: PA 6.6 CARICATO VETRO COLORE ROSSO (LEVER MATERIAL: PA 6.6 GLASS FIBER FILLED COLOUR RED).
- 4) IL PRODOTTO VIENE FORNITO CON LEVA IN POSIZIONE CHIUSA. (THE FRAME IS SUPPLIED WITH LEVER IN CLOSED POSITION).

ITEM	DESCRIPTION (DESCRIZIONE)	MATERIAL/COLOR (MATERIALE/COLORE)	Q.TY (Q.TA')
1	18 POS. FRAME (CORAZZA 18 VIE)	PA66GF/BLACK or GRAY (NERO o GRIGIO)	1
2	LEVER (LEVA)	PA66 G.F./RED (ROSSO)	1

<small>THIS DRAWING IS A CONTROLLED DOCUMENT FOR TYCO ELECTRONICS CORPORATION. IT IS SUBJECT TO CHANGE AND THE CONTROLLING ENGINEERING ORGANIZATION SHOULD BE CONTACTED FOR THE LATEST REVISION.</small>		DWN 09APR2004 M. POLIZZI CHK 09APR2004 O. CANUTO APVD 09APR2004 A. GENTA		tyco Electronics AMP Italia S.p.A. C.so F.lli Cervi 15 Collegno (TO)	
DIMENSIONS: mm 		TOLERANCES UNLESS OTHERWISE SPECIFIED: 0 PLC ±0.3 1 PLC ±0.3 2 PLC ±0.3 3 PLC ± 4 PLC ± ANGLES ±1°		NAME FRAME 18 POS. CRIMP/CRIMP 2.54 mm PITCH	
MATERIAL 		FINISH 		PRODUCT SPEC 108-20182 APPLICATION SPEC 411-20056 WEIGHT -	
CUSTOMER DRAWING				SIZE A3 CAGE CODE 00779 DRAWING NO C=1745003 RESTRICTED TO -	
SCALE 2:1 SHEET 1 OF 2 REV AI					

THIS DRAWING IS UNPUBLISHED.

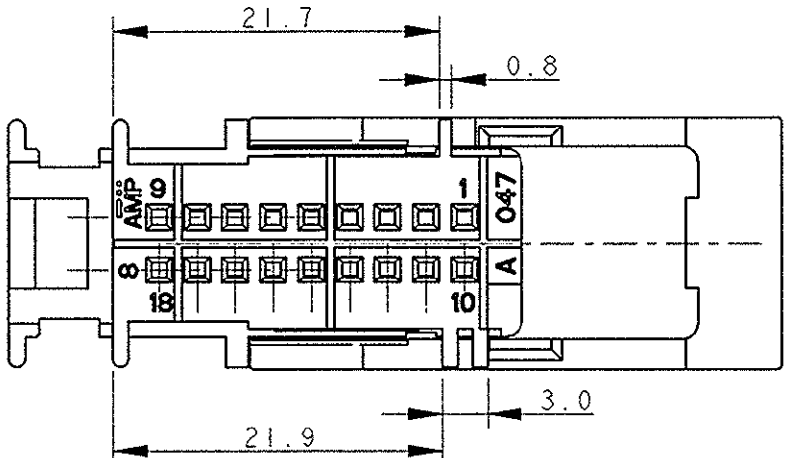
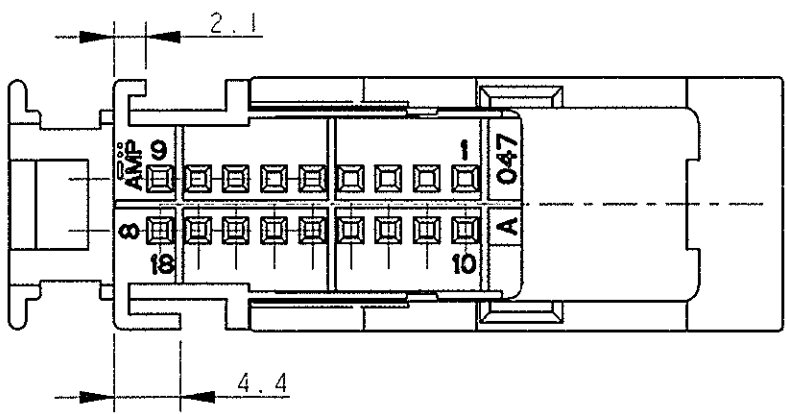
RELEASED FOR PUBLICATION

2003


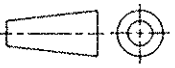
© COPYRIGHT 2003

BY TYCO ELECTRONICS CORPORATION. ALL RIGHTS RESERVED.

LOC	DIST	REVISIONS					
		P	LTR	DESCRIPTION	DATE	DWN	APVD
1	-	-	-	SEE SHEET 1	-	-	-

P/N	RAPPRESENTAZIONE GRAFICA (GRAPHICAL REPRESENTATION)	COLORE (COLOUR)	MODULO CRIMP (CRIMP MODULE) P/N	COLORE MODULO (MODULE COLOUR)	CONTROPARTE (COUNTERPART)
1745003-1		NERO (BLACK)	1745005-1	NERO (BLACK)	DIMA P/N 953466 (HEADER P/N 953466)
1745003-2		GRIGIO (GREY)	1745005-2	GRIGIO (GREY)	DIMA P/N 953466 (HEADER P/N 953466)

THIS DRAWING IS A CONTROLLED DOCUMENT FOR TYCO ELECTRONICS CORPORATION. IT IS SUBJECT TO CHANGE AND THE CONTROLLING ENGINEERING ORGANIZATION SHOULD BE CONTACTED FOR THE LATEST REVISION.

DIMENSIONS:	TOLERANCES UNLESS OTHERWISE SPECIFIED:	DWN	09APR2004	 AMP Italia S.p.A. C.so F.lli Cervi 15 Collegno (TO)
mm	0 PLC ±0.3	CHK	M. POLIZZI	
	1 PLC ±0.3	APVD	O. CANUTO	
	2 PLC ±0.3	PRODUCT SPEC	A. GENTA	
	3 PLC ±	APPLICATION SPEC		NAME
	4 PLC ±	WEIGHT		FRAME 18 POS. CRIMP/CRIMP 2.54 mm PITCH
MATERIAL	FINISH	CUSTOMER DRAWING	A3 00779	SIZE
			©=1745003	CAGE CODE
				DRAWING NO
				RESTRICTED TO
				SCALE 2:1
				SHEET 2 OF 2
				REV A1

X-ON Electronics

Largest Supplier of Electrical and Electronic Components

Click to view similar products for [Automotive Connectors](#) category:

Click to view products by [TE Connectivity](#) manufacturer:

Other Similar products are found below :

[003-018-000](#) [60403001](#) [60993906-B](#) [M902-2131](#) [M902-2161](#) [72.330.1035.1](#) [73.353.4028.0](#) [F119300-B](#) [F166900](#) [F258300-B](#) [F358300-B](#)
[F407400](#) [F444110](#) [F487000](#) [F509500B-B](#) [827153-1](#) [8N1515-32-24P](#) [9-1326729-8](#) [925474-1](#) [928905-1](#) [964562-4](#) [968782-1](#) [GT17SA-8DS-](#)
[HU](#) [98891-1012](#) [98947-1016](#) [12004147](#) [12004475-L](#) [12010290](#) [12010309-B](#) [12015454](#) [12020219-B](#) [12020308](#) [12041318-B](#) [12052225-L](#)
[12052466](#) [12059125](#) [12064869](#) [12004327-B](#) [12010503-B](#) [12015308](#) [12015384](#) [12015909](#) [1-21030-1](#) [12041254](#) [12041318](#) [12047946-B](#)
[12047957](#) [12047957-L](#) [12059473](#) [12066261](#)