

THIS DRAWING IS UNPUBLISHED.

RELEASED FOR PUBLICATION

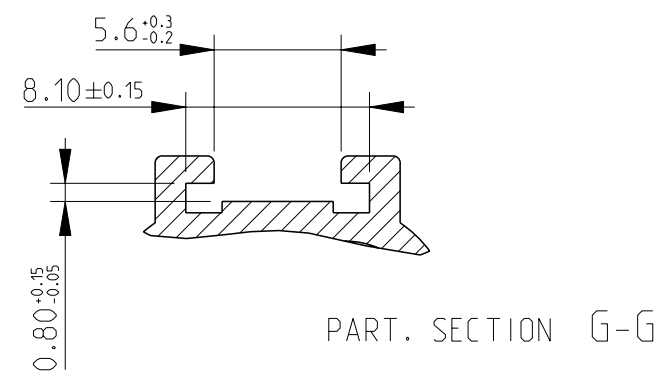
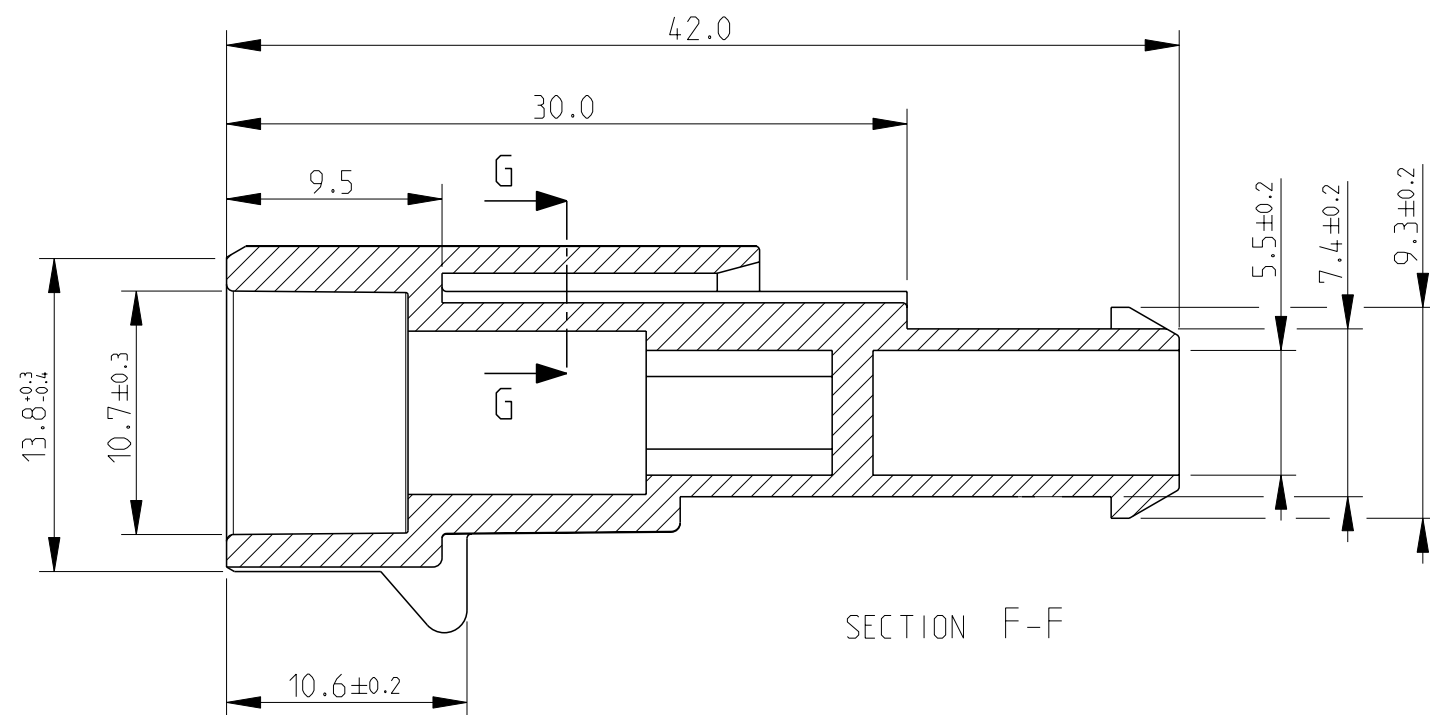
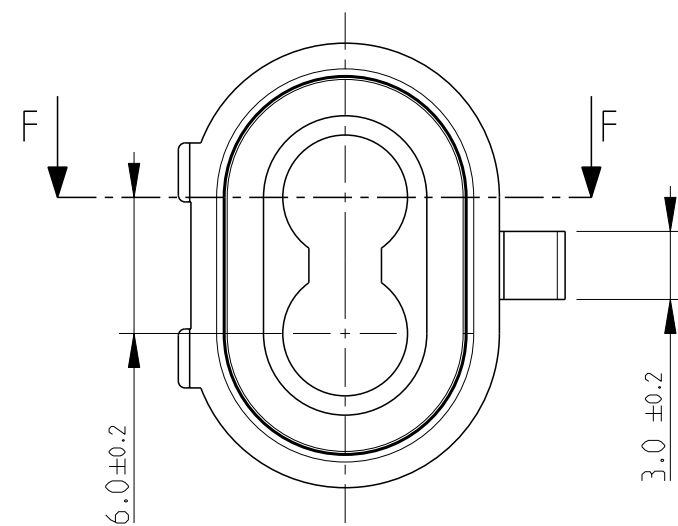
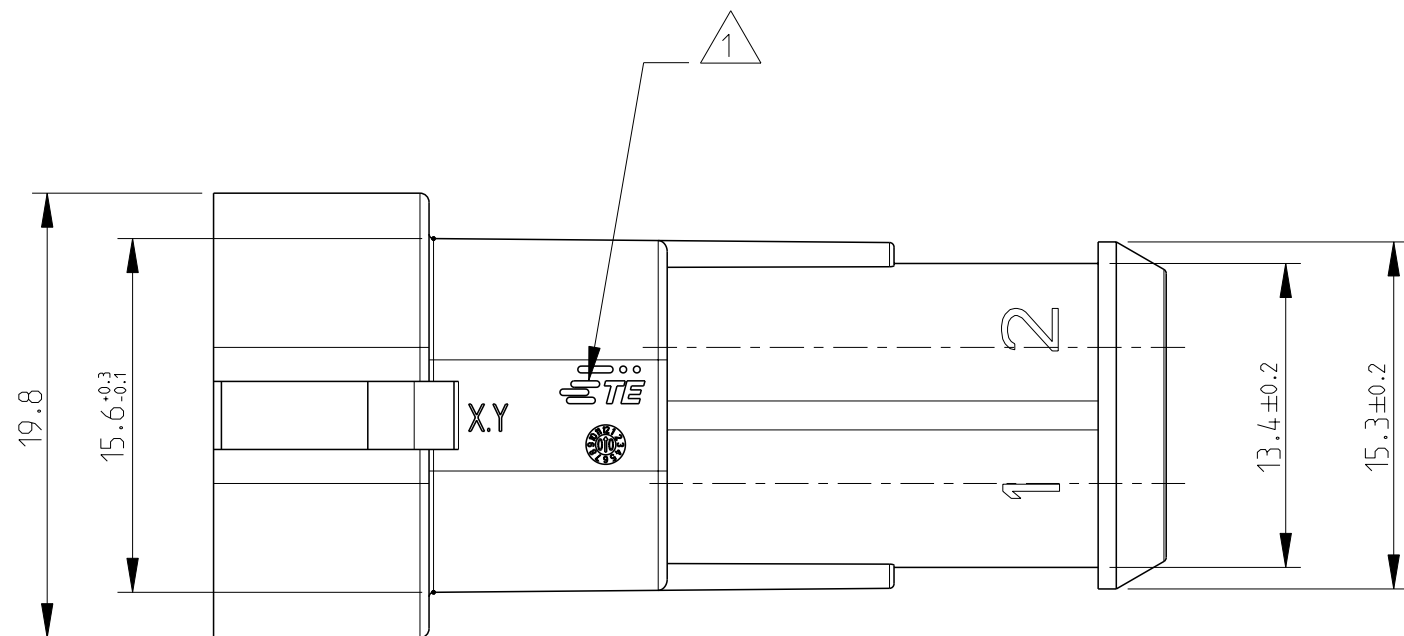
20

© COPYRIGHT 20 BY -

ALL RIGHTS RESERVED.

REVISIONS

P	LTR	DESCRIPTION	DATE	DWN	APVD
	A2	REVISED PER ECO-17-009774	06SEP2017	M.G.	M.G.



SECTION F-F

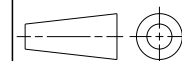
PART. SECTION G-G

ORANGE	PA66-GF	A	1745022-1
FINISH/COLOR	MATERIAL	REV	PART NUMBER


 TE CONNECTIVITY TRADE MARK,
 (IN ALTERNATIVE: "AMP" LOGO, OR  "Tyco Electronics" LOGO)

THIS DRAWING IS A CONTROLLED DOCUMENT.

DIMENSIONS:
mm



MATERIAL
-
SEE TABLE

TOLERANCES UNLESS OTHERWISE SPECIFIED:

0 PLC ±
 1 PLC ±0.3
 2 PLC ±
 3 PLC ±
 4 PLC ±
 ANGLES ±2°

FINISH
-
SEE TABLE

DWN M. PALMA 17SEP2004

CHK R. MARTINI 17SEP2004

APVD -

PRODUCT SPEC -

APPLICATION SPEC -

WEIGHT 5.12g

CUSTOMER DRAWING

TE TE Connectivity
 NAME
 AMP SUPERSEAL 1.5 SRS.
 2 POSITIONS TAB CONNECTOR
 WITH CLOSED CAVITIES

SIZE A3 CAGE CODE - DRAWING NO. C-1745022 RESTRICTED TO -

SCALE 3:1 SHEET 1 OF 1 REV A2

X-ON Electronics

Largest Supplier of Electrical and Electronic Components

Click to view similar products for [Automotive Connectors](#) category:

Click to view products by [TE Connectivity](#) manufacturer:

Other Similar products are found below :

[003-018-000](#) [60403001](#) [60993906-B](#) [M902-2131](#) [M902-2161](#) [M902-2344](#) [72.330.1035.1](#) [73.353.4028.0](#) [F119300-B](#) [F166900](#) [F258300-B](#)
[F358300-B](#) [F407400](#) [F444110](#) [F487000](#) [F509500B-B](#) [827153-1](#) [8N1515-32-24P](#) [9-1326729-8](#) [925474-1](#) [928905-1](#) [964562-4](#) [968782-1](#)
[GT17SA-8DS-HU](#) [98891-1012](#) [98947-1016](#) [12004147](#) [12004475-L](#) [12010290](#) [12010309-B](#) [12015454](#) [12020219-B](#) [12041318-B](#) [12052225-](#)
[L](#) [12052466](#) [12064869](#) [12004327-B](#) [12015308](#) [12015384](#) [12015909](#) [1-21030-1](#) [12041254](#) [12041318](#) [12047946-B](#) [12047957](#) [12047957-L](#)
[12059473](#) [12066261](#) [12110546](#) [12110546-B](#)