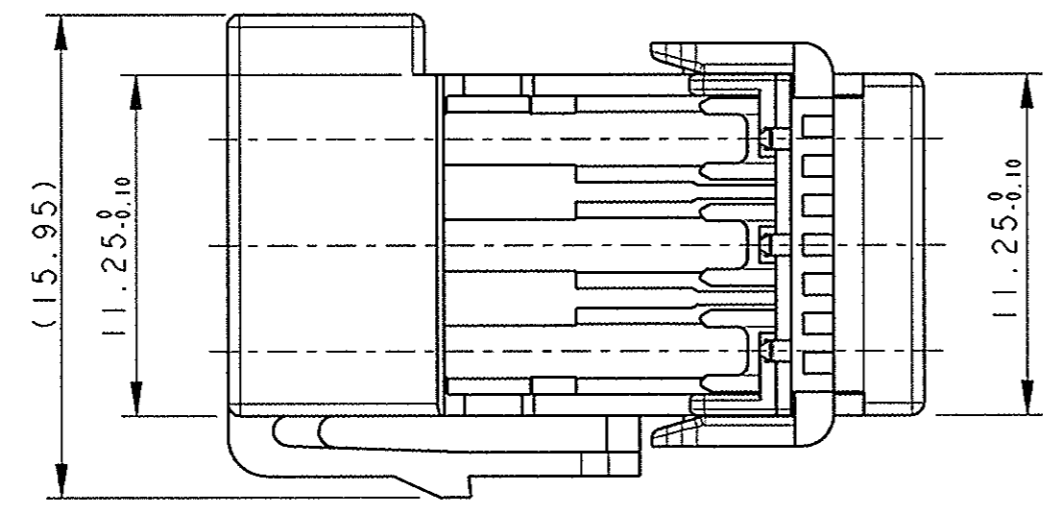
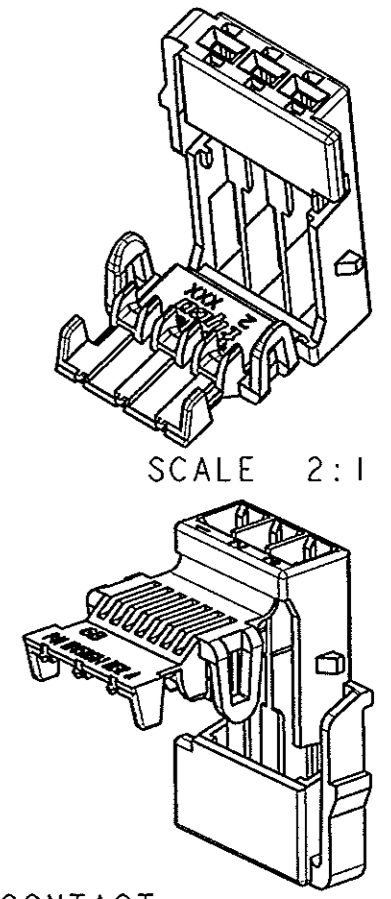
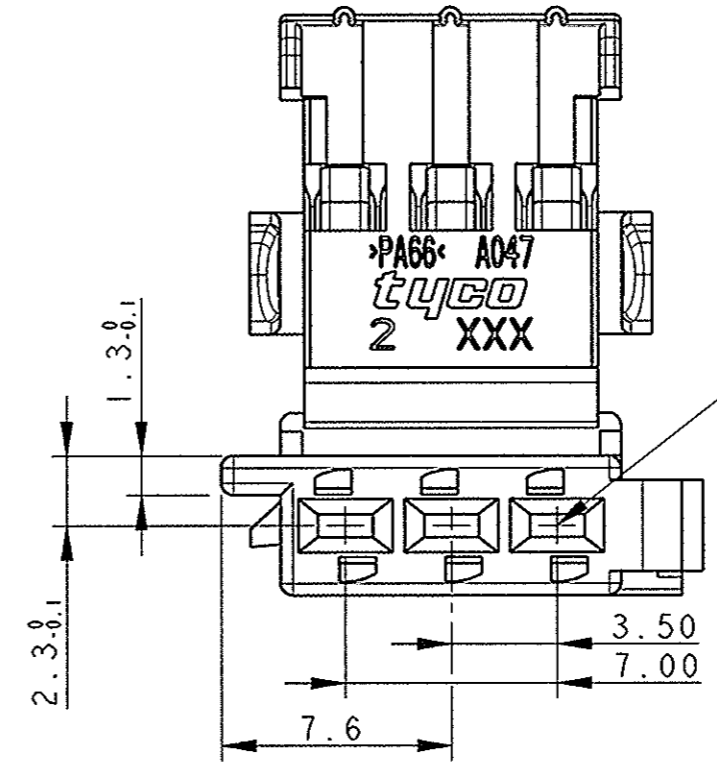
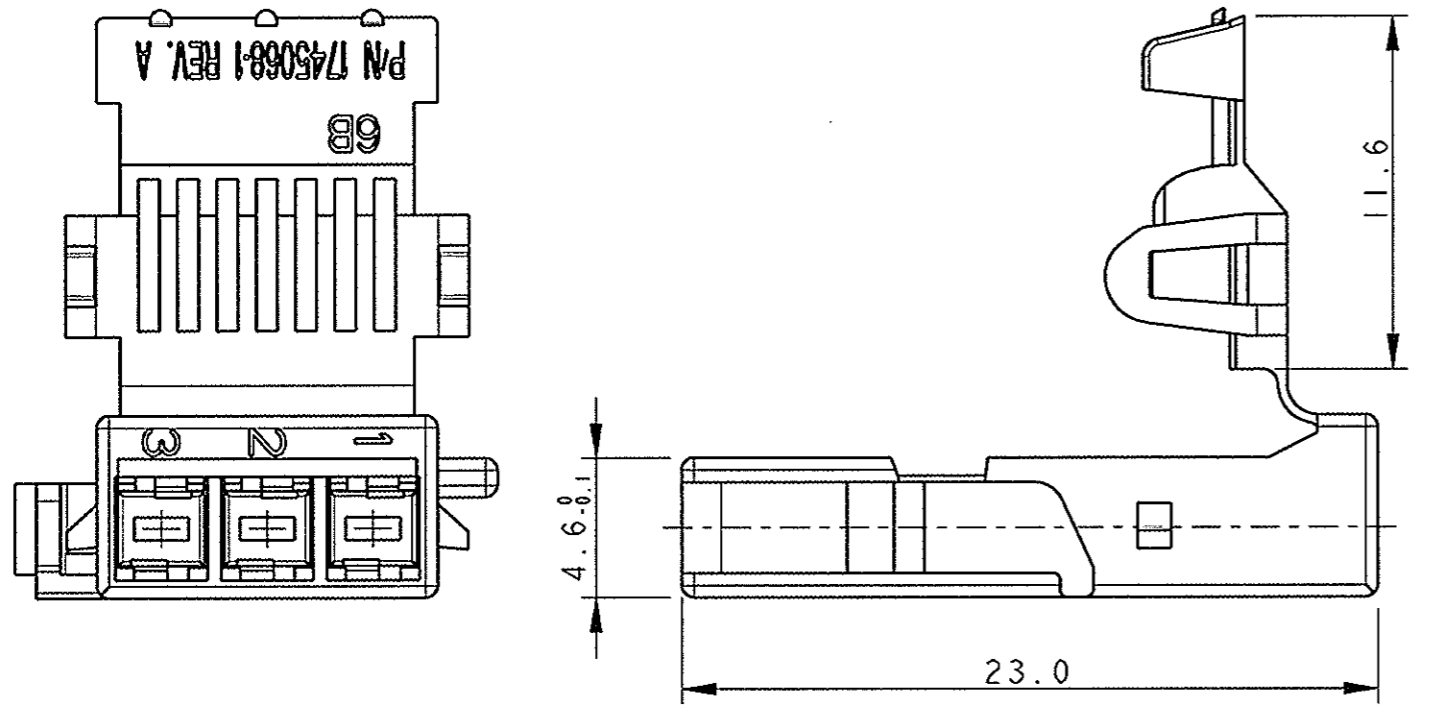
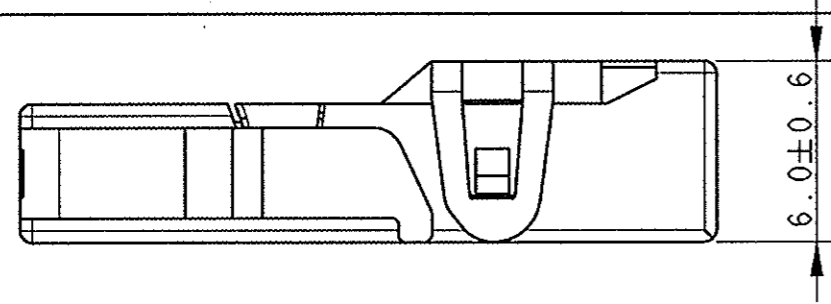


LOC		DIST		REVISIONI REVISIONI			
P	LTR REV	DESCRIPTION DESCRIZIONE		DATE DATA	DWN DIS.	APVD APP.	
	A	FIRST ISSUE		20/12/2006	M.P.	O.C.	
	AI	PROD. RELEASED ECR-06-029845		22JAN2007	MP	RM	



- 1) MATERIAL: PA66 COLOR BLACK
(MATERIALE: PA66 COLORE NERO)
- 2) CAVITIES SUITABLE FOR AMP MCP 1.5 CONTACT:
(CAVITA' ADATTE A CONTATTI AMP MCP 1.5:)
P/N 1241372-1: 0.2-0.35 mm² WIRE SECTION
P/N 1241374-1: 0.5-1.0 mm² WIRE SECTION
P/N 1534334-1: >1.0-1.5 mm² WIRE SECTION
- 3) INTERFACE DRAWING 114-18585-1
(DIMA DI INTERFACCIA 114-18585-1)
- 4) CODING A
(POLARIZZAZIONE A)

P/N 1745068-1 AS SHOWN WAS P/N 05-51080-1
 (P/N 1745068-1 COME MOSTRATO ERA P/N 05-51080-1)



VIEW FROM A SECONDARY LOCK CLOSED
 (VISTA DA A CON SECONDARY LOCK CHIUSO)

THIS DRAWING IS A CONTROLLED DOCUMENT FOR TYCO ELECTRONICS CORPORATION IT IS SUBJECT TO CHANGE AND THE CONTROLLING ENGINEERING ORGANIZATION SHOULD BE CONTACTED FOR THE LATEST REVISION.		DWN/DIS. 09MAY2005 F. AMERIO		Tyco Electronics AMP Italy	
QUESTO DISEGNO È UN DOCUMENTO DI PROPRIETÀ E RESPONSABILITÀ DELL'AMP INCORPORATED. È SOGGETTO A VARIAZIONI. PER OTTENERE L'ULTIMA REVISIONE DEL DISEGNO CONTATTARE L'UFFICIO TECNICO RESPONSABILE.		CHK/CONT. 09MAY2005 O. CANUTO		C.so F.lli Cervi 15 Collegno (To)	
DIMENSIONS: DIMENSIONI: mm		TOLERANCES UNLESS OTHERWISE SPECIFIED: TOLLERANZE, SE NON DIVERSAMENTE SPECIFICATO		NAME NOME	
0 PLC/DEC ±0.3 1 PLC/DEC ±0.3 2 PLC/DEC ±0.1 3 PLC/DEC ± 4 PLC/DEC ± ANGLES/ANGOLI ±		PRODUCT SPEC SPEC DI PRODOTTO		RECEPTACLE HOUSING 3 WAYS MCP 1.5 UNSEALED	
MATERIAL MATERIALE SEE NOTE		FINISH FINITURA -		SIZE CAGE CODE DRAWING NO NUMERO	
		WEIGHT PESO -		A3 00779 C=1745068	
		CUSTOMER DRAWING DISEGNO PER CLIENTE SOLO PER RIFERIMENTO		SCALE SCALA 4:1	
				SHEET FOGLIO 1 OF DI 1	
				REV A1	

X-ON Electronics

Largest Supplier of Electrical and Electronic Components

Click to view similar products for [Automotive Connectors](#) category:

Click to view products by [TE Connectivity](#) manufacturer:

Other Similar products are found below :

[003-018-000](#) [60403001](#) [60993906-B](#) [M902-2131](#) [M902-2161](#) [72.330.1035.1](#) [73.353.4028.0](#) [F119300-B](#) [F166900](#) [F258300-B](#) [F358300-B](#)
[F407400](#) [F444110](#) [F487000](#) [F509500B-B](#) [827153-1](#) [8N1515-32-24P](#) [9-1326729-8](#) [925474-1](#) [928905-1](#) [964562-4](#) [968782-1](#) [GT17SA-8DS-](#)
[HU](#) [98891-1012](#) [98947-1016](#) [12004147](#) [12004475-L](#) [12010290](#) [12010309-B](#) [12015454](#) [12020219-B](#) [12020308](#) [12041318-B](#) [12052225-L](#)
[12052466](#) [12059125](#) [12064869](#) [12004327-B](#) [12010503-B](#) [12015308](#) [12015384](#) [12015909](#) [1-21030-1](#) [12041254](#) [12041318](#) [12047946-B](#)
[12047957](#) [12047957-L](#) [12059473](#) [12066261](#)