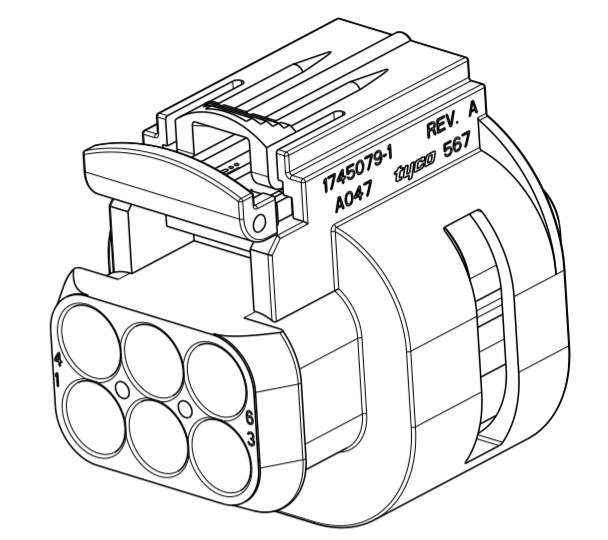
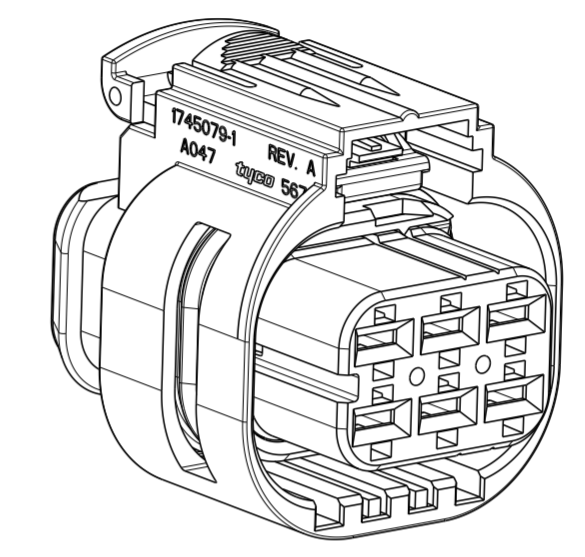
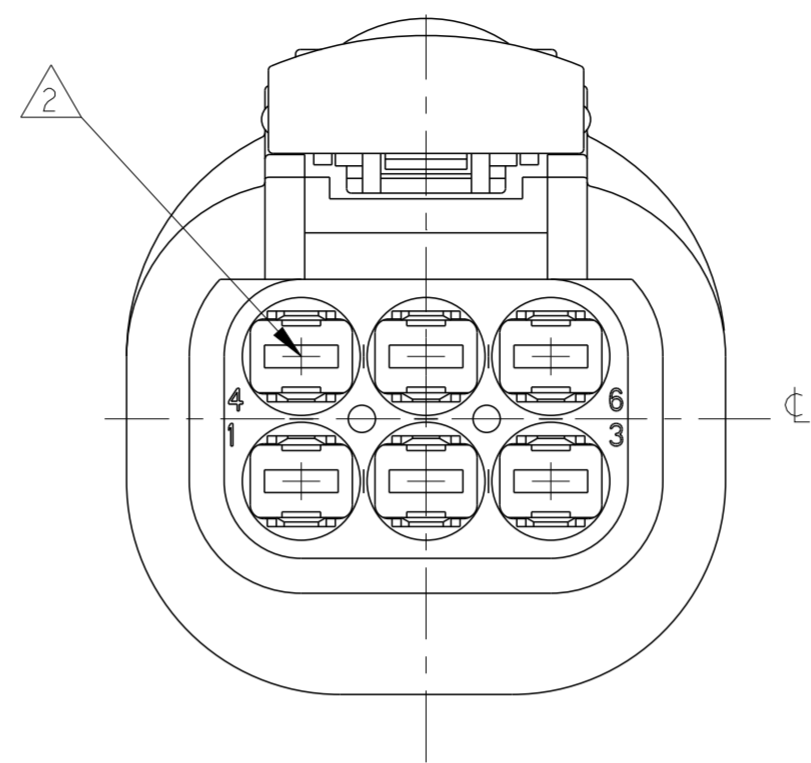
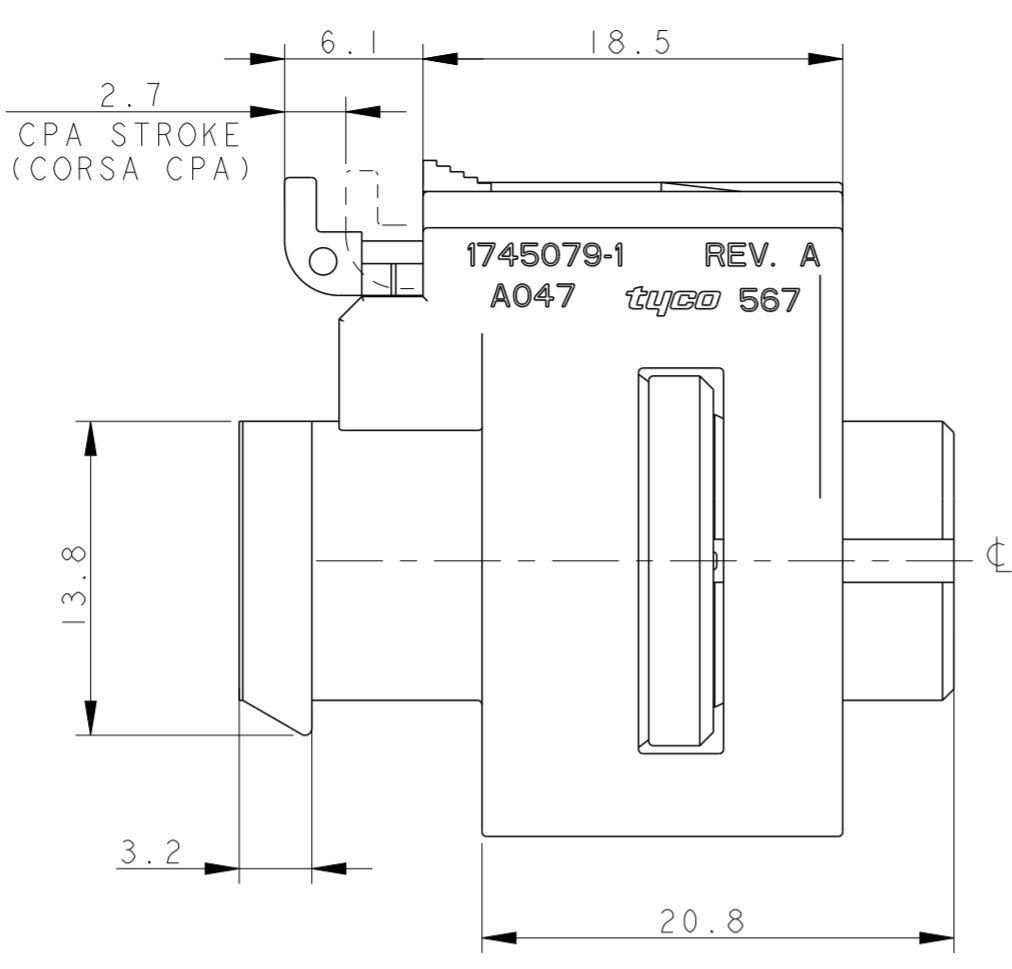
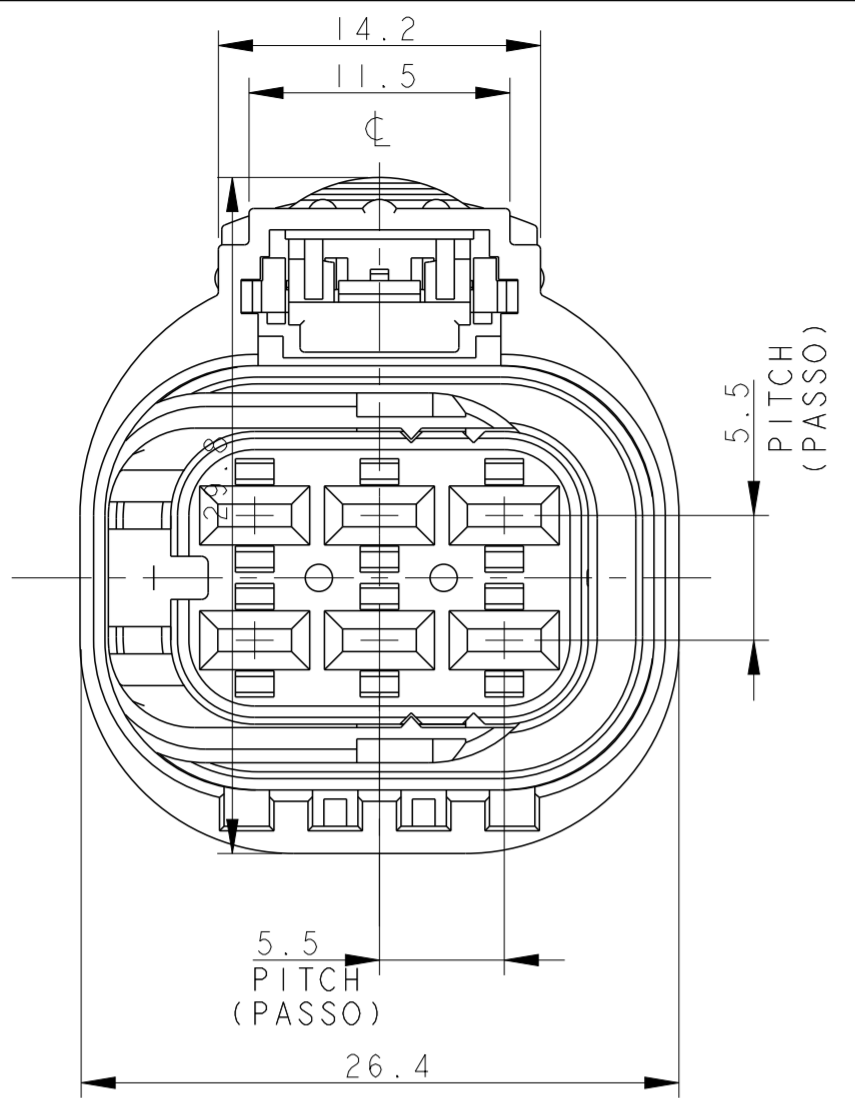
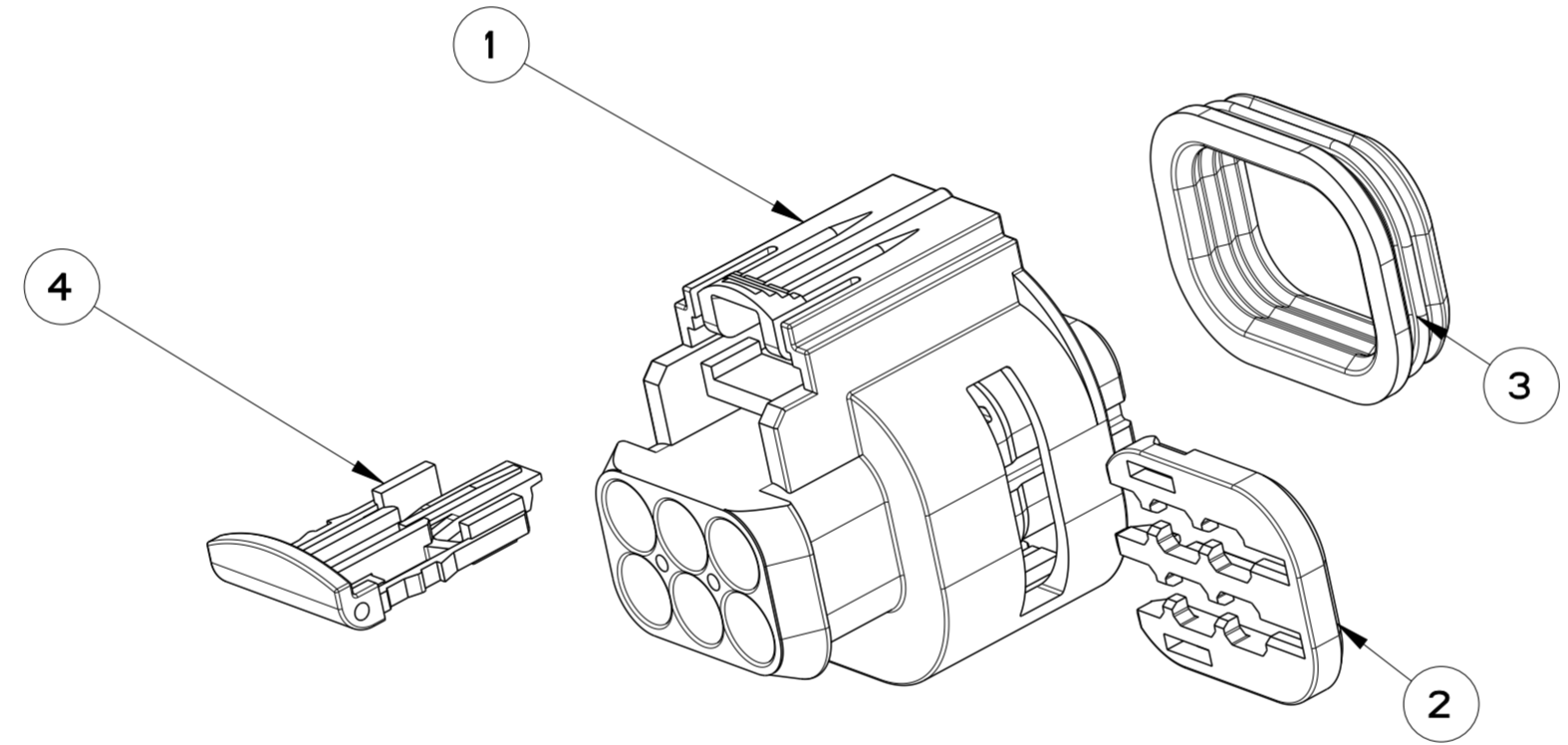
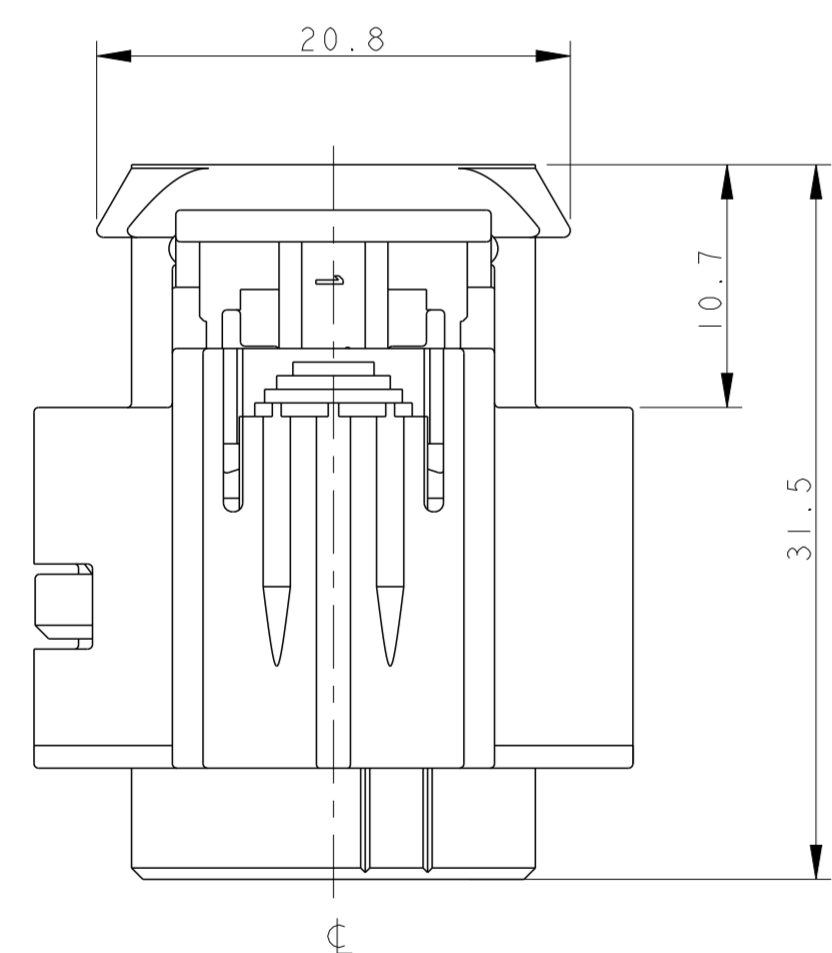


REVISIONS					
P	LTR	DESCRIPTION	DATE	DWN	APVD
A		RELEASED FOR PRODUCTION	17OCT2007	M.P.	R.M.
AI		ECO-16-007463	17MAY2016	M.P.	M.G.



SCALE 2:1



SCALE 2:1

1) FEMALE CONNECTOR SUPPLIED WITH SECONDARY LOCK AND C.P.A. PRE-ASSEMBLED

(CONNETTORE PORTAFEMMINE FORNITO CON AGGANCIAMENTO SECONDARIO E C.P.A. PRE-MONTATI)

2) CAVITY SUITABLE FOR AMP MCP 2.8K CONTACTS TIN PLTD:
 P/N 0-1241392-1 WIRE RANGE: 0.35 mm², WIRE SEAL P/N 963294-1
 P/N 0-1241394-1 WIRE RANGE: 0.5±1.0 mm², WIRE SEAL P/N 963294-1
 P/N 0-1241396-1 WIRE RANGE: >1.0+1.5 mm², WIRE SEAL P/N 963293-1
 P/N 0-1241396-1 WIRE RANGE: 2.5 mm², WIRE SEAL P/N 963292-1
 CAVITY PLUG P/N 828922-1

(CAVITA' ADATTA PER CONTATTI AMP MCP 2.8K STAGNATO:
 P/N 0-1241392-1 RANGO FILO 0.35 mm², GOMMINO P/N 963294-1
 P/N 0-1241394-1 RANGO FILO 0.5±1.0 mm², GOMMINO P/N 963294-1
 P/N 0-1241396-1 RANGO FILO >1.0+1.5 mm², GOMMINO P/N 963293-1
 P/N 0-1241396-1 RANGO FILO 2.5 mm², GOMMINO P/N 963292-1
 TAPPO CAVITA' P/N 828922-1

3) FOR COUNTERPART INTERFACE DRAWING SEE CUSTOMER DRAWING P/N 114-18642. WIRE TO WIRE COUNTERPART P/N 1452324

(PER IL DISEGNO DELLA CONTROPARTE DI INTERFACCIA, VEDERE DISEGNO CLIENTE P/N 114-18642. CONTROPARTE VOLANTE P/N 1452324)

P/N 1745078-2
 HOUSING: PBT GF COLOR BLACK (CONNETTORE: PBT CARICATO VETRO, NERO)
 4 PLUGGED CAVITIES (Nr. 2-5) (CAVITA' TAPPATE Nr. 2-5)

FRONT VIEW (VISTA FRONTALE) BACK VIEW (VISTA POSTERIORE)

SCALE 2:1

P/N 1745078-1 AS SHOWN (COME MOSTRATO)

ITEM	DESCRIPTION (DESCRIZIONE)	MATERIAL (MATERIALE)	COLOUR (COLORE)	Q.TY (Q.TA')
1	6POS. FEMALE HOUSING (6 VIE PORTA-FEMMINE)	PBT G.F.	GREY (GRIGIO)	1
2	SECONDARY LOCK (DISPOSITIVO SECONDARIO)	PA66 G.F.	RED (ROSSO)	1
3	PERIPHERAL SEAL (GUARNIZIONE)	LSR (GOMMA SILICONICA)	RED (ROSSO)	1
4	C.P.A.	PA66 G.F.	YELLOW (GIALLO)	1

THIS DRAWING IS A CONTROLLED DOCUMENT. DWN M. POLIZZI 06SEP2005
 CHK O. CANUTO 06SEP2005
 APVD A. GENIA 06SEP2005

DIMENSIONS: mm TOLERANCES UNLESS OTHERWISE SPECIFIED:
 0 PLC ±0.5
 1 PLC ±0.3
 2 PLC ±0.1
 3 PLC ±
 4 PLC ±
 ANGLES ±°

MATERIAL: SEE TABLE (VEDI TABELLA) FINISH: SEE TABLE (VEDI TABELLA)

PRODUCT SPEC: 108-20274
 APPLICATION SPEC: -
 WEIGHT: -

STE TE Connectivity

NAME: 6 POS AMP MCP 2.8K RECEPTACLE CONNECTOR ASSY (ASSEMBLATO) 6 VIE PER CONTATTO AMP MCP2.8K)

SIZE: A2 CAGE CODE: - DRAWING NO: C-1745078 RESTRICTED TO: -

CUSTOMER DRAWING SCALE: 3:1 SHEET: 1 OF 1 REV: AI

X-ON Electronics

Largest Supplier of Electrical and Electronic Components

Click to view similar products for [Automotive Connectors](#) category:

Click to view products by [TE Connectivity](#) manufacturer:

Other Similar products are found below :

[003-018-000](#) [60403001](#) [60993906-B](#) [M902-2131](#) [M902-2161](#) [M902-2344](#) [72.330.1035.1](#) [73.353.4028.0](#) [F119300-B](#) [F166900](#) [F258300-B](#)
[F358300-B](#) [F407400](#) [F444110](#) [F487000](#) [F509500B-B](#) [827153-1](#) [8N1515-32-24P](#) [9-1326729-8](#) [925474-1](#) [928905-1](#) [964562-4](#) [968782-1](#)
[GT17SA-8DS-HU](#) [98891-1012](#) [98947-1016](#) [12004147](#) [12004475-L](#) [12010290](#) [12010309-B](#) [12015454](#) [12020219-B](#) [12041318-B](#) [12052225-](#)
[L](#) [12052466](#) [12064869](#) [12004327-B](#) [12015308](#) [12015384](#) [12015909](#) [1-21030-1](#) [12041254](#) [12041318](#) [12047946-B](#) [12047957](#) [12047957-L](#)
[12059473](#) [12066261](#) [12110546](#) [12110546-B](#)