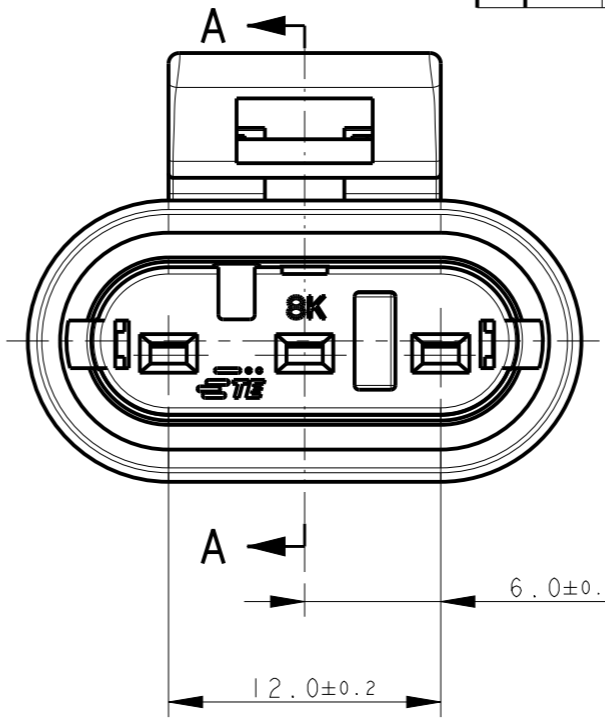
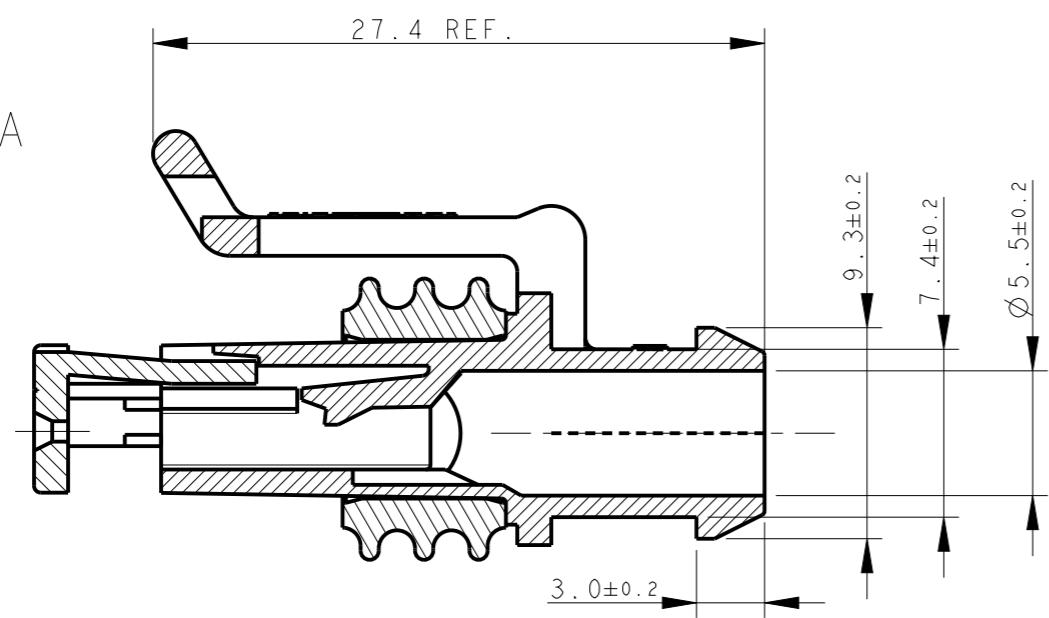


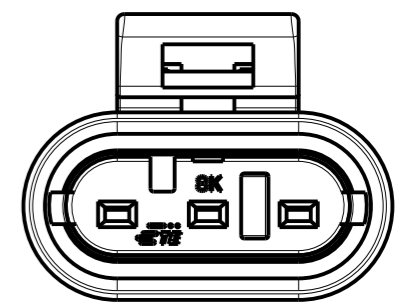
THIS DRAWING IS UNPUBLISHED. RELEASED FOR PUBLICATION 2011  
 © COPYRIGHT 2011 ALL RIGHTS RESERVED.

P	LTR	DESCRIPTION	DATE	DWN	APVD
C3		REVISED PER ECO-17-001706	10FEB2017	C. A.	M. G.
C4		REVISED PER ECO-18-012780	13AUG2018	AP	VN
C5		REVISED PER ECO-19-017338	15NOV2019	AP	VN
C6		REVISED PER ECR-21-103343	19MAY2021	AP	VN

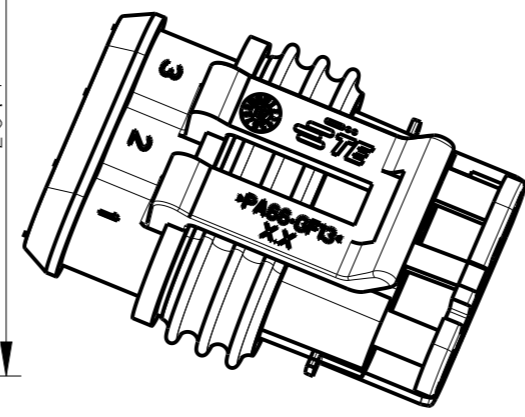
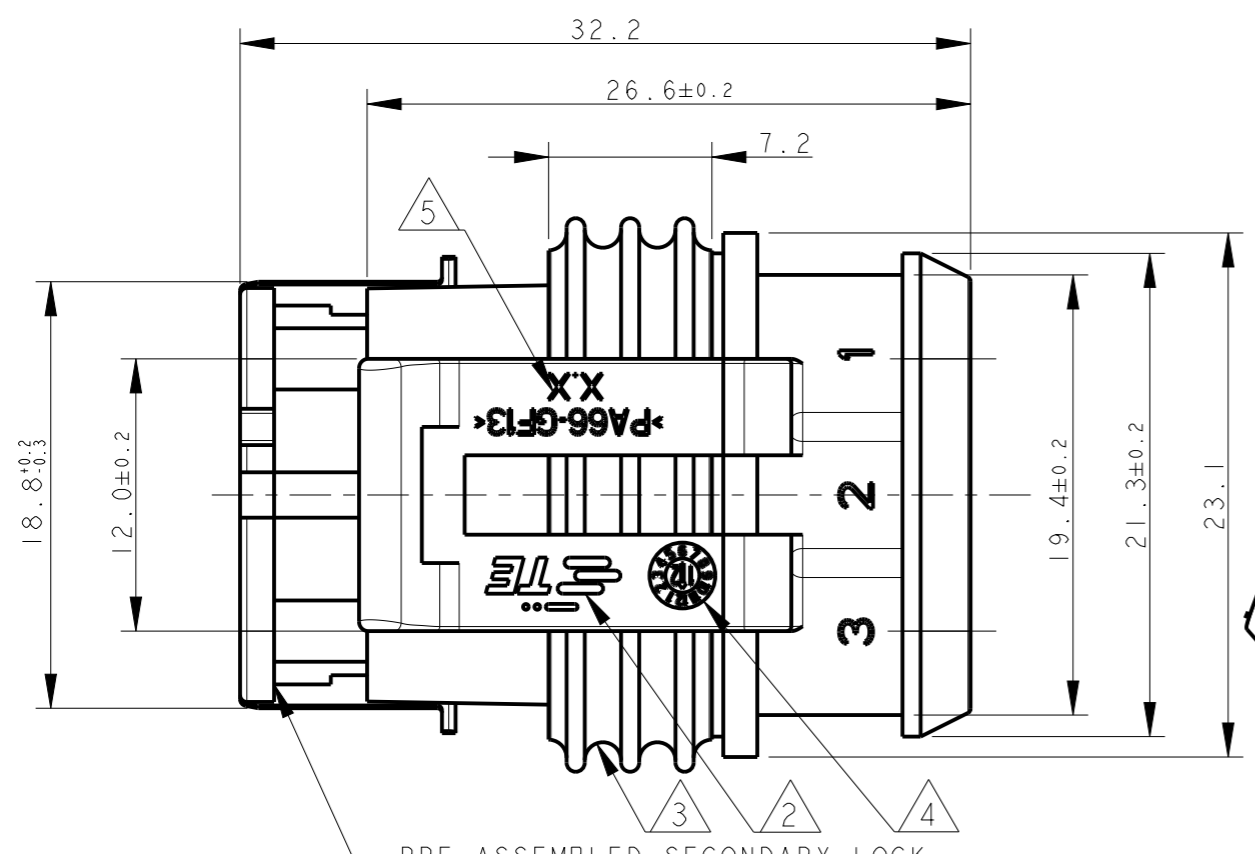
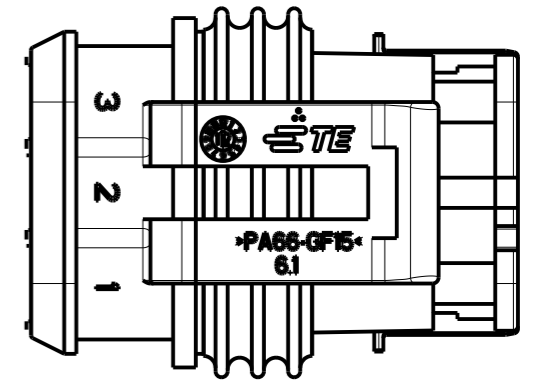
SECTION A-A



ONLY FOR BRAZILIAN PRODUCTION



ONLY FOR INDIAN PRODUCTION  
282087-3



(\*) PRELIMINARY

FINISH/COLOR	MATERIAL	PART NUMBER
HSG-WHITE, SL-WHITE	ACC. TO IEC 60335-1 HSG+SL: PA66GF20 UL94-V2 SEALING: LSR	1745083-1
HSG-GRAY, SL-RED	HOUSING+SEC.LOCK:PA 66-GF SEALING: FSL	1-282087-2 (*)
HSG-BLACK, SL-RED		1-282087-1 (*)
HSG-BLACK, SL-RED	HOUSING+SEC.LOCK:PA 66-GF SEALING: LSR	282087-3
HSG-GRAY, SL-RED		282087-2
HSG-BLACK, SL-RED		282087-1

PRE-ASSEMBLED SECONDARY LOCK (COLOUR RED/WHITE)

- 1) FOR COUNTERPART DETAILS, SEE SHEET 2 OF 2
- 2) TE CONNECTIVITY TRADE MARK, (IN ALTERNATIVE: "AMP" LOGO, OR "Tyco Electronics" LOGO)
- 3) SEALING (COLOUR YELLOW FOR LSR VERSION) (COLOUR WHITE FOR FSL VERSION)
- 4) DATECODE (OPTIONAL IN OLD MOULDS).
- 5) MOULD/MOULD CAVITY NUMBER

THIS DRAWING IS A CONTROLLED DOCUMENT.	
DIMENSIONS: mm	TOLERANCES UNLESS OTHERWISE SPECIFIED:
	0 PLC ±0.3
	1 PLC ±0.3
	2 PLC ±0.3
	3 PLC ±0.3
	4 PLC ±0.3
	ANGLES ±2°
MATERIAL SEE TABLE	FINISH SEE TABLE

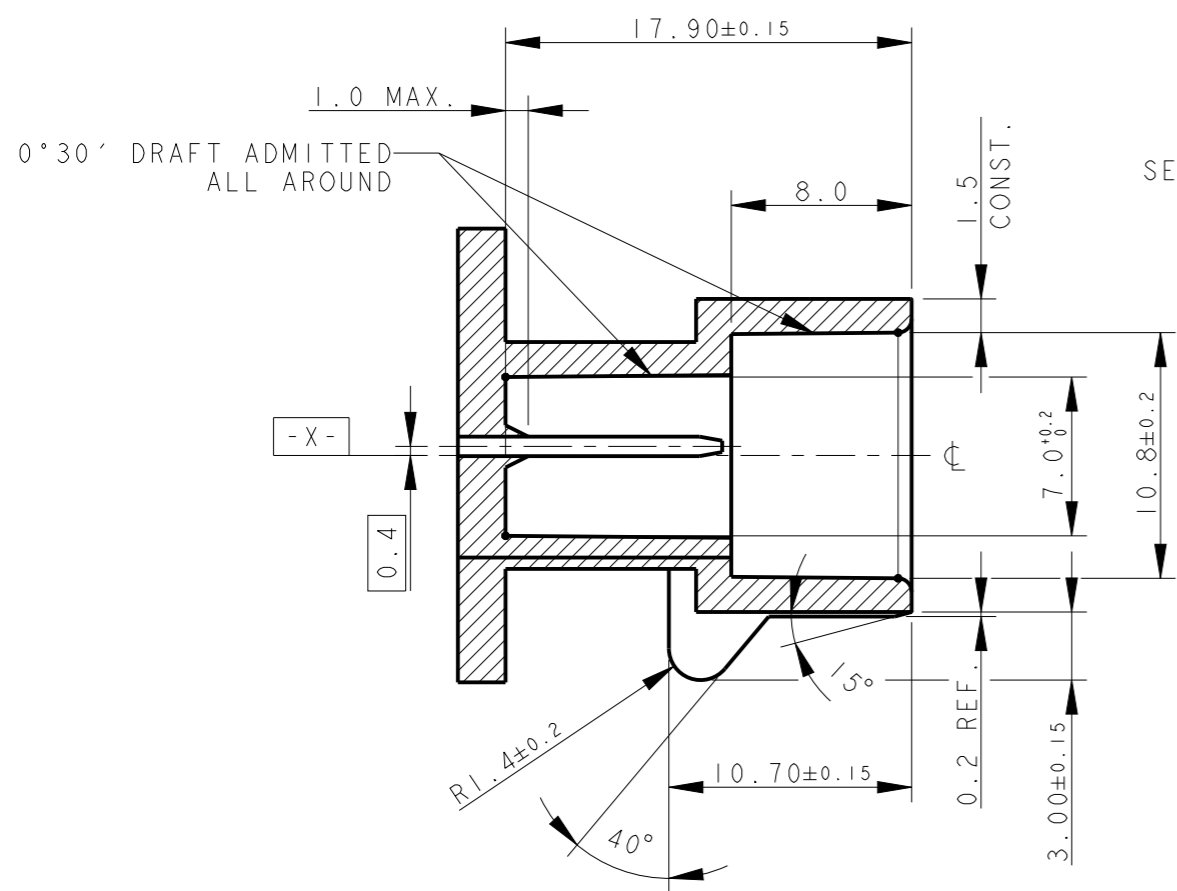
DWN C. BERTINI 07-1990	NAME
CHK A. BRUNI 07-1990	
APVD	
PRODUCT SPEC 108-20090	
APPLICATION SPEC 412-20000	
WEIGHT 3.65gr	
Customer Drawing	

TE Connectivity			
AMP SUPERSEAL 1.5 SRS. 3 POSITIONS PLUG ASS'Y			
SIZE A3	CAGE CODE 00779	DRAWING NO C-282087	RESTRICTED TO
SCALE 5:1	SHEET 1 OF 2	REV C6	

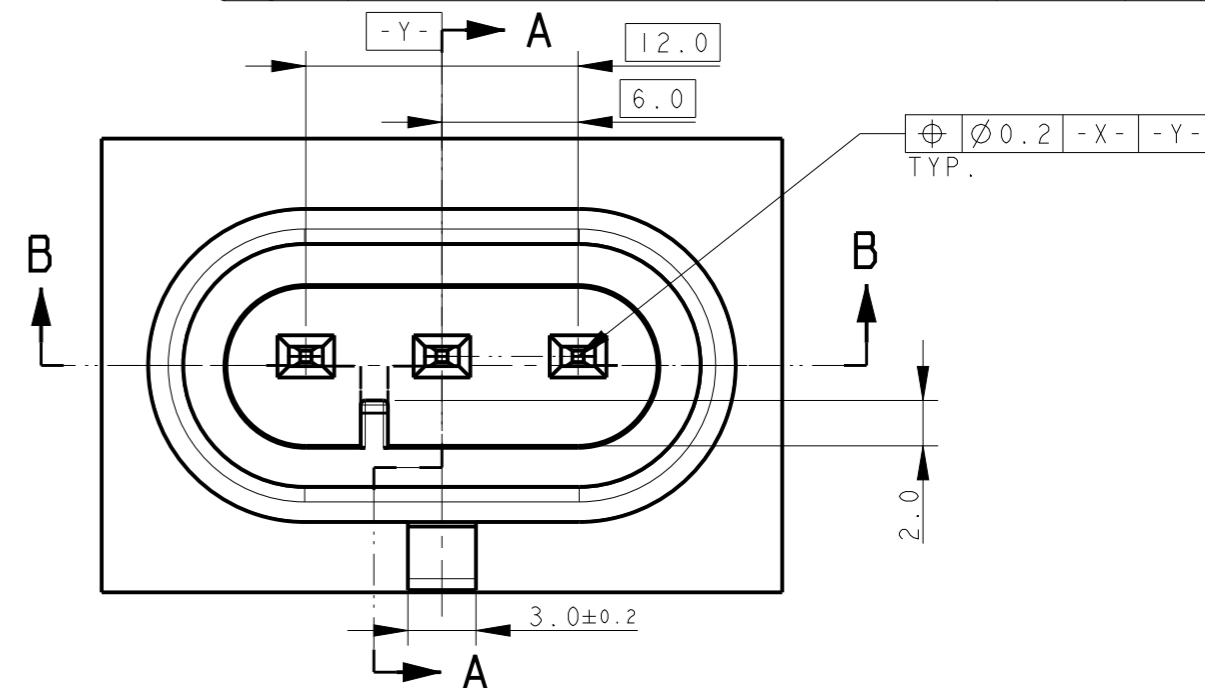
REVISIONS

P	LTR	DESCRIPTION	DATE	DWN	APVD
-	-	SEE SHEET 1	-	-	-

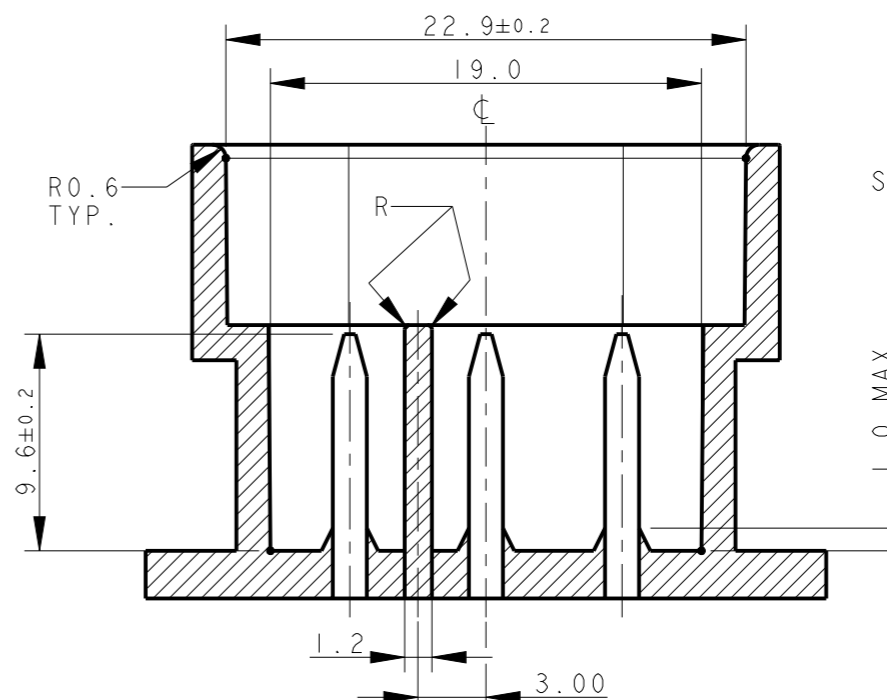
COUNTERPART DETAILS



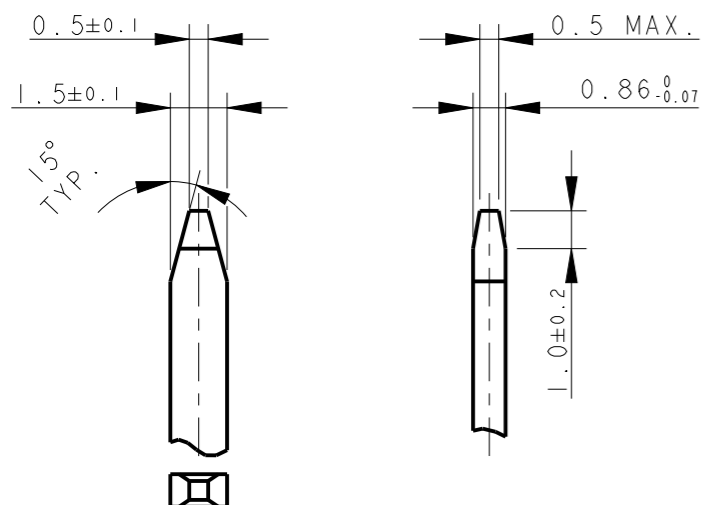
SECTION A - A



SECTION B - B



TAB DETAILS



**MATERIALS:** PA66-GF FOR HOUSING  
 TIN PLATED BRASS FOR TABS  
 FOR PN 1745083-1: COUNTER PART MATL  
 PART PA66-GF ACC TO IEC60335-1  
 PRODUCT SPEC: 108-20090-2

THIS DRAWING IS A CONTROLLED DOCUMENT.

DWN 07-1990

C. BERTINI

CHK 07-1990

A. BRUNI

APVD

NAME



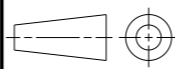
TE Connectivity

DIMENSIONS:

mm

TOLERANCES UNLESS OTHERWISE SPECIFIED:

- 0 PLC ±0.3
- 1 PLC ±0.1
- 2 PLC ±0.05
- 3 PLC ±
- 4 PLC ±
- ANGLES ±2°



MATERIAL



FINISH



PRODUCT SPEC

108-20090

APPLICATION SPEC

412-20000

WEIGHT

3.65gr

SIZE

CAGE CODE

DRAWING NO

RESTRICTED TO

AMP SUPERSEAL 1.5 SRS.  
3 POSITIONS PLUG ASS'Y

A3

00779

C-282087

SCALE

3:1

SHEET

2 OF 2

REV

C6

Customer Drawing

## X-ON Electronics

Largest Supplier of Electrical and Electronic Components

*Click to view similar products for [Automotive Connectors](#) category:*

*Click to view products by [TE Connectivity](#) manufacturer:*

Other Similar products are found below :

[003-018-000](#) [60403001](#) [60993906-B](#) [M902-2131](#) [M902-2161](#) [72.330.1035.1](#) [73.353.4028.0](#) [F119300-B](#) [F166900](#) [F258300-B](#) [F358300-B](#)  
[F407400](#) [F444110](#) [F487000](#) [F509500B-B](#) [827153-1](#) [8N1515-32-24P](#) [9-1326729-8](#) [925474-1](#) [928905-1](#) [964562-4](#) [968782-1](#) [GT17SA-8DS-](#)  
[HU](#) [98891-1012](#) [98947-1016](#) [12004147](#) [12004475-L](#) [12010290](#) [12010309-B](#) [12015454](#) [12020219-B](#) [12020308](#) [12041318-B](#) [12052225-L](#)  
[12052466](#) [12059125](#) [12064869](#) [12004327-B](#) [12010503-B](#) [12015308](#) [12015384](#) [12015909](#) [1-21030-1](#) [12041254](#) [12041318](#) [12047946-B](#)  
[12047957](#) [12047957-L](#) [12059473](#) [12066261](#)