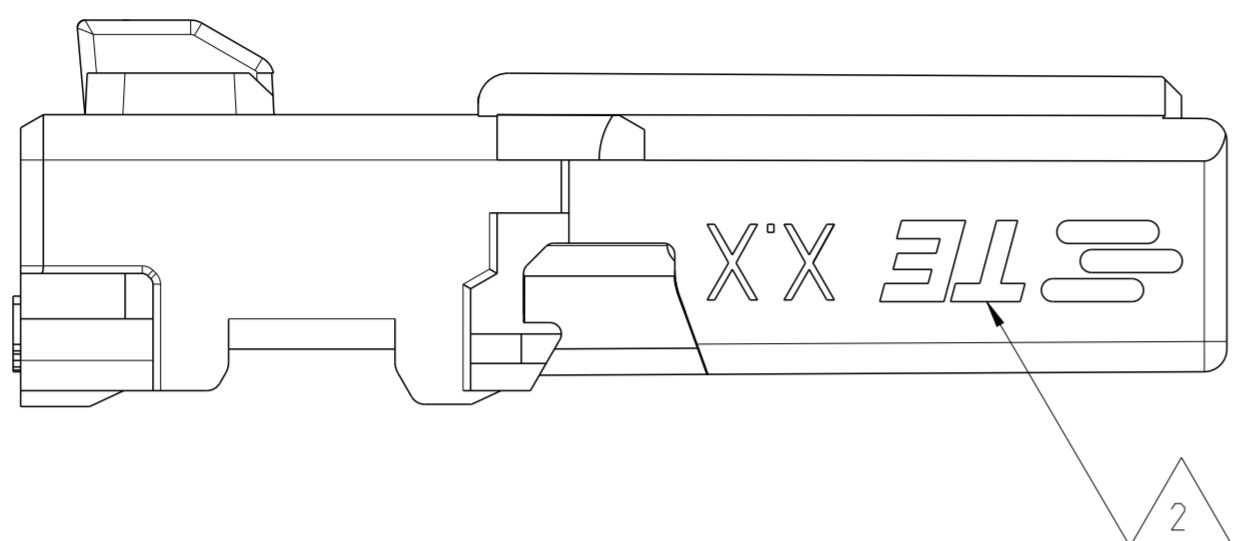


THIS DRAWING IS UNPUBLISHED.  
 VERTRAULICHE UNVERÖFFENTLICHTE ZEICHNUNG  
 © COPYRIGHT 2017 BY TE Connectivity Germany GmbH

RELEASED FOR PUBLICATION  
 FREI FUER VERÖFFENTLICHUNG  
 ALL RIGHTS RESERVED.  
 ALLE RECHTE VORBEHALTEN.

MATED WITH:  
 PASSEND ZU:

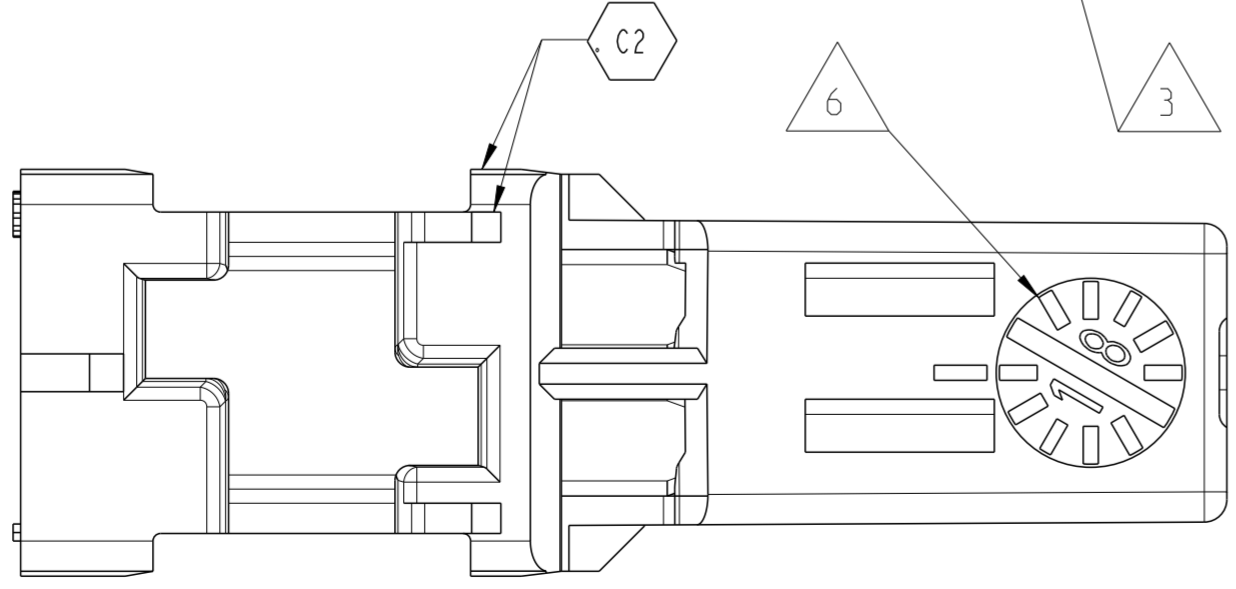
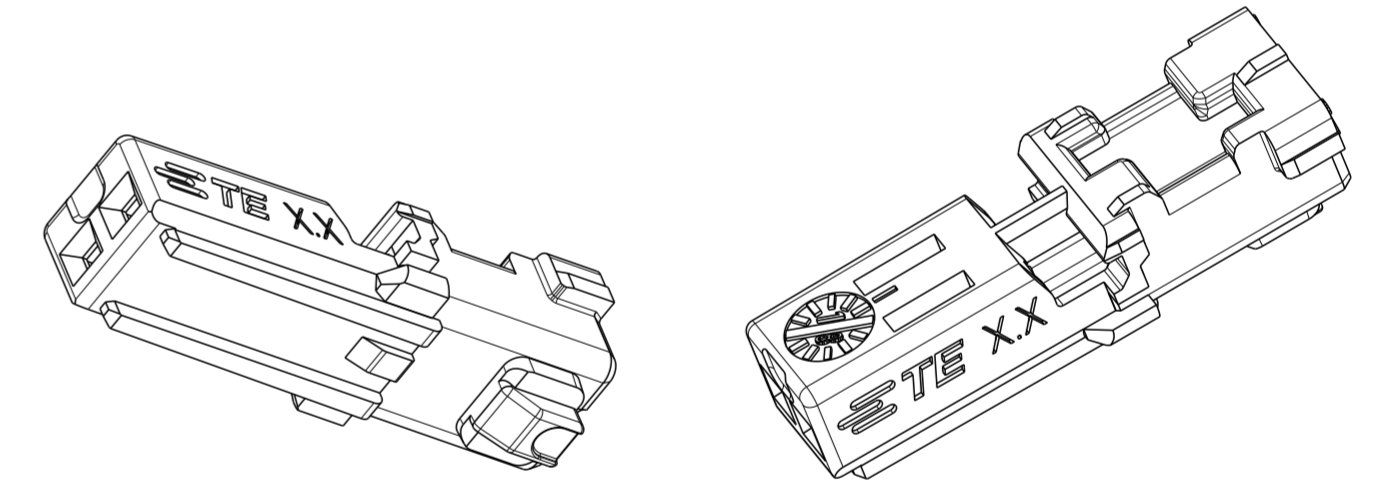
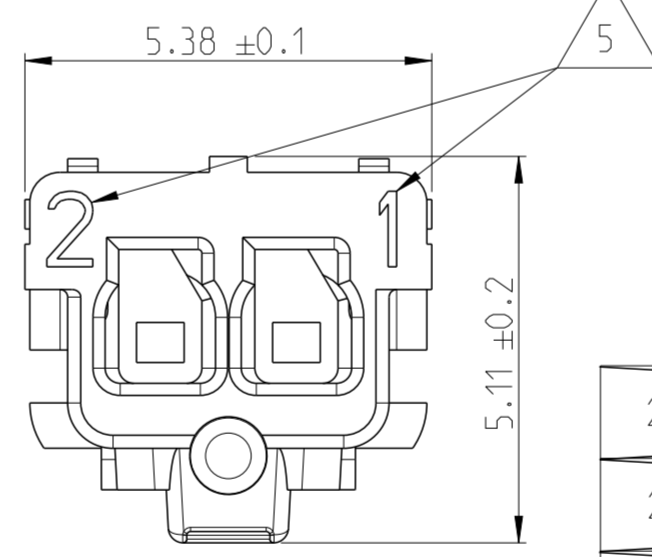
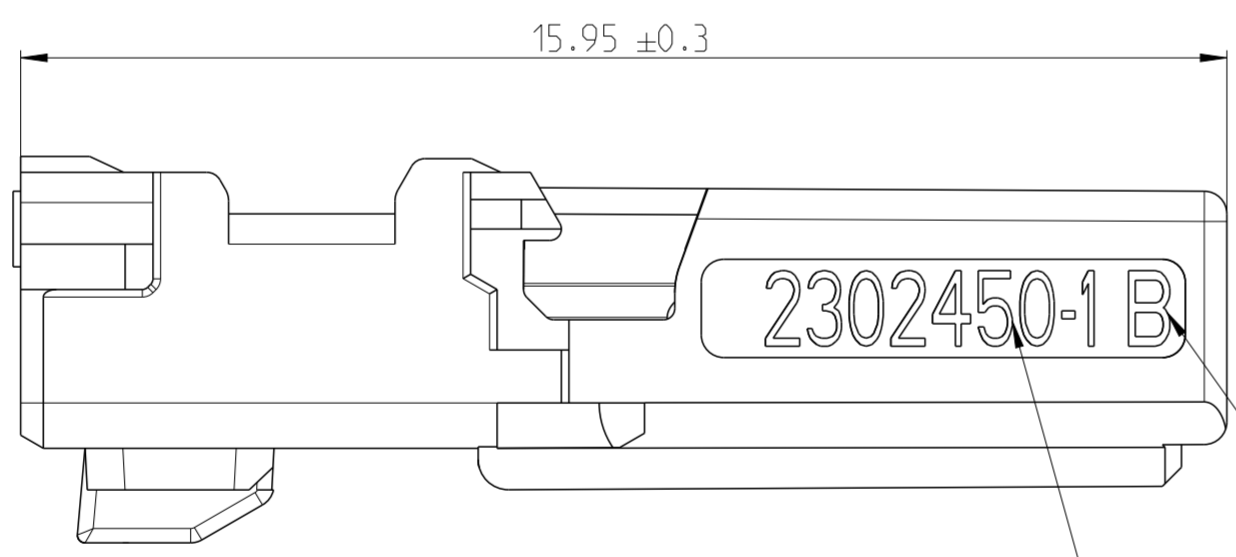
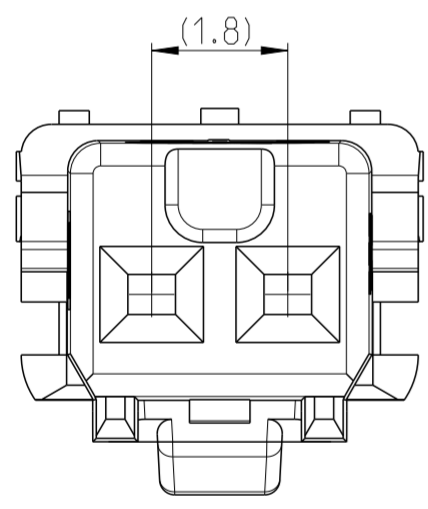
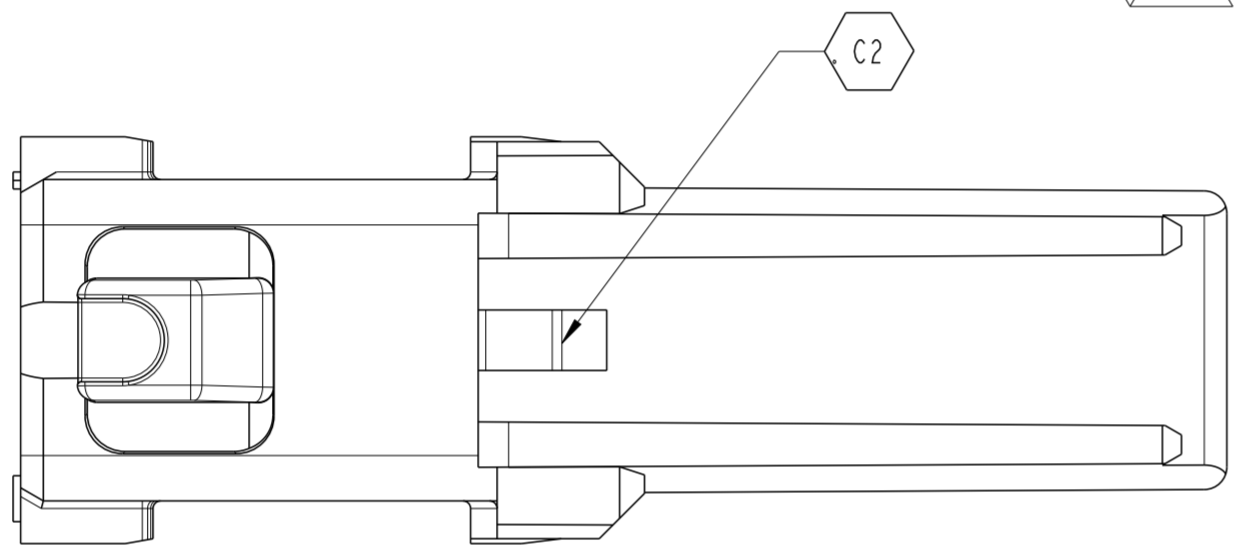
PROJEKT NR.:		REVISIONS ÄNDERUNGEN			
P	LTR	DESCRIPTION BESCHREIBUNG	DATE	DWN	APVD
B1	E-17-011574	Added Serial Part	09AUG2017	RW	AK
C	E-18-003849		09APR2018	DK	AK
C1	E-18-008153	Added Variant 1-2302450-1 (Page 2)	28MAY2018	RW	AK
C2	E-18-015417	minor shape update	27SEP2018	RW	AK



Kammer CAVITY	ALL CAVITIES
Buchsenkontakt SOCKET CONTACT	Nano MQS
max. DGB [mm²] MAX. DGB [mm²]	0.35mm² FLR
max. Isolation Ø MAX. ISOLATION Ø	1.3mm
Zeichnung TE DRAWING TE	1703930

Notizen / NOTES:

- 1 2302450-1 wie dargestellt  
2302450-1 AS SHOWN
- 2 TE-Logo  
TE-LOGO
- 3 TE Teil Nummer  
TE PART NUMBER
- 4 Revisionsstand  
PART REVISION
- 5 Kontaktkammernummer  
CONTACT CAVITY NUMBER
- 6 Produktionsdatum  
PRODUCTION DATE
- 7 Verpackung: Schuetztgut im Beutel im Karton  
PACKAGING: LOOSE PIECES IN BAG IN BOX
- 8 zugehoeriger Kontakt siehe Tabelle:  
SUITABLE FOR CONTACT SEE TABLE:



2302450-6	B	MATenet 2Pos. NanoMQS, FEMALE INSERT MODUL, violet	0.2	HeatherViolet 4003	
2302450-5	B	MATenet 2Pos. NanoMQS, FEMALE INSERT MODUL, brown	0.2	FawnBrown 8007	
2302450-4	B	MATenet 2Pos. NanoMQS, FEMALE INSERT MODUL, blue	0.2	SignalBlue 5005	
2302450-3	B	MATenet 2Pos. NanoMQS, FEMALE INSERT MODUL, yellow	0.2	CurryYellow 1027	
2302450-2	B	MATenet 2Pos. NanoMQS, FEMALE INSERT MODUL, green	0.2	EmeraldGreen 6001	
2302450-1	B	MATenet 2Pos. NanoMQS, FEMALE INSERT MODUL, black	0.2	Black 9005	
PART No.	Rev.	DESCRIPTION	MATERIAL	WEIGHT [g]	COLOUR similar RAL

THIS DRAWING IS A CONTROLLED DOCUMENT. DIMENSIONING AND TOLERANCING PER GPS (ISO STANDARDS)

DWN: J. KIESSWEITER 16AUG2016  
 CHK: R. WUERKER 16AUG2016  
 APVD: A. KETTLER 29AUG2016

TE Connectivity

MATenet, 2Pos., nanoMQS, FEMALE INSERT MODUL

SIZE: A2 CAGE CODE: 00779 DRAWING NO: C-2302450

MATERIAL: see table TOLERANCES UNLESS OTHERWISE SPECIFIED: ALLGEMEINTOLERANZEN

0 PLC	±0.2
1 PLC	±0.1
2 PLC	±0.1
3 PLC	±
4 PLC	±
ANGLES/WINKEL	±°
FINISH/OBERFLAECHE/FARBE	-

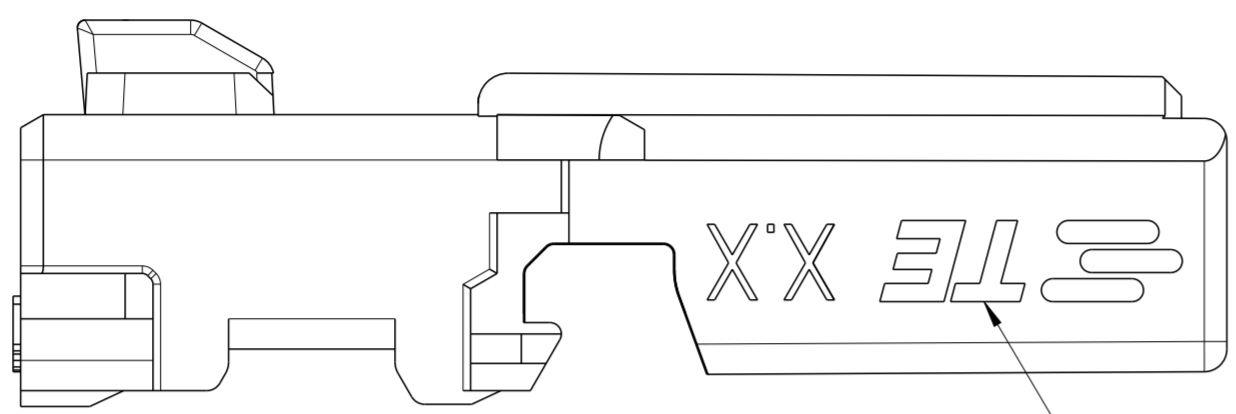
SCALE: MASSSTAB 5:1 SHEET: BLATT 1 OF 3 REV: C2

THIS DRAWING IS UNPUBLISHED  
VERTRÄGLICHE UNVERÖFFENTLICHTE ZEICHNUNG  
© COPYRIGHT 2017 BY TE Connectivity Germany GmbH

RELEASED FOR PUBLICATION  
FREI FÜR VERÖFFENTLICHUNG  
ALL RIGHTS RESERVED.  
ALLE RECHTE VORBEHALTEN.

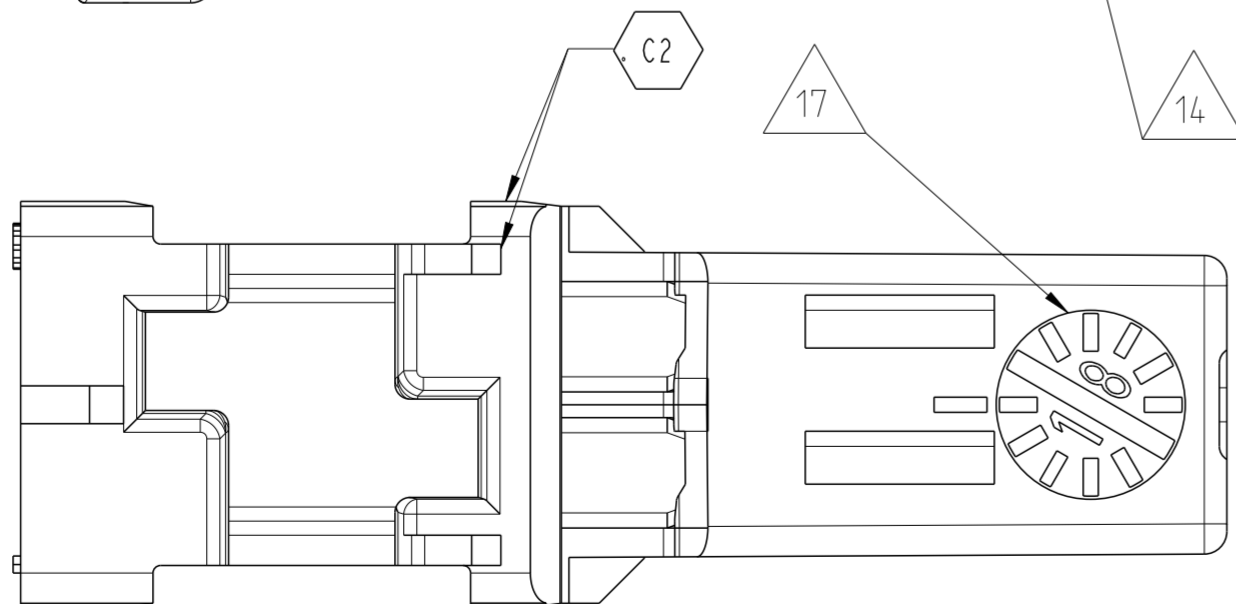
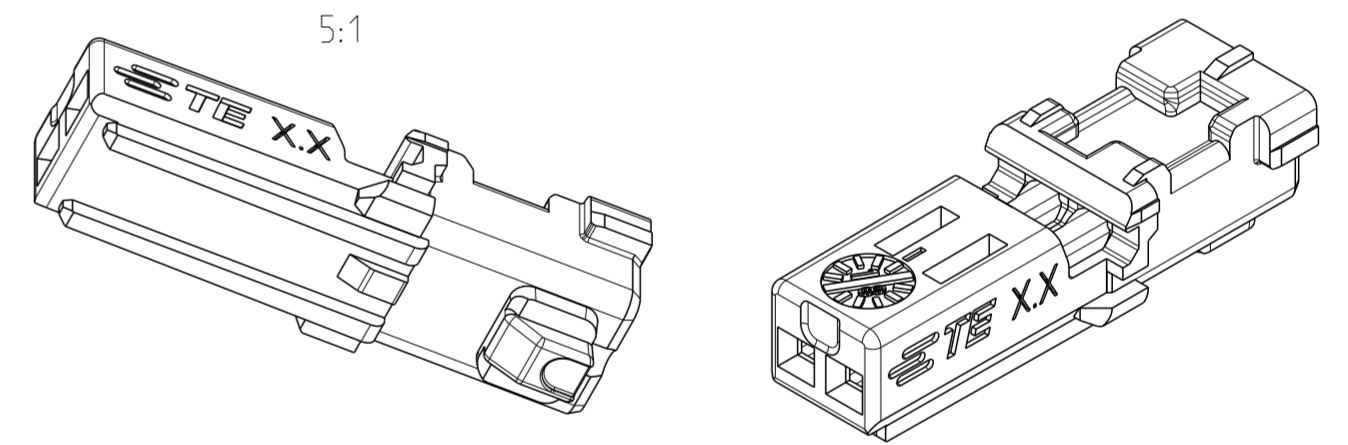
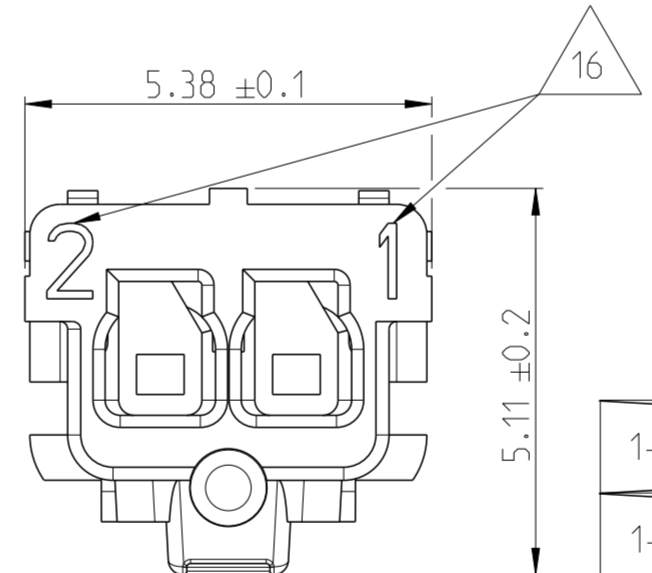
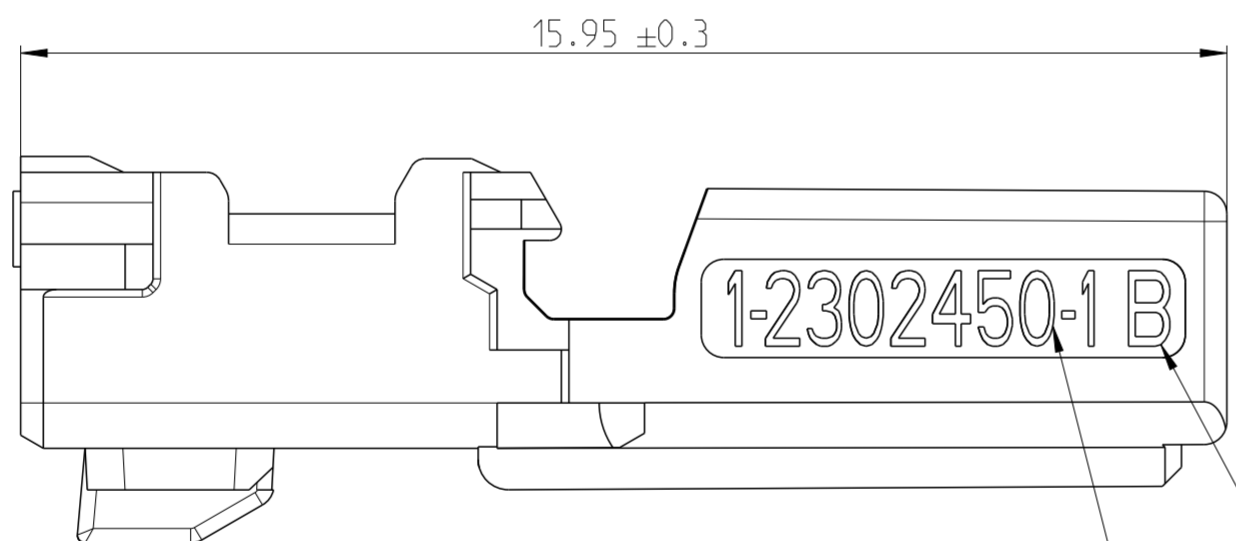
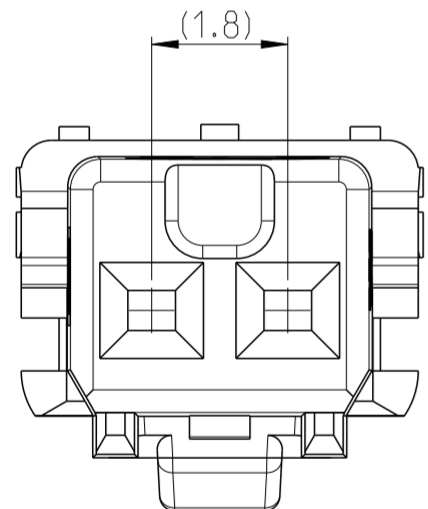
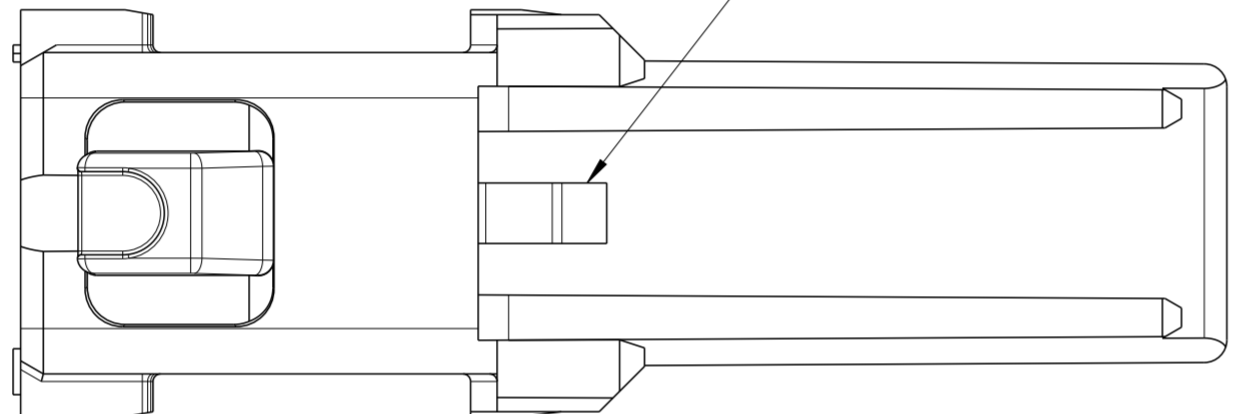
MATED WITH  
PASSEND ZU:

PROJEKT NR.:		REVISIONS ÄNDERUNGEN			
P	LTR	DESCRIPTION BESCHREIBUNG	DATE	DWN	APVD
-	-	SEE SHEET 1	-	-	-



Kammer CAVITY	ALL CAVITIES
Buchsenkontakt SOCKET CONTACT	Nano MQS
max. DGB [mm <sup>2</sup> ] MAX. DGB [mm <sup>2</sup> ]	0.35mm <sup>2</sup> FLR
max. Isolation Ø MAX. ISOLATION Ø	1.3mm
Zeichnung TE DRAWING TE	1703930

- Notizen / NOTES:
- 11 1-2302450-1 wie dargestellt  
1-2302450-1 AS SHOWN
  - 12 Sondervariante, nicht fuer PoDL Anwendungen geeignet  
SPECIAL VARIANT, NOT SUITABLE FOR PoDL APPLICATIONS
  - 13 TE-Logo  
TE-LOGO
  - 14 TE Teil Nummer  
TE PART NUMBER
  - 15 Revisionsstand  
PART REVISION
  - 16 Kontaktkammernummer  
CONTACT CAVITY NUMBER
  - 17 Produktionsdatum  
PRODUCTION DATE
  - 18 Verpackung: Schuettgut im Beutel im Karton  
PACKAGING: LOOSE PIECES IN BAG IN BOX
  - 19 zugehoeriger Kontakt siehe Tabelle:  
SUITABLE FOR CONTACT SEE TABLE:



PART No.	Rev.	DESCRIPTION	MATERIAL	WEIGHT [g]	COLOUR similar RAL
1-2302450-6	B	MATenet 2Pos. NanoMQS, FEMALE INSERT MODUL, violet	PA66-GF30 0% regrind	0.2	HeatherViolet 4003
1-2302450-5	B	MATenet 2Pos. NanoMQS, FEMALE INSERT MODUL, brown	PA66-GF30 0% regrind	0.2	FawnBrown 8007
1-2302450-4	B	MATenet 2Pos. NanoMQS, FEMALE INSERT MODUL, blue	PA66-GF30 0% regrind	0.2	SignalBlue 5005
1-2302450-3	B	MATenet 2Pos. NanoMQS, FEMALE INSERT MODUL, yellow	PA66-GF30 0% regrind	0.2	CurryYellow 1027
1-2302450-2	B	MATenet 2Pos. NanoMQS, FEMALE INSERT MODUL, green	PA66-GF30 0% regrind	0.2	EmeraldGreen 6001
1-2302450-1	B	MATenet 2Pos. NanoMQS, FEMALE INSERT MODUL, black	PA66-GF30 0% regrind	0.2	Black 9005

THIS DRAWING IS A CONTROLLED DOCUMENT. DIMENSIONING AND TOLERANCING PER GPS (ISO STANDARDS)

DWN: J. KIESSWEITER 16 AUG 2016  
CHK: R. WUERKER 16 AUG 2016  
APVD: A. KETTLER 29 AUG 2016

TE Connectivity

MATENet, 2Pos., nanoMQS, FEMALE INSERT MODUL

SIZE: A2 CAGE CODE: 00779 DRAWING NO. ZEICHNUNGS-NR.: C-2302450 RESTRICTED TO NUR FÜR: -

MATERIAL: see table DIMENSIONS: MASSEINHEITEN: (mm) TOLERANCES UNLESS OTHERWISE SPECIFIED: ALLGEMEINTOLERANZEN: 0 PLC ±0.2 1 PLC ±0.1 2 PLC ±0.1 3 PLC ± 4 PLC ± ANGLES/WINKEL ±° FINISH/OBERFLÄCHE/FARBE: -

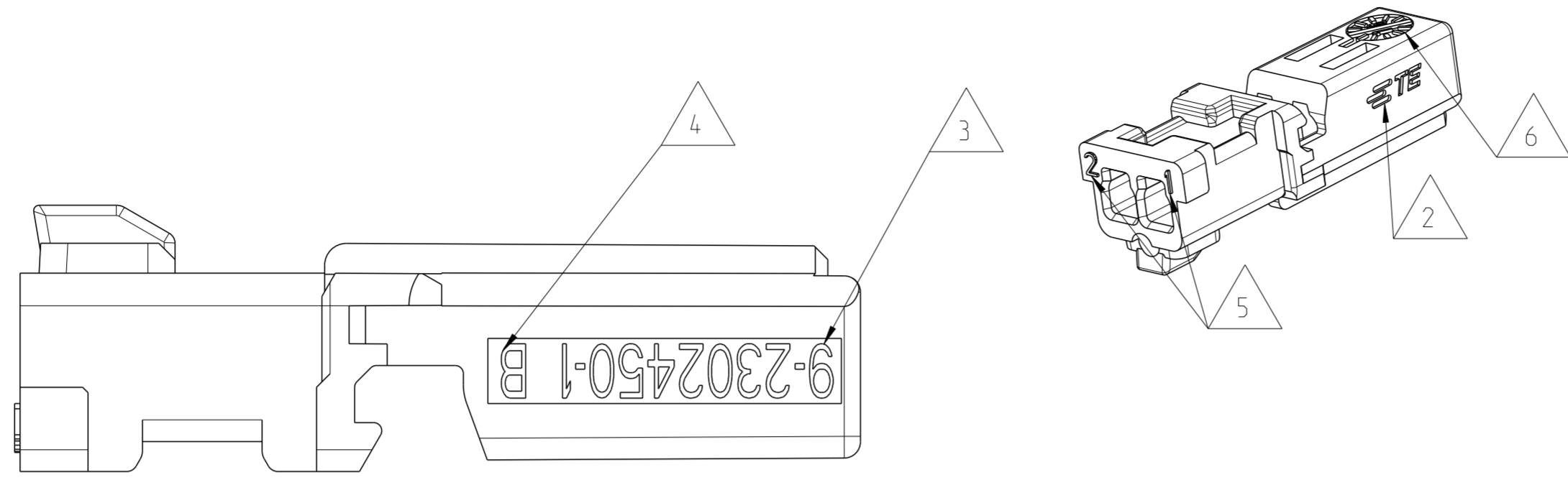
CUSTOMER DRAWING /KUNDENZEICHNUNG SCALE MASSSTAB 10:1 SHEET BLATT 2 OF VON 3 REV: C2

THIS DRAWING IS UNPUBLISHED.  
 VERTRAULICHE UNVERÖFFENTLICHTE ZEICHNUNG  
 © COPYRIGHT 2017 BY TE Connectivity Germany GmbH

RELEASED FOR PUBLICATION  
 FREI FUER VERÖFFENTLICHUNG  
 ALL RIGHTS RESERVED.  
 ALLE RECHTE VORBEHALTEN.

MATED WITH:  
 PASSEND ZU:

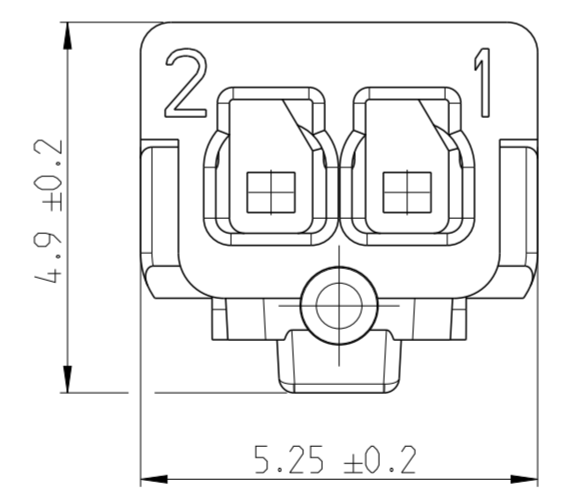
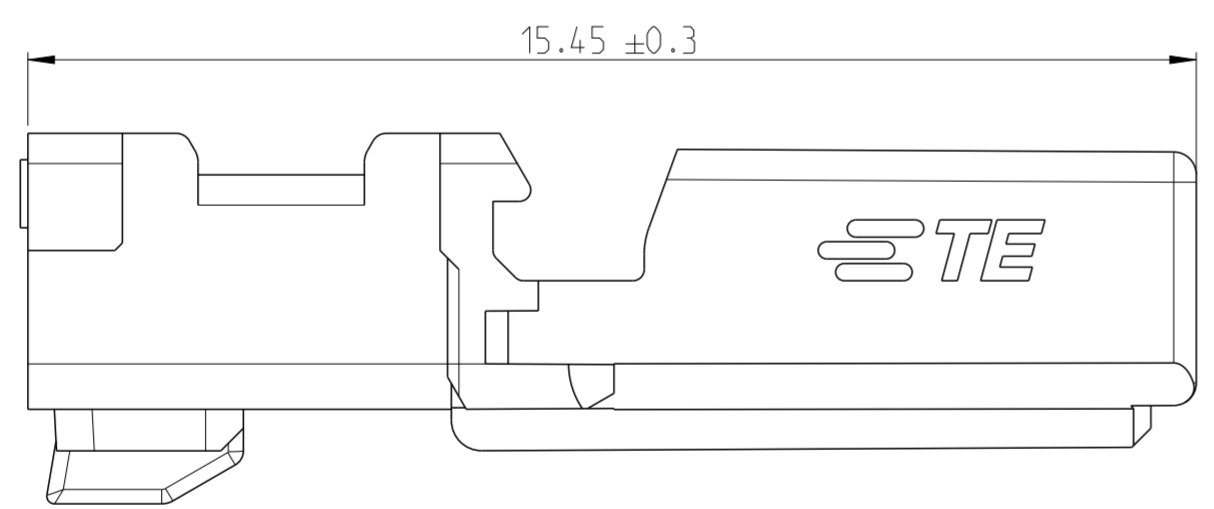
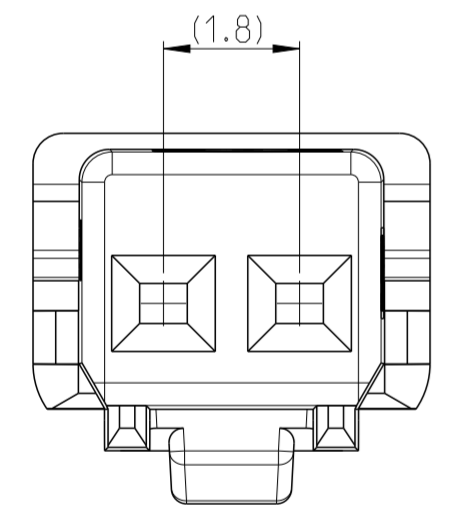
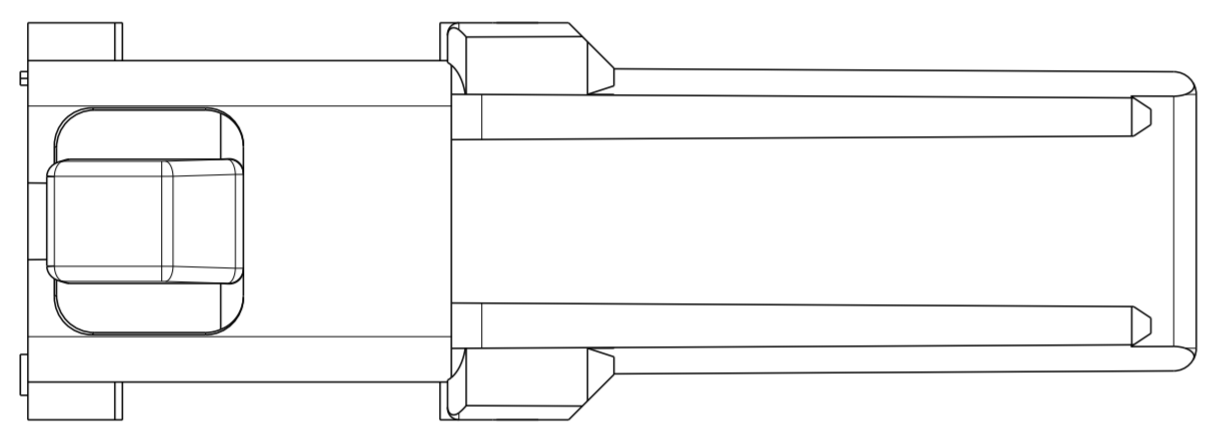
PROJEKT NR.:		REVISIONS ÄNDERUNGEN			
P	LTR	DESCRIPTION BESCHREIBUNG	DATE	DWN	APVD
-	-	SEE SHEET 1	-	-	-



Notizen / NOTES:

- 1 9-2302450-1 wie dargestellt  
9-2302450-1 AS SHOWN
- 2 TE-Logo  
TE-LOGO
- 3 TE Teil Nummer  
TE PART NUMBER
- 4 Revisionsstand  
PART REVISION
- 5 Kontaktkammernummer  
CONTACT CAVITY NUMBER
- 6 Produktionsdatum  
PRODUCTION DATE
- 7 Verpackung: Schuettgut im Beutel im Karton  
PACKAGING: LOOSE PIECES IN BAG IN BOX
- 8 zugehoeriger Kontakt siehe Tabelle:  
SUITABLE FOR CONTACT SEE TABLE:

Kammer CAVITY	ALL CAVITIES
Buchsenkontakt SOCKET CONTACT	Nano MQS
max. DGB [mm <sup>2</sup> ] MAX. DGB [mm <sup>2</sup> ]	0.35mm <sup>2</sup> FLR
max. Isolation Ø MAX. ISOLATION Ø	1.3mm
Zeichnung TE DRAWING TE	1703930



**NUR FUER B-MUSTER  
FOR PROTOTYPE B-SAMPLES ONLY**

9-2302450-6	B	MATenet 2Pos. NanoMQS, FEMALE INSERT MODUL, violet	0.21	HeatherViolet 4003	
9-2302450-5	B	MATenet 2Pos. NanoMQS, FEMALE INSERT MODUL, brown	0.21	FawnBrown 8007	
9-2302450-4	B	MATenet 2Pos. NanoMQS, FEMALE INSERT MODUL, blue	0.21	SignalBlue 5005	
9-2302450-3	B	MATenet 2Pos. NanoMQS, FEMALE INSERT MODUL, yellow	0.21	CurryYellow 1027	
9-2302450-2	B	MATenet 2Pos. NanoMQS, FEMALE INSERT MODUL, green	0.21	EmeraldGreen 6001	
9-2302450-1	B	MATenet 2Pos. NanoMQS, FEMALE INSERT MODUL, black	PA66-GF30 0% regrind	0.21 Black 9005	
PART No.	Rev.	DESCRIPTION	MATERIAL	WEIGHT [g]	COLOUR similar RAL

THIS DRAWING IS A CONTROLLED DOCUMENT. DIMENSIONING AND TOLERANCING PER GPS (ISO STANDARDS)		DWN J.KIESSWEITER 16AUG2016	TE Connectivity		
DIMENSIONS: MASSEINHEITEN: (mm)		CHK R.WUERKER 16AUG2016			
TOLERANCES UNLESS OTHERWISE SPECIFIED: ALLGEMEINTOLERANZEN		APVD A.KETTLER 29AUG2016	SIZE A2	CAGE CODE 00779	DRAWING NO. ZEICHNUNGS-NR. C-2302450
0 PLC ±0.2 1 PLC ±0.1 2 PLC ±0.05 3 PLC ± 4 PLC ±		PRODUCT SPEC 108-94568	RESTRICTED TO NUR FUER		REV C2
ANGLES/WINKEL ±° FINISH/OBERFLAECHE/FARBE		APPLICATION SPEC VERARBEITUNGSSPEZ. 114-94431	SCALE MASSSTAB 5:1		SHEET BLATT 3 OF 3
MATERIAL see table		WEIGHT GEWICHT -	CUSTOMER DRAWING /KUNDENZEICHNUNG		REV C2

## X-ON Electronics

Largest Supplier of Electrical and Electronic Components

*Click to view similar products for [Automotive Connectors](#) category:*

*Click to view products by [TE Connectivity](#) manufacturer:*

Other Similar products are found below :

[003-018-000](#) [60993906-B](#) [72.330.1035.1](#) [776880-1](#) [827153-1](#) [9-1326729-8](#) [9-221607-5](#) [925474-1](#) [928905-1](#) [964562-4](#) [968782-1](#) [12004468](#)  
[12004475-L](#) [12004483](#) [12052466](#) [12066163](#) [12015909](#) [12077753](#) [1-21030-1](#) [12047957](#) [12047958](#) [12084688](#) [12185550](#) [12336-12](#) [1-](#)  
[326211-1](#) [13681974](#) [13688972](#) [13755420](#) [13779834](#) [13783086](#) [13843152](#) [13522378](#) [13581967](#) [13669624](#) [13675513](#) [13753471](#) [13946876](#)  
[13953457](#) [13955963](#) [13964573](#) [13971791](#) [13790534-L](#) [13797473](#) [13805590](#) [13888202](#) [1428188-1](#) [1437287-3](#) [1428188-2](#) [DS07-19S-5020](#)  
[1456983-5](#)