

THIS DRAWING IS UNPUBLISHED.

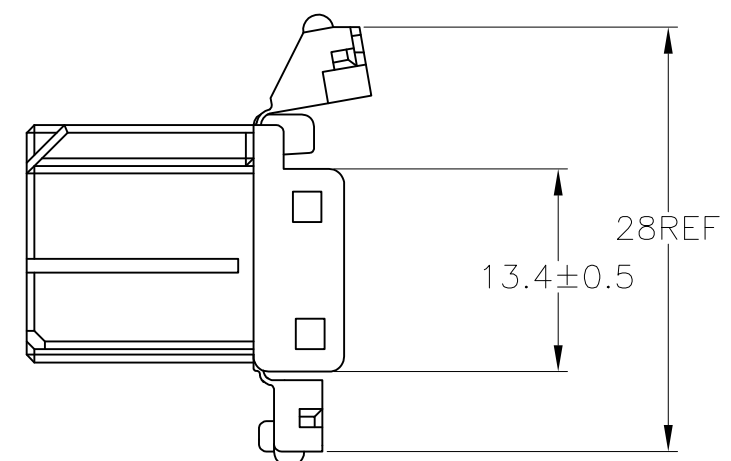
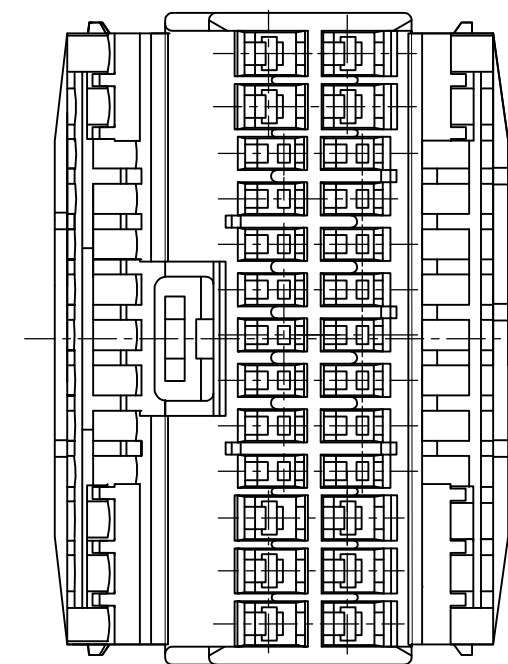
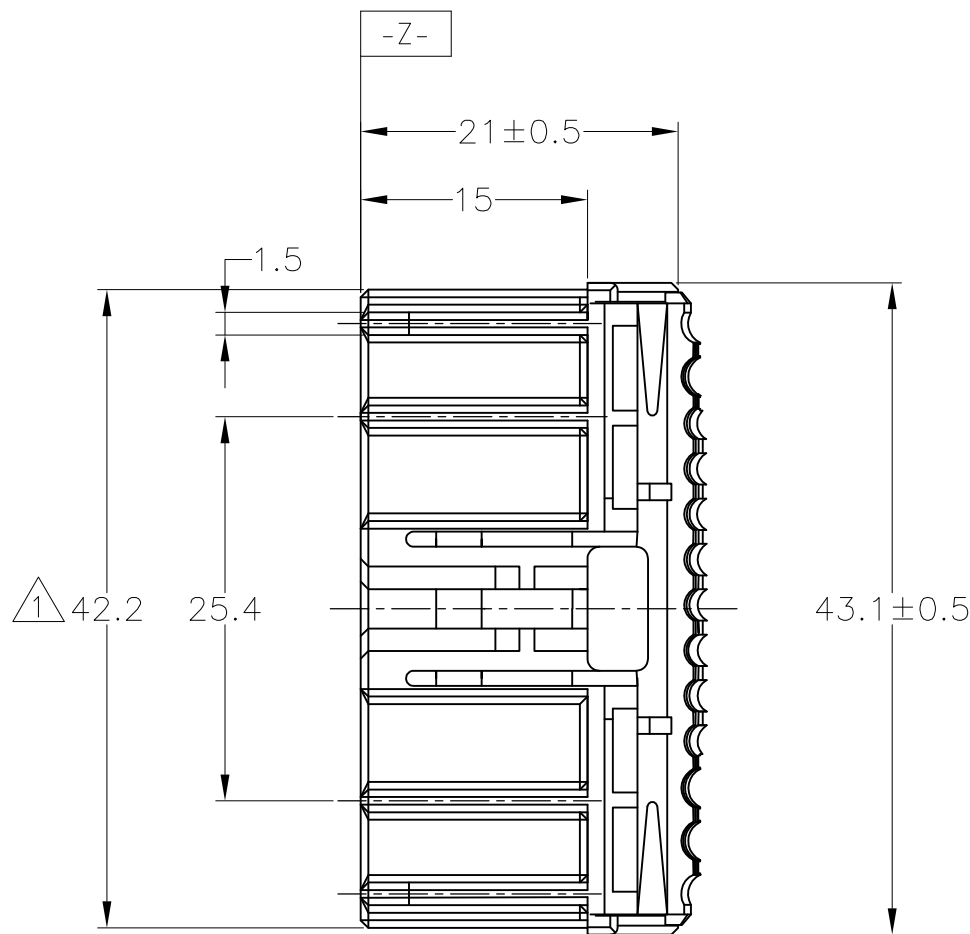
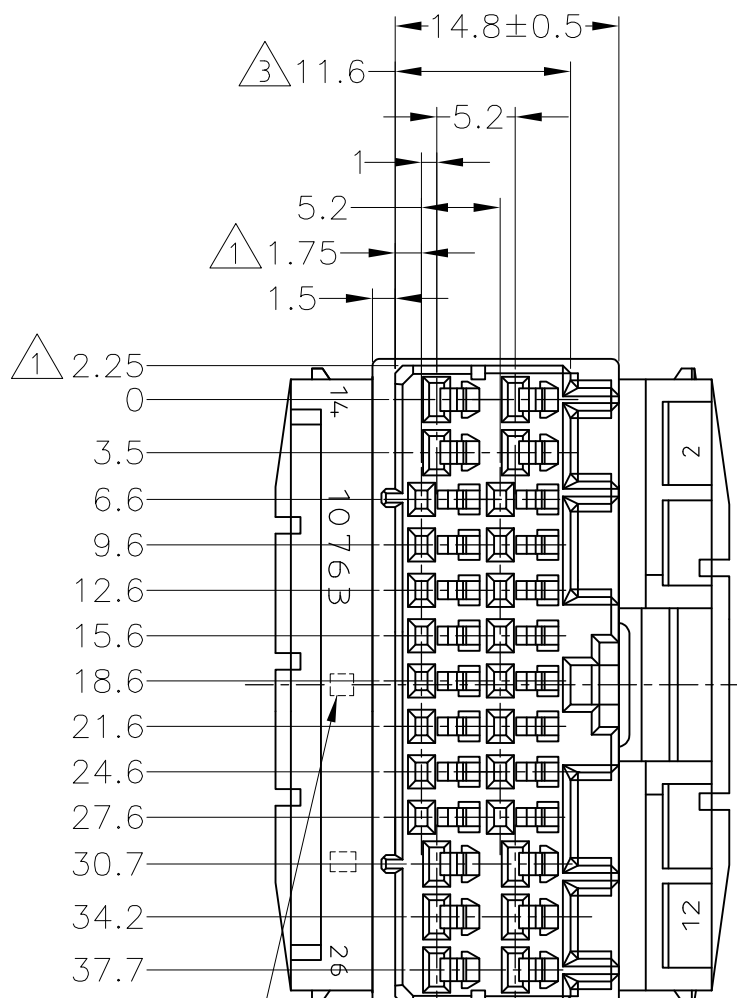
RELEASED FOR PUBLICATION

-. -. .

© COPYRIGHT - By -

ALL RIGHTS RESERVED.

LOC J	DIST -	REVISIONS		
P	LTR	DESCRIPTION	DATE	DWN
	E3	REVISED PER ECO-11-005140	28MAR11	RK
				APVD HMR



1. MUST BE KEPT BETWEEN **-Z-** AND 2mm.
 2. THE MATING CAP HOUSING PART NUMBER ; 174518
 3. APPLIED CONTACT PART NUMBER ; 173631, 173716, 173630, 175094
 4. APPLICABLE PRODUCT SPECIFICATION NUMBER ; 108-5280

1. **-Z-** 面より 2mm の範囲で測定
 2. 嵌合相手ハウジング型番 ; 174518
 3. 内装するリセプタクルコンタクト型番 ; 173631, 173716, 173630, 175094
 4. 適用製品規格番号 ; 108-5280

	YELLOW	174516-7
OBSOLETE	LIGHT GRAY	6-174516-6
	GRAY	174516-6
	BLACK	174516-2
	WHITE	174516-1
	COLOR	PART NUMBER

GENERAL TOLERANCE	
0<* < 10	: ±0.2
10<* < 30	: ±0.25
30<* < 100	: ±0.3
ANGLES	: ±3°

THIS DRAWING IS A CONTROLLED DOCUMENT.		DWN T.SHINOHARA 09JUL10	STE TE Connectivity	
DIMENSIONS: mm		CHK K.BETSUI 09JUL10		
TOLERANCES UNLESS OTHERWISE SPECIFIED:		APVD K.BETSUI 09JUL10	NAME	
0 PLC ± -		PRODUCT SPEC		
1 PLC ± -		SEE NOTE 4		
2 PLC ± -		APPLICATION SPEC		
3 PLC ± -		SIZE	CAGE CODE	DRAWING NO
4 PLC ± -		A3 00779		C-174516
ANGLES ± -		RESTRICTED TO		
FINISH		WEIGHT		
PBT		-		
		CUSTOMER DRAWING		SCALE 2:1
		SHEET 1 OF 1		REV E3

X-ON Electronics

Largest Supplier of Electrical and Electronic Components

Click to view similar products for [Headers & Wire Housings](#) category:

Click to view products by [TE Connectivity](#) manufacturer:

Other Similar products are found below :

[95000-104TRLF](#) [10135584-644402LF](#) [DF62W-EP2022PCA](#) [95000-106TRLF](#) [DF62W-2022SCA](#) [DF62W-EP2022PC](#) [2203348](#) [DF62W-2022SC](#) [1084018](#) [1029039](#) [1084017](#) [802-10-012-10-002000](#) [1112640](#) [1112639](#) [000-34000](#) [0009482033](#) [0009507031](#) [57102-S06-03LF](#) [57202-S52-04LF](#) [PCN6-15S-2.5E](#) [0039019024](#) [58102-G61-06LF](#) [582553-1](#) [0009508121](#) [0050291907](#) [018731A](#) [LY20-4P-DT1-P1E-BR](#) [02.125.8002.8](#) [60101931](#) [60598-1 \(Cut Strip\)](#) [M1625-3R/100](#) [61062-3](#) [61082-181009](#) [636-1427](#) [638009-1](#) [641938-9](#) [641991-4](#) [644168-1](#) [647662-1](#) [65039-019ELF](#) [65817-002LF](#) [65817-015LF](#) [65863-015LF](#) [66207-023LF](#) [67016-026LF](#) [67046-001LF](#) [67095-007LF](#) [68002-116](#) [68016-236H](#) [68648-049](#)