

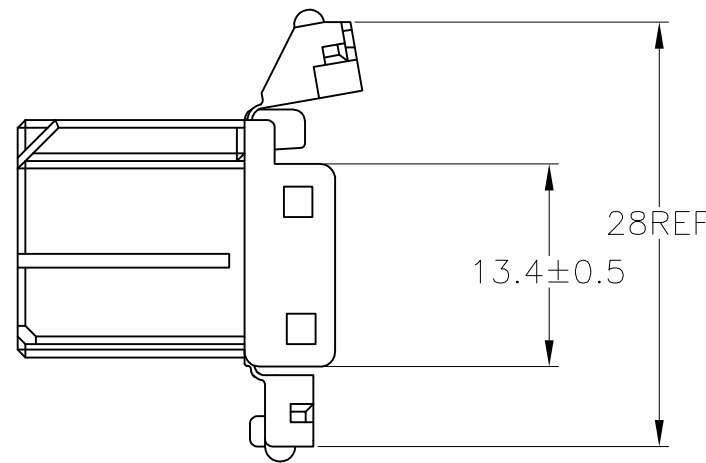
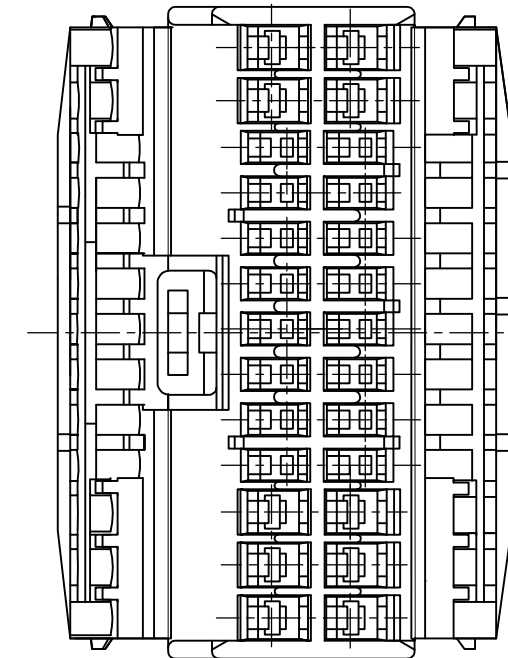
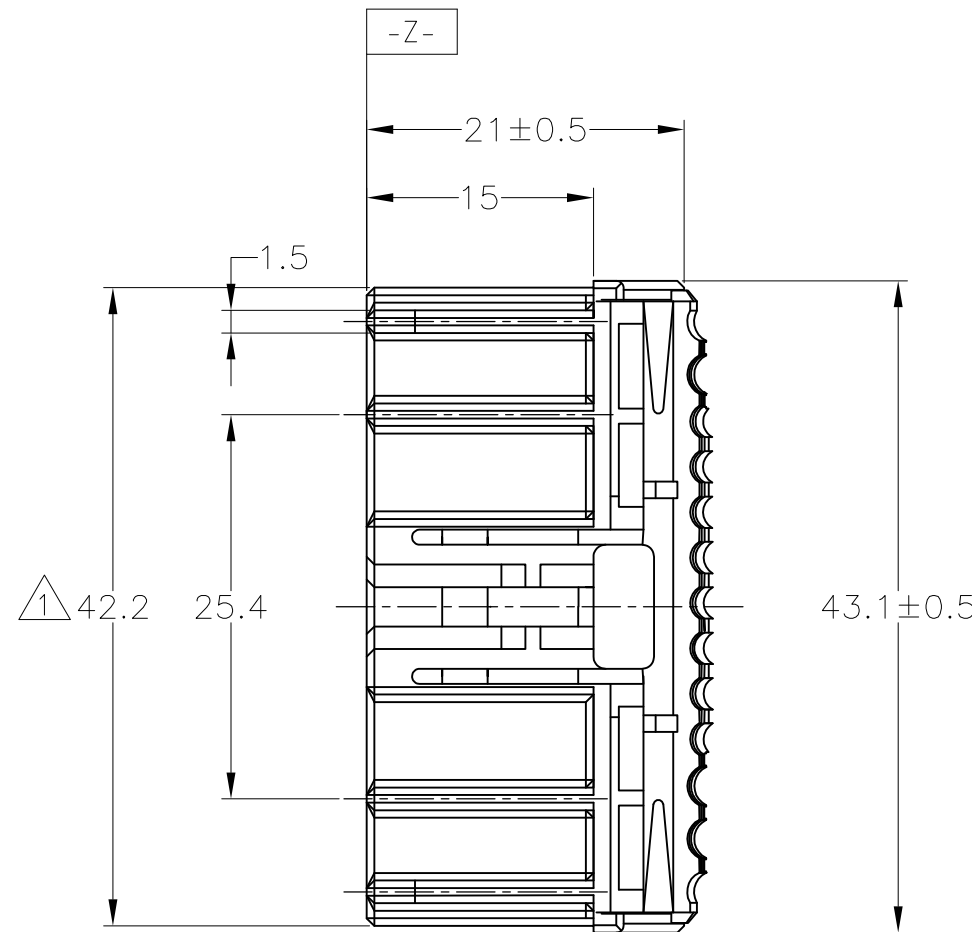
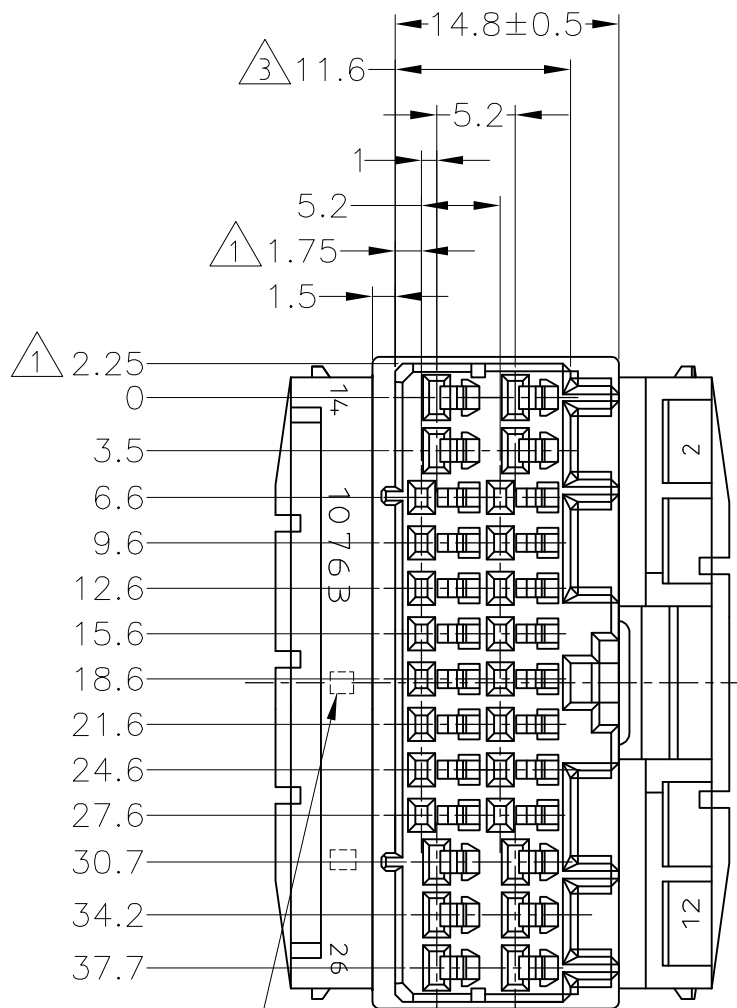
THIS DRAWING IS UNPUBLISHED.

RELEASED FOR PUBLICATION

ALL RIGHTS RESERVED.

© COPYRIGHT - By -

LOC J	DIST -	REVISIONS		
P	LTR	DESCRIPTION	DATE	DWN
	E3	REVISED PER ECO-11-005140	28MAR11	RK
				APVD HMR



- 1. MUST BE KEPT BETWEEN [-Z-] AND 2mm.
- 2. THE MATING CAP HOUSING PART NUMBER ; 174518
- 3. APPLIED CONTACT PART NUMBER ; 173631, 173716, 173630, 175094
- 4. APPLICABLE PRODUCT SPECIFICATION NUMBER ; 108-5280

- 1. [-Z-] 面より 2mmの範囲で測定
- 2. 嵌合相手ハウジング型番 ; 174518
- 3. 内装するリセプタクルコンタクト型番 ; 173631, 173716, 173630, 175094
- 4. 適用製品規格番号 ; 108-5280

	YELLOW	174516-7
OBSOLETE	LIGHT GRAY	6-174516-6
	GRAY	174516-6
	BLACK	174516-2
	WHITE	174516-1
	COLOR	PART NUMBER

GENERAL TOLERANCE	
0<* < 10	: ±0.2
10<* < 30	: ±0.25
30<* < 100	: ±0.3
ANGLES	: ±3°

THIS DRAWING IS A CONTROLLED DOCUMENT.	
DIMENSIONS: mm	TOLERANCES UNLESS OTHERWISE SPECIFIED:
	0 PLC ± -
	1 PLC ± -
	2 PLC ± -
	3 PLC ± -
	4 PLC ± -
	ANGLES ± -
MATERIAL PBT	FINISH -

DWN T.SHINOHARA 09JUL10	TE Connectivity	
CHK K.BETSUI 09JUL10	NAME	
APVD K.BETSUI 09JUL10	HYBRID I/O CONNECTOR 26POSITION PLUG HOUSING	
PRODUCT SPEC SEE NOTE 4	SIZE A3	CAGE CODE 00779
APPLICATION SPEC	DRAWING NO C-174516	RESTRICTED TO -
WEIGHT -	SCALE 2:1	SHEET 1 OF 1
CUSTOMER DRAWING		REV E3

## X-ON Electronics

Largest Supplier of Electrical and Electronic Components

*Click to view similar products for [Headers & Wire Housings](#) category:*

*Click to view products by [TE Connectivity](#) manufacturer:*

Other Similar products are found below :

[892-18-020-10-001101](#) [58102-G61-06LF](#) [582553-1](#) [0009485154](#) [009176003701906](#) [0050291907](#) [LY20-4P-DT1-P1E-BR](#) [02.125.8002.8](#)  
[609-3404](#) [61062-3](#) [61082-181009](#) [622-3653LF](#) [63453-116](#) [636-1030](#) [636-1427](#) [636-3427](#) [636-4007](#) [641938-9](#) [641991-4](#) [644827-2](#) [65817-](#)  
[010LF](#) [65817-015LF](#) [65863-015LF](#) [66207-023LF](#) [67095-007LF](#) [67601157](#) [68645-018](#) [68648-049](#) [70.362.1628.0](#) [70-4210](#) [70-4226B](#) [70-](#)  
[4853B](#) [707-5020](#) [707-5028](#) [71.350.2428.0](#) [71918-208LF](#) [71961-016LF](#) [733-134](#) [733-162](#) [754199-000](#) [760-3052](#) [787-8014-00](#) [79531-3000](#)  
[FCN-360C032-B](#) [FCN-367T-T012/H](#) [FCN-723D010/2](#) [80.063.4001.1](#) [800-90-001-10-001000](#) [800-90-010-10-002000](#) [801-43-002-10-013000](#)