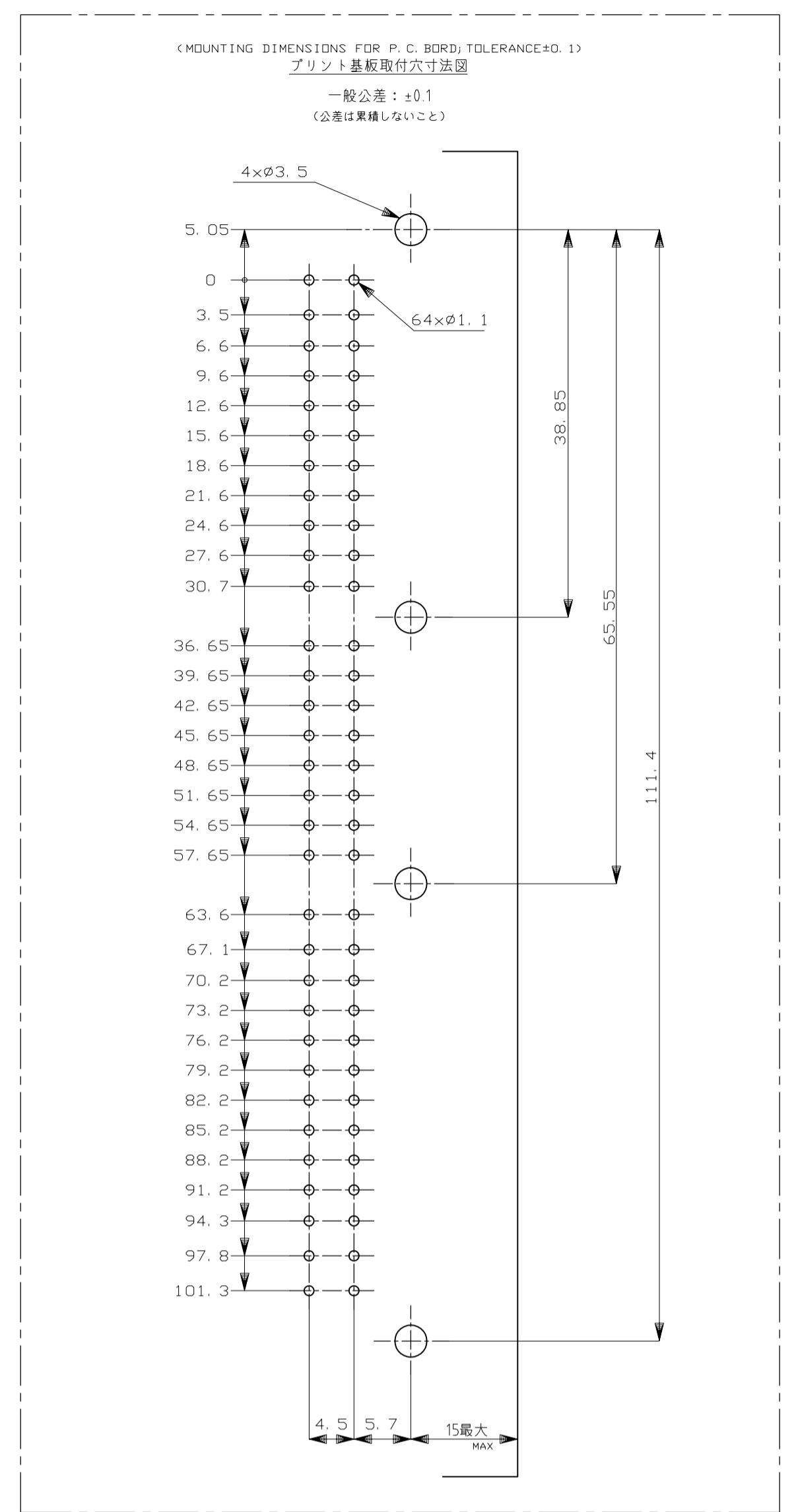
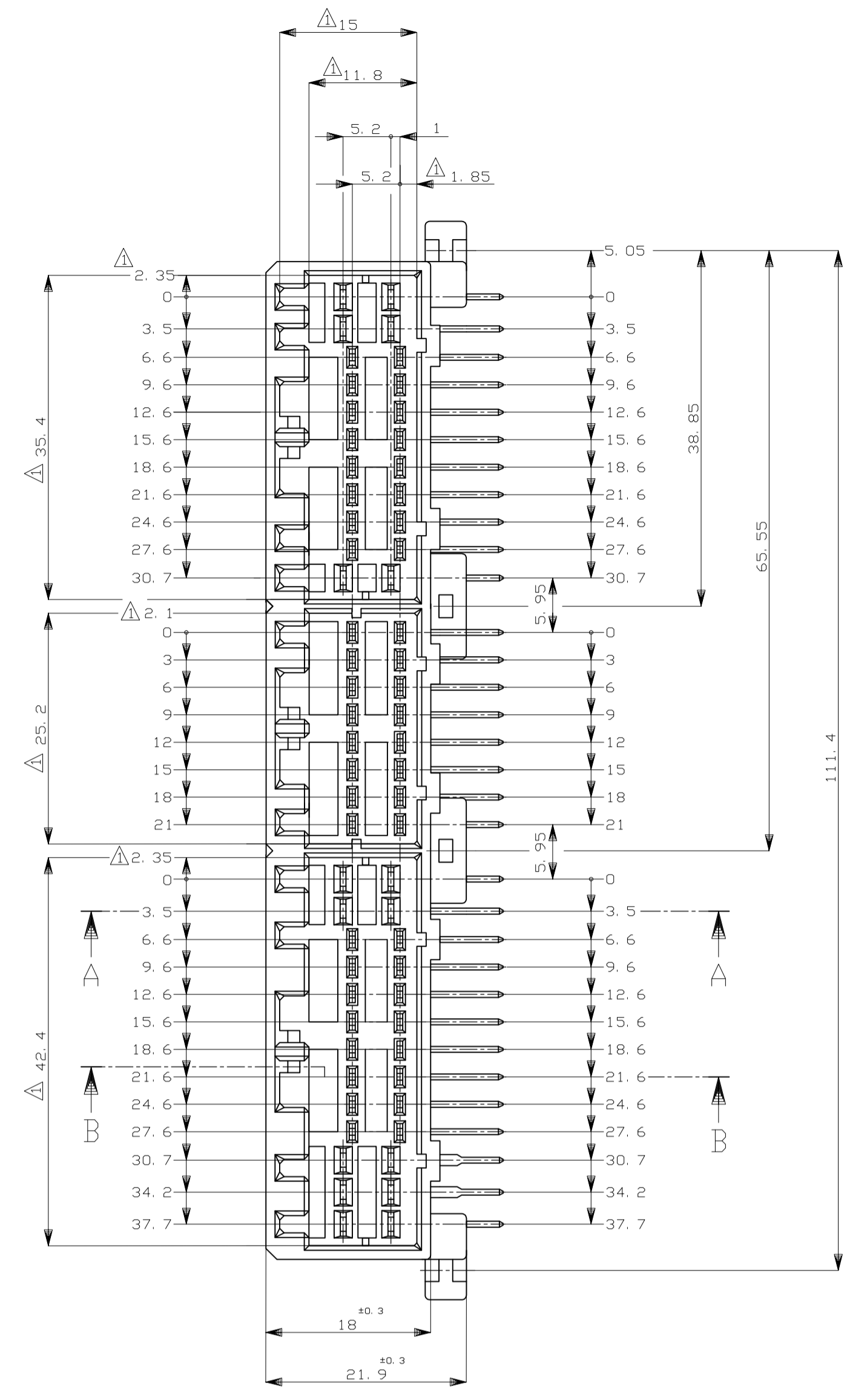
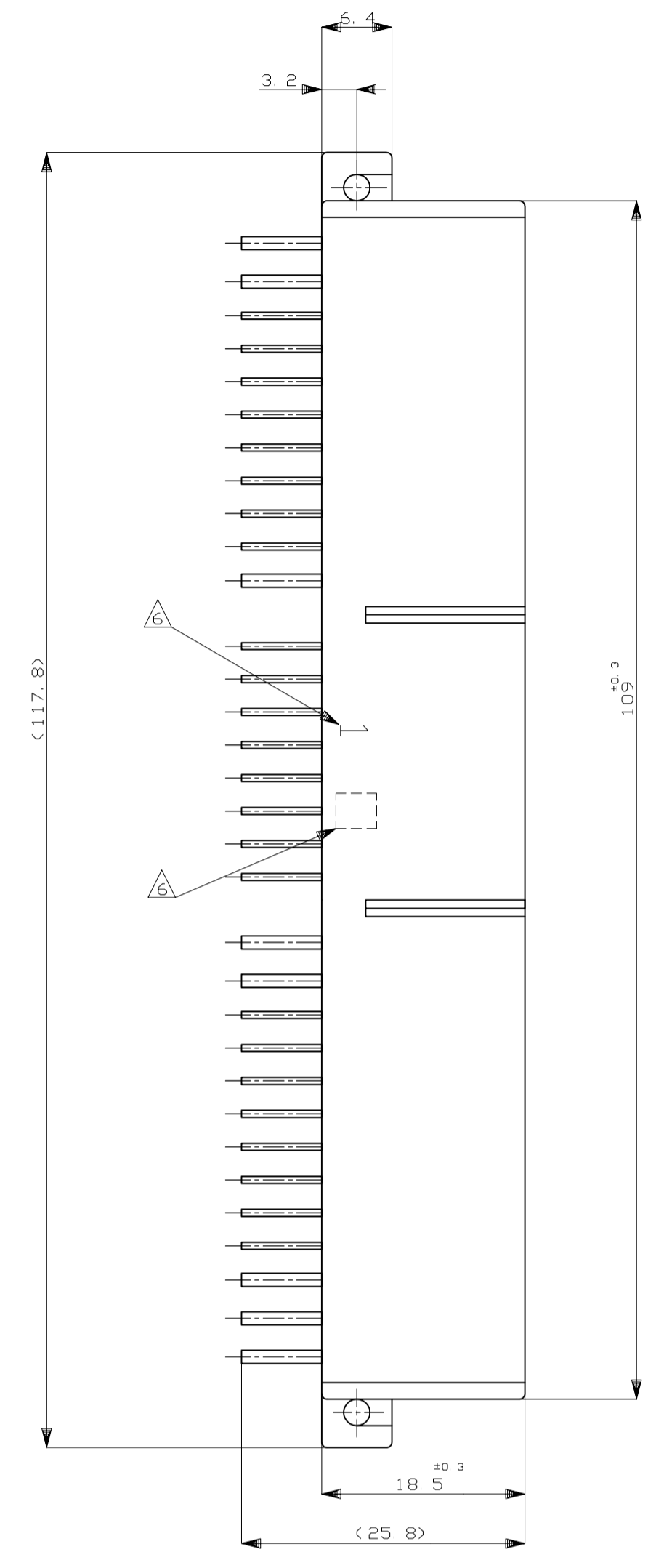
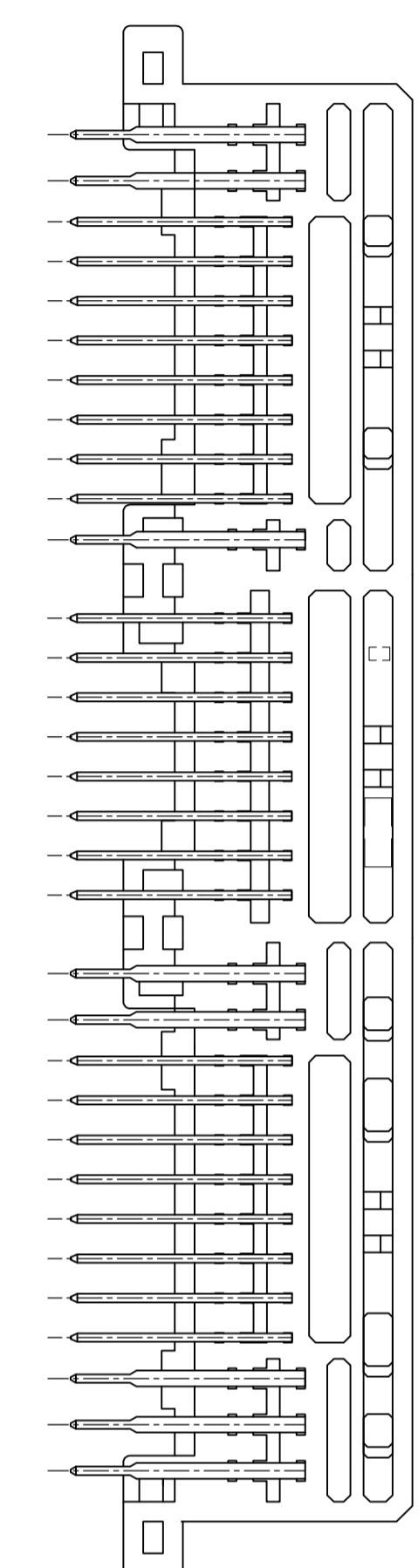
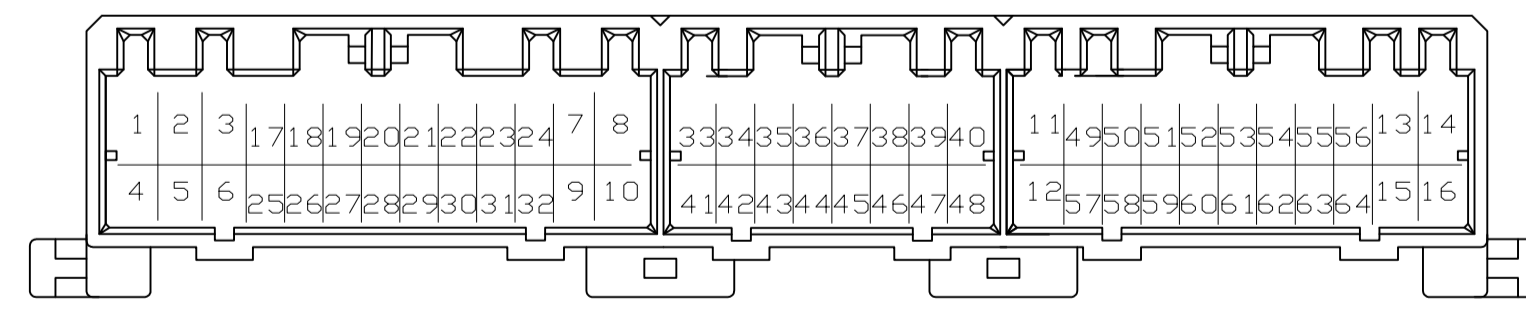


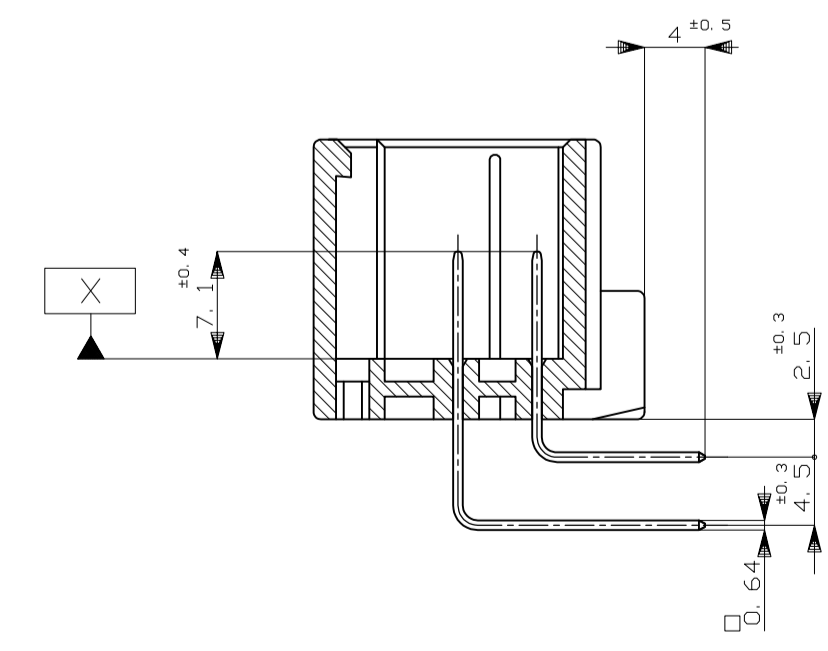
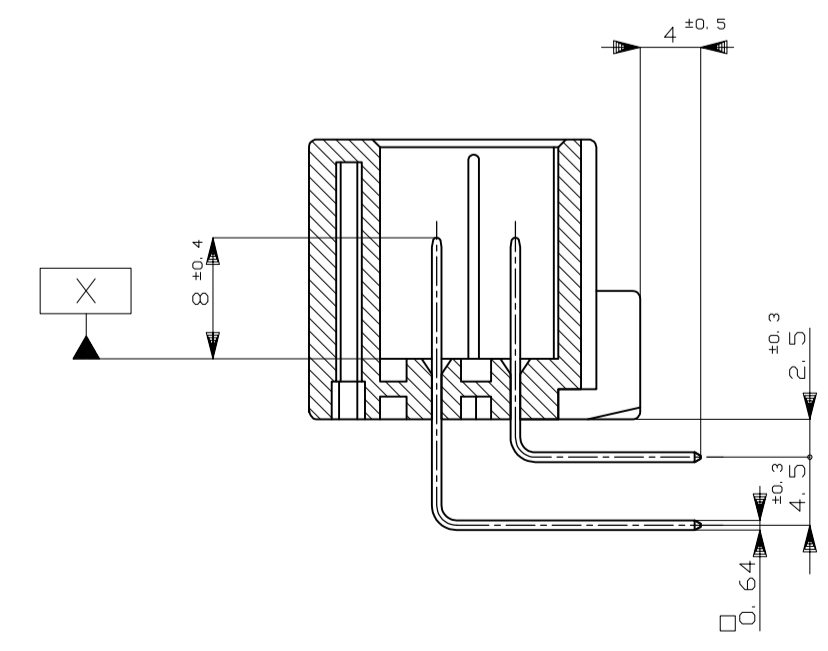
REVISIONS					
REV	DATE	DESCRIPTION	BY	CHK	APPV
H6	17AUG16	OBsolete 9--7	ECR-16-003196	KF	HY



- △ [X] 面から2mmの範囲で測定
- 2. 嵌合相手ハウジング型 174516, 174515, 174514, 917992, 917989, 917981
- 3. 推奨取付ねじ: JIS B1115, B1112 タップピンねじ, なべ2種
呼び径3, 長さ6mm以下 (締付けトルク: 0.4N-m (4kg-cm) 以下)
- 4. 適用製品規格番号: 108-5280, 108-5342
- △ 回路番号:
パワー回路 ①~⑬
シグナル回路 ⑰~④④



- △ 適用製品型番のプリフィックス及びIDマークを
カバーホットマークにて表示
- 1. MUST BE KEPT BETWEEN [X] AND 2
- 2. THE MATING PLUG HSG.PART NUMBER:174516, 174515, 174514, 917992, 917989, 917981
- 3. RECOMMENDED MOUNTING SCREW:3mmDIA,6mmLENGTH(MAX)
PAN HEAD,CLASS 2 TAPPING SCREW SPECIFIED IN JIS B1115,B1122
(TIGHTENING TORQUE:0.4N-m(4kg-cm) MAX.)
- 4. APPLICABLE PRODUCT SPEC NO.: 108-5280, 108-5342
- △ CIRCUIT NUMBER
POWER CIRCUIT NO. ①~⑬
SIGNAL CIRCUIT NO. ⑰~④④
- △ INDICATED PREFIX AND ID MARK OF PRODUCT P/N BY COLOR HOT MARK



REV	DESCRIPTION	DATE	BY	CHK	APPV
59	SELECTIVE-TIN (MATT) PRE-TIN x 56				
51	SELECTIVE-TIN (MATT) PRE-TIN x 64				
52	SELECTIVE-TIN (MATT) PRE-TIN x 48				
59	SELECTIVE-TIN (MATT) PRE-TIN x 8				
56	SELECTIVE-TIN (MATT) PRE-TIN x 9				
9	TIN-LEAD PRE-TIN x 8				
9	TIN-LEAD PRE-TIN x 56				
8	TIN-LEAD PRE-TIN x 12				
7	TIN-LEAD PRE-TIN x 16				
6	TIN-LEAD PRE-TIN x 9				
5	TIN-LEAD PRE-TIN x 24				
4	TIN-LEAD PRE-TIN x 22				
3	TIN-LEAD PRE-TIN x 52				
3	TIN-LEAD PRE-TIN x 52				
2	TIN-LEAD PRE-TIN x 16				
2	TIN-LEAD PRE-TIN x 48				
2	TIN-LEAD PRE-TIN x 16				
1	TIN-LEAD SELECTIVE GOLD x 64				
1	TIN-LEAD SELECTIVE GOLD x 64				
0	PRE-TIN x 64				
0	PRE-TIN x 64				

THIS DRAWING IS A CONTROLLED DOCUMENT.

DIN T. SHINOHARA 12FEB08
 CHK K. BETSUJI 12FEB08
 APPV K. BETSUJI 12FEB08

PRODUCT SPEC 取付用規格
 APPLICATION SPEC 取付用規格

SIZE A1
 WEIGHT 29.9 g
 CUSTOMER DRAWING

STE TE Connectivity
 64POSITION CAP HOUSING ASSEMBLY
 040/070 SERIES HYBRID I/O CONNECTOR

SCALE 2:1 SHEET 1 OF 1 REV H6

X-ON Electronics

Largest Supplier of Electrical and Electronic Components

Click to view similar products for [Automotive Connectors](#) category:

Click to view products by [TE Connectivity](#) manufacturer:

Other Similar products are found below :

[003-018-000](#) [60403001](#) [60993906-B](#) [M902-2131](#) [M902-2161](#) [M902-2344](#) [72.330.1035.1](#) [73.353.4028.0](#) [F119300-B](#) [F166900](#) [F258300-B](#)
[F358300-B](#) [F407400](#) [F444110](#) [F487000](#) [F509500B-B](#) [827153-1](#) [8N1515-32-24P](#) [9-1326729-8](#) [925474-1](#) [928905-1](#) [964562-4](#) [968782-1](#)
[GT17SA-8DS-HU](#) [98891-1012](#) [98947-1016](#) [12004147](#) [12004475-L](#) [12010290](#) [12010309-B](#) [12015454](#) [12020219-B](#) [12041318-B](#) [12052225-](#)
[L](#) [12052466](#) [12064869](#) [12004327-B](#) [12015308](#) [12015384](#) [12015909](#) [1-21030-1](#) [12041254](#) [12041318](#) [12047946-B](#) [12047957](#) [12047957-L](#)
[12059473](#) [12066261](#) [12110546](#) [12110546-B](#)