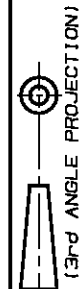


NUMBER
174520

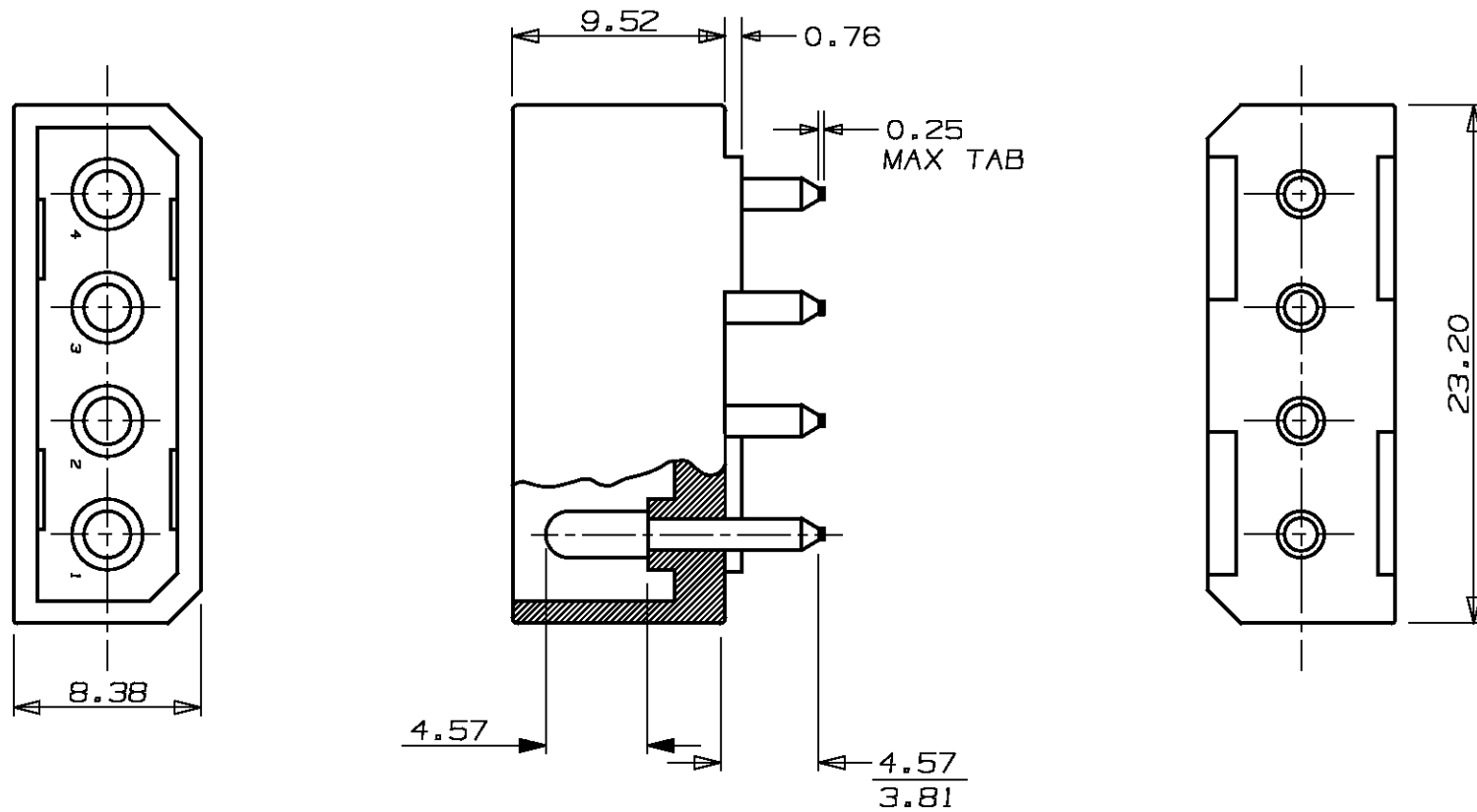


METRIC

CONFIDENTIAL INFORMATION

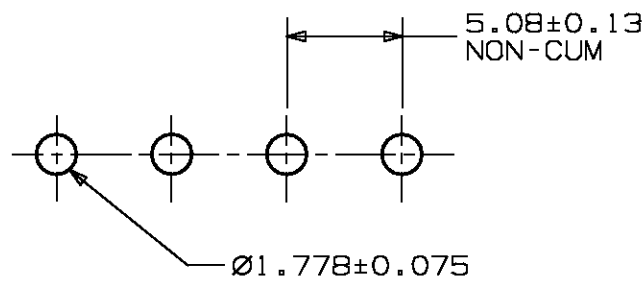
DIMENSIONS IN MM. DO NOT SCALE PRINT

PRINT DIST



NOTES

- 1 PARTS COMPLY WITH AMP SOLDERABILITY SPEC 109-11-3
- 2 CONTACT IS PLATED OVER ALL WITH 0.0013 NICKEL. THEN 0.00075 GOLD OVER CONTACT LENGTH INDICATED AND MATTE TIN ON SOLDER TAIL END.
- 3 PIN RETENTION IN HOUSING 6 LBS. MIN
- 4 OBSOLETE PARTS: OBSOLETE CIS STREAMLINING PER D.RENAUD/D.SINISI



RECOMMENDED PCB LAYOUT FOR 1.55mm THK PCB

PIN # OMITTED	QTY	FINISH	MATERIAL	QTY	COLOUR	MAT'L	PART NO.
4	2	PRE-TIN	CU ALLOY	1	NATURAL	NYLON	2-174520-2
		++	CU ALLOY	1	RED	NYLON	2-174520-1
		++	CU ALLOY	1	BROWN	NYLON	1-174520-1
		++	TIN LEAD	1	NATURAL	NYLON	174520-3
		++	△	1	NATURAL	NYLON	174520-2
		++	PRE-TIN	1	NATURAL	NYLON	174520-1
		PIN # 4		HOUSING		ASSEMBLY	

				Copyright ©1990		Copyright ©1990 AMP MANUFACTURING SINGAPORE PTE. LTD. ALL RIGHTS RESERVED.		AMP		AMP MANUFACTURING SINGAPORE PTE. LTD.	
				(WIRE RANGE)	(INSULATION DIA.)	(NAME)					
				mm ² (AWG -)	- mm \varnothing	HEADER ASSY, 4 CIRCUIT COMMERCIAL MATE-N-LOK					
				(MATERIAL)	(FINISH)	(GENERAL TOLERANCE)		SIZE	LOC	(No.)	
				SEE TABLE	SEE TABLE	0 - 30 ± 0.38		A3	DY	174520	
C1	REVISED PER ECO-09-022424	KK		03/09/09	DR. 30/10/90	DE. YS KOH		(SCALE)		REV. C1	SHEET 1 OF 1
c	REVISED FP00-0203-96	LWY	TAP	35EP96	CHK. EMILY	APP. D.MARTIN		3:1			
B	ECR 056/90 (REDRAWN)	EMILY	SALLY	20/10/90							
LTR	(REVISION RECORD)	DR	CHK	DATE							

CUSTOMER DRAWING

X-ON Electronics

Largest Supplier of Electrical and Electronic Components

Click to view similar products for [Pin & Socket Connectors](#) category:

Click to view products by [TE Connectivity](#) manufacturer:

Other Similar products are found below :

[6450822-1](#) [770392-1](#) [794042-1](#) [796885-1](#) [8-794535-1](#) [PLR3455ACS-222](#) [R929991004](#) [R929993003](#) [1403611-1](#) [1-480349-5](#) [152302-5](#)
[153211-2](#) [1586092-1](#) [1586129-1](#) [1586681-4](#) [1586700-1](#) [1586368-1](#) [1586380-1](#) [1586616-1](#) [1586680-5](#) [16-06-0038](#) [164164-5](#) [1-6609930-1](#)
[172296-1](#) [19-09-2035](#) [200503-1](#) [200788-2](#) [2029090-4](#) [2029095-4](#) [925061-7](#) [293734-4](#) [293737-2](#) [1-765362-4](#) [1871534-1](#) [200833-4](#)
[2008625-2](#) [2029027-2](#) [2029096-4](#) [R929991000](#) [R929991002](#) [R929993000](#) [319-10-101-00-005000](#) [319-10-102-00-001000](#) [319-10-104-00-001000](#) [319-10-105-00-001000](#) [319-10-108-00-001000](#) [319-10-112-00-006000](#) [39-01-8019](#) [319-10-101-00-001000](#) [319-10-102-00-005000](#)