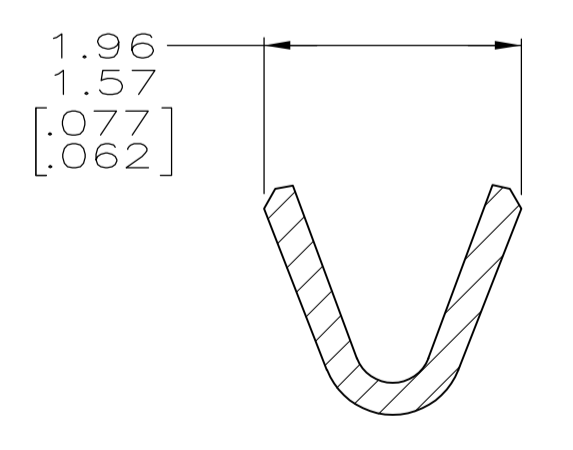


SECTION X-X
INSULATION BARREL
SCALE 20:1



SECTION Y-Y
WIRE BARREL
SCALE 20:1

1. FOR MINI-APPLICATOR CRIMPING.
2. WIRE RANGE IS 22-26 AWG AND INSULATION RANGE IS 1.02/1.27 [.040/.050].
3. PLATED WITH 0.76µm [.000030] GOLD ON INSIDE OF LOCALIZED GOLD PLATE AREA, GOLD FLASH ON ZONE 1, ALL OVER 1.27µm [.000050] NICKEL UNDERPLATE.
-OR-
GOLD FLASH OVER PALLADIUM-NICKEL 0.76µm [.000030] TOTAL ON INSIDE OF LOCALIZED GOLD PLATE AREA, GOLD FLASH ON ZONE 1, ALL OVER 1.27µm [.000050] NICKEL UNDERPLATE.
4. GOLD FLASH PER MIL-G-45204 ON INSIDE OF LOCALIZED GOLD PLATE AREA, GOLD FLASH PER MIL-G-45204 ON ZONE 1, ALL OVER 0.76µm [.000030] NICKEL UNDERPLATE PER QQ-N-290.
5. 0.025µm [.000001] MIN GOLD PER MIL-G-45204 ON MATING END FOR A LENGTH OF 2.54 [.100] MIN., TIN PLATED WIRE BARRELS, ALL OVER 0.76µm [.000030] NICKEL PER QQ-N-290.
6. SELECTIVE GOLD PLATED 0.76µm [.000030] THICK PER MIL-G-45204 ON MATING END FOR A LENGTH OF 2.54 [.100] MIN., TIN PLATED WIRE BARRELS, ALL OVER 1.27µm [.000050] NICKEL PER QQ-N-290.
7. COLOR CODE YELLOW IN THIS AREA INDICATES 22-26 AWG WIRE RANGE. ONLY LOOSE PIECE PART NUMBERS ARE COLOR CODED.
8. GOLD PLATING MAY NOT APPEAR ON CARRIER STRIP.

OBSOLETE	STANDARD	6	LOOSE PIECE	1	1-745253-6
OBSOLETE	STANDARD	6	STRIP	1	1-745253-4
OBSOLETE	STANDARD	5	LOOSE PIECE	1	1-745253-3
OBSOLETE	STANDARD	5	STRIP	1	1-745253-1
	STANDARD	4	LOOSE PIECE		745253-7
	STANDARD	3	LOOSE PIECE		745253-6
	STANDARD	4	STRIP	1	745253-3
	STANDARD	3	STRIP	1	745253-2
	PACKAGING TYPE	FINISH	TYPE		PART NUMBER

THIS DRAWING IS A CONTROLLED DOCUMENT. DIMENSIONING AND TOLERANCING PER ASME Y14.5M-2009.

DIN S. WELDON 11-3-80
CIRK J. GERACE 11-5-80

APVD R. BAER 11-10-80

NAME: SOCKET CONTACT, SIZE 20 DF, 22-26 AWG, W/.040-.050 DIA INSULATION SUPPORT

PRODUCT SPEC: 108-40005

APPLICATION SPEC: 114-10000

MATERIAL: PHOS. BRONZE PER FINISH: SEE TABLE

WEIGHT: -

SIZE: A1

SCALE: 15:1

SHEET: 1 OF 1

REV: M

CUSTOMER DRAWING

STE TE Connectivity

X-ON Electronics

Largest Supplier of Electrical and Electronic Components

Click to view similar products for [D-Sub Contacts](#) category:

Click to view products by [TE Connectivity](#) manufacturer:

Other Similar products are found below :

[173112-0723](#) [173112-0393](#) [173112-0389](#) [173112-0750](#) [173112-0912](#) [D02-22-22P-10000](#) [D02-22-26S-10000](#) [FMP009P104](#) [FMP010P104](#)
[FMP010S104](#) [FMP016P104](#) [FMP051S110](#) [FMX006S128B](#) [131A11039X](#) [131J21029X](#) [132J22039X](#) [132A11029X](#) [132A11049X](#)
[132C12029X](#) [RMPIR01S02E2RLF](#) [DM53744-1](#) [1757912-1](#) [188582-000](#) [162A11839X](#) [162A11889X](#) [1757913-1](#) [FMP006S110](#)
[FMP008P104](#) [FMP009S104](#) [FMP139S115](#) [212558-1](#) [D02-22-26P-10000](#) [L17DM53744217](#) [030-1955-000](#) [030-50634](#) [053744-0098](#)
[601064N004](#) [601098N003](#) [6-745288-2](#) [D-610-10CS2962](#) [86303057NLF](#) [DM537425001NCLF](#) [173112-0045](#) [162A11819X](#) [1731120397](#) [40-](#)
[9854MP](#) [1-208778-5](#) [1-745288-3](#) [173112-0455](#) [121A05329A](#)