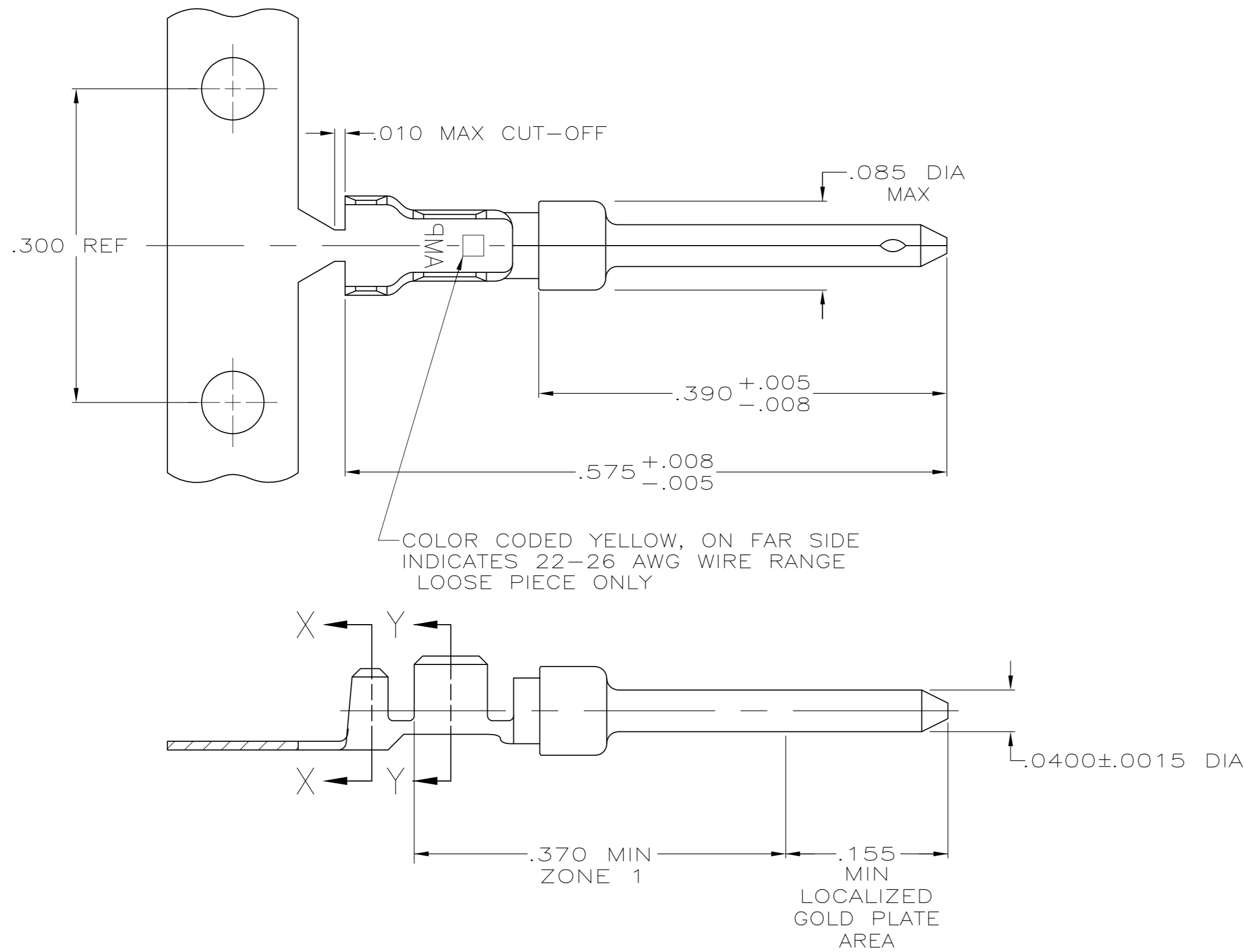
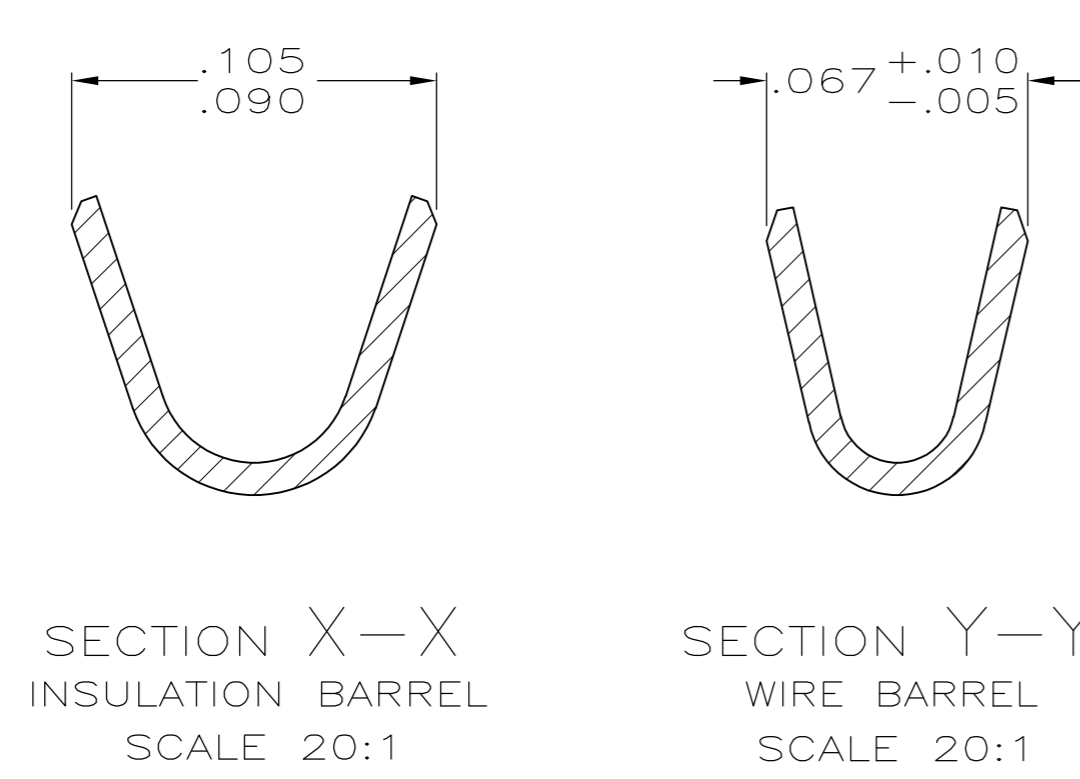


THIS DRAWING IS UNPUBLISHED. RELEASED FOR PUBLICATION
 © COPYRIGHT - By - ALL RIGHTS RESERVED.

| LOC | DIST | REVISIONS | | | | | |
|-----|------|-----------|-----|---------------------------|-----------|-----|------|
| GP | 00 | P | LTR | DESCRIPTION | DATE | DWN | APVD |
| | | L | | REVISED PER ECO-12-021696 | 27FEB2013 | CJV | SLB |



- 1 FOR MINI-APPLICATOR.
- 2 FOR HAND TOOL USE ONLY.
- 3. WIRE RANGE OF 22-26, INSULATION RANGE OF .040-.050.
- 4. GOLD PLATING MAY NOT APPEAR ON CARRIER STRIP. NICKEL UNDERPLATE COVERS ENTIRE CONTACT.
- 5 GOLD PLATING PER MIL-G-45204. NICKEL PLATING PER QQ-N-290. TIN PLATING PER MIL-T-10727.
- 6 GOLD PLATED IN LOCALIZED GOLD PLATE AREA AS FOLLOWS: .000030 MIN GOLD IN MATED AREA, GOLD FLASH ON REMAINDER OF LOCALIZED GOLD PLATE AREA AND ZONE 1 OF CONTACT, ALL OVER .000050 MIN NICKEL UNDERPLATE.
OR
GOLD FLASH OVER PALLADIUM-NICKEL PLATE, .000030 MIN TOTAL IN MATED AREA, GOLD FLASH ON REMAINDER OF LOCALIZED GOLD PLATE AREA AND ZONE 1 OF CONTACT, ALL OVER .000050 MIN NICKEL UNDERPLATE.
- 7 .000001 MIN GOLD ON LOCALIZED GOLD PLATE AREA AND ZONE 1 OVER .000030 MIN NICKEL.
- 8 GOLD PLATED IN LOCALIZED GOLD PLATED AREA, .000001 MIN GOLD IN MATED AREA, TIN PLATED WIRE BARRELS, OVER .000030 NICKEL.
- 9 GOLD PLATED IN LOCALIZED GOLD PLATED AREA, .000030 GOLD IN MATED AREA, TIN PLATED WIRE BARRELS, OVER .000050 NICKEL.



| OBSELETE | SMALL PACK | 7 | 2 | LOOSE PIECE | 1-745254-7 |
|----------|----------------|--------|-----|-------------|-------------|
| OBSELETE | STANDARD | 9 | 2 | LOOSE PIECE | 1-745254-6 |
| OBSELETE | STANDARD | 9 | 1 | STRIP | 1-745254-4 |
| OBSELETE | STANDARD | 8 | 2 | LOOSE PIECE | 1-745254-3 |
| OBSELETE | STANDARD | 8 | 1 | STRIP | 1-745254-1 |
| | STANDARD | 7 | 2 | LOOSE PIECE | 745254-7 |
| | STANDARD | 6 | 2 | LOOSE PIECE | 745254-6 |
| | STANDARD | 7 | 1 | STRIP | 745254-3 |
| | STANDARD | 6 | 1 | STRIP | 745254-2 |
| | PACKAGING TYPE | FINISH | USE | TYPE | PART NUMBER |

| | | | | | |
|--|--|----------------------------|--|-----------------|---------------------|
| THIS DRAWING IS A CONTROLLED DOCUMENT. DIMENSIONING AND TOLERANCING PER ASME Y14.5M-2009 | | DWN S.WELDON 9-9-86 | TE Connectivity | | |
| TOLERANCES UNLESS OTHERWISE SPECIFIED: | | CHK C.RICHARD 9-9-86 | | | |
| DIMENSIONS: INCHES | 0 PLC ± - 1 PLC ± - 2 PLC ± - 3 PLC ± .005 4 PLC ± - ANGLES ± - | APVD V. KUMAR 9-10-86 | NAME | | |
| | | PRODUCT SPEC | PIN CONTACT, SIZE 20 DF, 22-26 AWG, W/.040-.050 DIA INSULATION SUPPORT | | |
| MATERIAL BRASS PER MIL-C-50 | FINISH 5 SEE TABLE | APPLICATION SPEC 114-10000 | SIZE A2 | CAGE CODE 00779 | DRAWING NO C=745254 |
| | | WEIGHT - | RESTRICTED TO - | SCALE 10:1 | SHEET 1 of 1 |
| | | CUSTOMER DRAWING | | | REV L |

X-ON Electronics

Largest Supplier of Electrical and Electronic Components

Click to view similar products for [D-Sub Contacts](#) category:

Click to view products by [TE Connectivity](#) manufacturer:

Other Similar products are found below :

[173112-0723](#) [173112-0393](#) [173112-0389](#) [173112-0750](#) [173112-0912](#) [D02-22-22P-10000](#) [D02-22-26S-10000](#) [FMP009P104](#) [FMP010P104](#)
[FMP010S104](#) [FMP016P104](#) [FMP051S110](#) [FMX006S128B](#) [131A11039X](#) [131J21029X](#) [132J22039X](#) [132A11029X](#) [132A11049X](#)
[132C12029X](#) [RMPIR01S02E2RLF](#) [DM53744-1](#) [1757912-1](#) [188582-000](#) [162A11839X](#) [162A11889X](#) [1757913-1](#) [FMP006S110](#)
[FMP008P104](#) [FMP009S104](#) [FMP139S115](#) [212558-1](#) [D02-22-26P-10000](#) [L17DM53744217](#) [030-1955-000](#) [030-50634](#) [053744-0098](#)
[601064N004](#) [601098N003](#) [6-745288-2](#) [D-610-10CS2962](#) [86303057NLF](#) [DM537425001NCLF](#) [173112-0045](#) [162A11819X](#) [1731120397](#) [40-](#)
[9854MP](#) [1-208778-5](#) [1-745288-3](#) [173112-0455](#) [121A05329A](#)