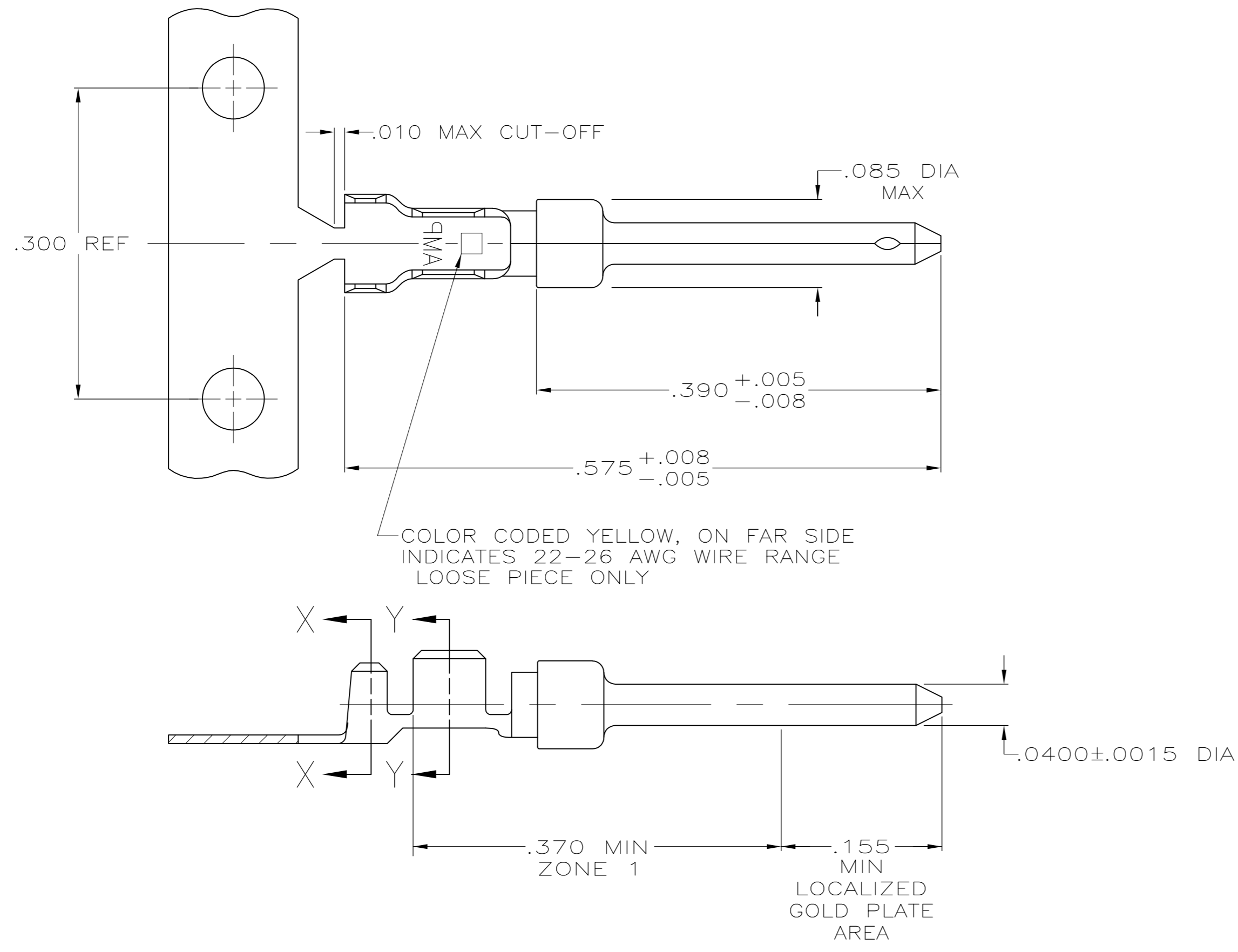


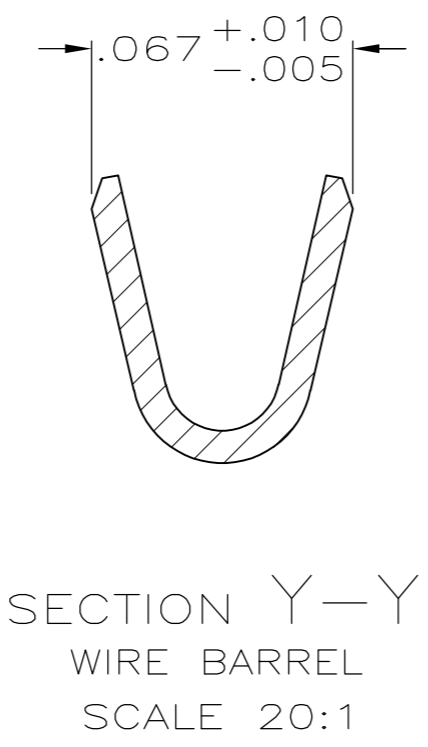
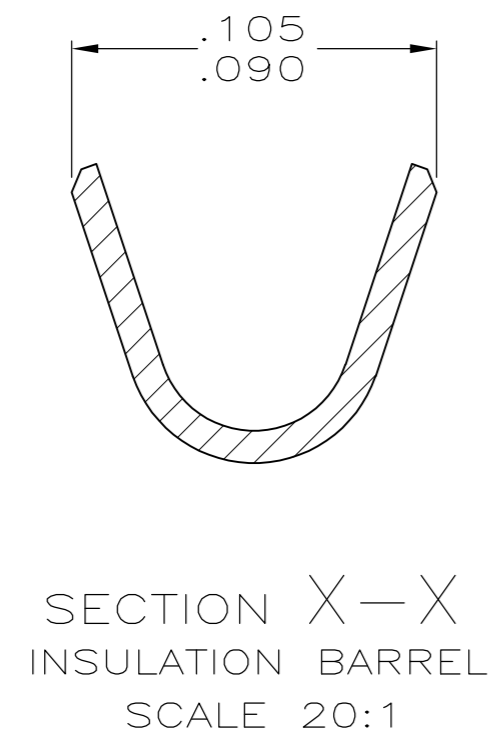
THIS DRAWING IS UNPUBLISHED. RELEASED FOR PUBLICATION
 © COPYRIGHT - By - ALL RIGHTS RESERVED.

LOC	DIST	REVISIONS					
GP	00	P	LTR	DESCRIPTION	DATE	DWN	APVD
		L		REVISED PER ECO-12-021696	27FEB2013	CJV	SLB



- 1 FOR MINI-APPLICATOR.
- 2 FOR HAND TOOL USE ONLY.
- 3. WIRE RANGE OF 22-26, INSULATION RANGE OF .040-.050.
- 4. GOLD PLATING MAY NOT APPEAR ON CARRIER STRIP. NICKEL UNDERPLATE COVERS ENTIRE CONTACT.
- 5 GOLD PLATING PER MIL-G-45204. NICKEL PLATING PER QQ-N-290. TIN PLATING PER MIL-T-10727.
- 6 GOLD PLATED IN LOCALIZED GOLD PLATE AREA AS FOLLOWS: .000030 MIN GOLD IN MATED AREA, GOLD FLASH ON REMAINDER OF LOCALIZED GOLD PLATE AREA AND ZONE 1 OF CONTACT, ALL OVER .000050 MIN NICKEL UNDERPLATE.
OR
GOLD FLASH OVER PALLADIUM-NICKEL PLATE, .000030 MIN TOTAL IN MATED AREA, GOLD FLASH ON REMAINDER OF LOCALIZED GOLD PLATE AREA AND ZONE 1 OF CONTACT, ALL OVER .000050 MIN NICKEL UNDERPLATE.
- 7 .000001 MIN GOLD ON LOCALIZED GOLD PLATE AREA AND ZONE 1 OVER .000030 MIN NICKEL.
- 8 GOLD PLATED IN LOCALIZED GOLD PLATED AREA, .000001 MIN GOLD IN MATED AREA, TIN PLATED WIRE BARRELS, OVER .000030 NICKEL.
- 9 GOLD PLATED IN LOCALIZED GOLD PLATED AREA, .000030 GOLD IN MATED AREA, TIN PLATED WIRE BARRELS, OVER .000050 NICKEL.

OBSELETE	SMALL PACK	7	2	LOOSE PIECE	1-745254-7
OBSELETE	STANDARD	9	2	LOOSE PIECE	1-745254-6
OBSELETE	STANDARD	9	1	STRIP	1-745254-4
OBSELETE	STANDARD	8	2	LOOSE PIECE	1-745254-3
OBSELETE	STANDARD	8	1	STRIP	1-745254-1
	STANDARD	7	2	LOOSE PIECE	745254-7
	STANDARD	6	2	LOOSE PIECE	745254-6
	STANDARD	7	1	STRIP	745254-3
	STANDARD	6	1	STRIP	745254-2
PACKAGING TYPE	FINISH	USE	TYPE	PART NUMBER	



THIS DRAWING IS A CONTROLLED DOCUMENT. DIMENSIONING AND TOLERANCING PER ASME Y14.5M-2009

DWN S.WELDON 9-9-86
 CHK C.RICHARD 9-9-86
 APVD V. KUMAR 9-10-86
 PRODUCT SPEC
 APPLICATION SPEC 114-10000
 WEIGHT -
 MATERIAL BRASS PER MIL-C-50
 FINISH 5 SEE TABLE

TE Connectivity
 PIN CONTACT, SIZE 20 DF, 22-26 AWG, W/.040-.050 DIA INSULATION SUPPORT

SIZE A2 CAGE CODE 00779 DRAWING NO C=745254 RESTRICTED TO -
 SCALE 10:1 SHEET 1 of 1 REV L

X-ON Electronics

Largest Supplier of Electrical and Electronic Components

Click to view similar products for [D-Sub Contacts](#) category:

Click to view products by [TE Connectivity](#) manufacturer:

Other Similar products are found below :

[173112-0723](#) [173112-0393](#) [173112-0389](#) [173112-0750](#) [173112-0912](#) [D02-22-22P-10000](#) [D02-22-26S-10000](#) [FMP009P104](#) [FMP010P104](#)
[FMP010S104](#) [FMP016P104](#) [FMP051S110](#) [FMX006S128B](#) [131A11039X](#) [131J21029X](#) [132J22039X](#) [132A11029X](#) [132A11049X](#)
[132C12029X](#) [RMPIR01S02E2RLF](#) [DM53744-1](#) [1757912-1](#) [188582-000](#) [162A11839X](#) [162A11889X](#) [1757913-1](#) [FMP006S110](#)
[FMP008P104](#) [FMP009S104](#) [FMP139S115](#) [212558-1](#) [D02-22-26P-10000](#) [L17DM53744217](#) [030-1955-000](#) [030-50634](#) [053744-0098](#)
[601064N004](#) [601098N003](#) [6-745288-2](#) [D-610-10CS2962](#) [86303057NLF](#) [DM537425001NCLF](#) [173112-0045](#) [162A11819X](#) [1731120397](#) [40-](#)
[9854MP](#) [1-208778-5](#) [1-745288-3](#) [173112-0455](#) [121A05329A](#)